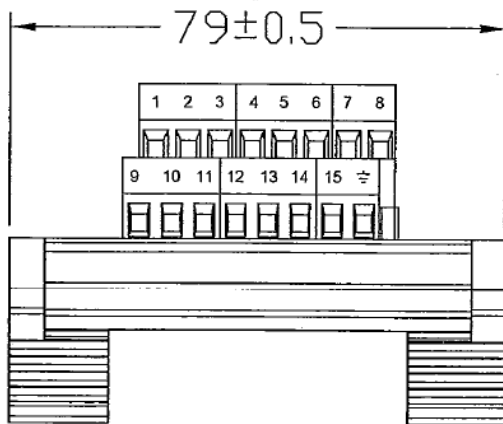
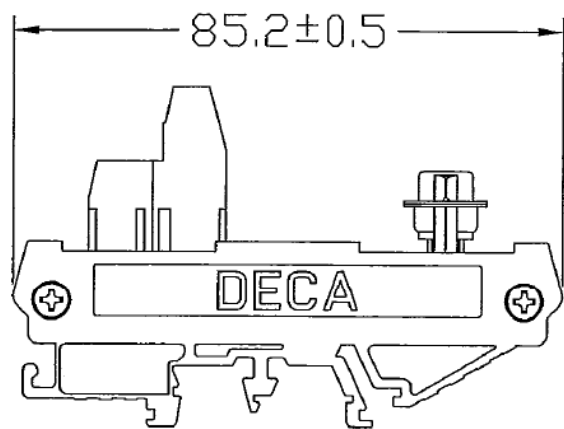


Green Color

(A) \*



(B) \*



CONFIRMED & ACCEPTED BY

Distributed by Conrad Electronic SE

DECA

PART NO.	MOD-15-F	VERSION	B	CONFIRMED BY	<i>Widomke</i>
SHEET OF	2/2	METRIC	MM	DRAWN BY	<i>alan</i>
		DATE	2010/12/29	GENERAL MANAGER	<i>J. Ellis</i>