

# W23-X1A1G-35 ✓ ACTIVE

Potter & Brumfield | Potter & Brumfield W23-31

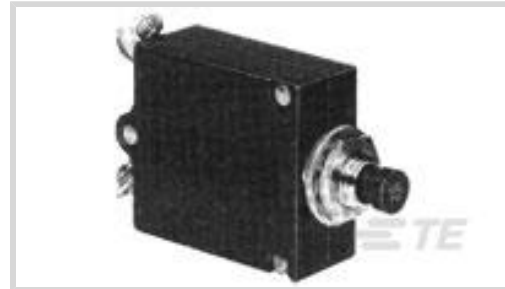
TE Internal #: 7-1393246-2

Potter & Brumfield W23-31, Circuit Breakers, Thermal, Series Trip, Blk w/White Amp Rate Mark & White Trip Band Button Color, 240VAC Voltage Rating AC

[View on TE.com >](#)



Relays, Contactors & Switches > Circuit Breakers



Circuit Breaker Type: **Thermal**

Circuit Function: **Series Trip**

Illuminated: **No**

Button Color: **Blk w/White Amp Rate Mark & White Trip Band**

Voltage Rating AC: **240 VAC**

## Features

### Product Type Features

|                       |                  |
|-----------------------|------------------|
| Circuit Breaker Style | Push-Pull Button |
| Illumination Type     | No Light         |
| Product Type          | Circuit Breaker  |
| Actuator Type         | Push-Pull        |
| Circuit Breaker Type  | Thermal          |
| Illuminated           | No               |

### Configuration Features

|                  |                           |
|------------------|---------------------------|
|                  | .375 – .386 (Diameter) in |
| Earthing Switch  | Without                   |
| Circuit Function | Series Trip               |

### Electrical Characteristics

|                                |                         |
|--------------------------------|-------------------------|
| Voltage Rating AC              | 240 VAC                 |
| Voltage Rating DC              | 50 VDC                  |
| Circuit Breaker Current Rating | 35 A                    |
| Interrupt Capacity             | 1000A @ 50VDC or 240VAC |

### Body Features

|              |   |
|--------------|---|
| Button Color | Blk w/White Amp Rate Mark & White Trip Band |
|--------------|---|



### Contact Features

|                    |                |
|--------------------|----------------|
| Pole Configuration | 1              |
| Trip Time at 200%  | 6 – 22 seconds |

### Termination Features

|                                  |                               |
|----------------------------------|-------------------------------|
| Circuit Breaker Termination Type | 8-32 Screws 90° to Each Other |
|----------------------------------|-------------------------------|

### Mechanical Attachment

|                               |  |
|-------------------------------|--|
| Mounting Hardware Packaging   | Assembled to Bushing   |
| Mounting Options              | Two Hex Nuts/Lockwasher                                      |
| Mounting Bushing              | 3/8-24 Threaded Bushing .375" [9.53mm]<br>Long, Silver Color |
| Circuit Breaker Mounting Type | Panel Mount  |

### Product Compliance

[For compliance documentation, visit the product page on TE.com>](#)

|   |   |
|---|---|
| EU RoHS Directive 2011/65/EU                  | Compliant   |
| EU ELV Directive 2000/53/EC                   | Not Compliant   |
| China RoHS 2 Directive MIIT Order No 32, 2016 | No Restricted Materials Above Threshold   |
| EU REACH Regulation (EC) No. 1907/2006        | Current ECHA Candidate List: JAN 2021 (211)<br>Candidate List Declared Against: JAN 2021 (211)<br>SVHC > Threshold:<br>Cadmium oxide (5.1% in Component)<br><b>Article Safe Usage Statements:</b><br>Use personal protective equipment as required. Do not eat, drink or smoke when using this product. Recycle if possible and dispose of the article by following all applicable governmental regulations relevant to your geographic location. |
| Halogen Content                               | Low Halogen - Br, Cl, F, I < 900 ppm per homogenous material. Also BFR/CFR/PVC Free   |
| Solder Process Capability                     | Not applicable for solder process capability  |

#### Product Compliance Disclaimer

This information is provided based on reasonable inquiry of our suppliers and represents our current actual knowledge based on the information they provided. This information is subject to change. The part numbers that TE has identified as EU RoHS compliant have a maximum concentration of 0.1% by weight in homogenous materials for lead, hexavalent chromium, mercury, PBB, PBDE, DBP, BBP, DEHP, DIBP, and 0.01% for cadmium, or qualify for an exemption to these limits as defined in the Annexes of Directive 2011/65/EU (RoHS2). Finished electrical and electronic equipment products will be CE marked as required by Directive 2011/65/EU. Components may not be CE marked. Additionally, the part numbers that TE has identified as EU ELV compliant have a maximum concentration of 0.1% by weight in homogenous materials for lead, hexavalent chromium, and mercury, and 0.01% for cadmium, or qualify for an exemption to these limits as defined in the Annexes of Directive 2000/53/EC (ELV). Regarding the REACH Regulation, the information TE provides on SVHC in articles for this part number is based on the latest European Chemicals Agency (ECHA) 'Guidance on requirements for substances in articles' posted at this URL: <https://echa.europa.eu/guidance-documents/guidance-on-reach>

## Compatible Parts



TE Part # CAT-P592-SP118  
PIDG SPADE TONGUE TERMINALS



TE Part # 7-1393246-1  
W23-X1A1G-30=W23/W31

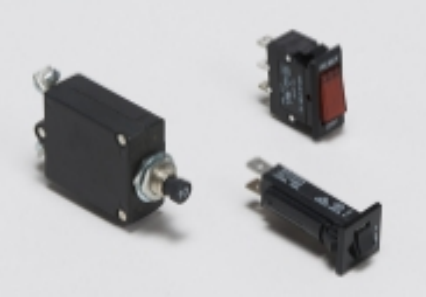


TE Part # 7-1393246-4  
W23-X1A1G-40=W23/W31



TE Part # CAT-P592-R472A  
PIDG RING TONGUE TERMINALS

## Also in the Series | Potter & Brumfield W23-31



Circuit Breakers(34)

## Customers Also Bought



TE Part #2-320569-5  
PIDG RING TONGUE TERMINALS



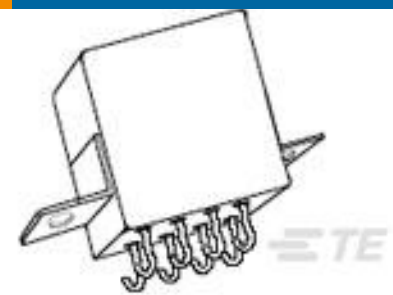
TE Part #20009605-21  
Compact Compression Load Cell



TE Part #1051644-1  
2031 5003 02



TE Part #121397P024  
ES2000-NO.3-B8-0-STK



TE Part #2-1617749-4  
FCA-210-1026M=M83536/10-026M



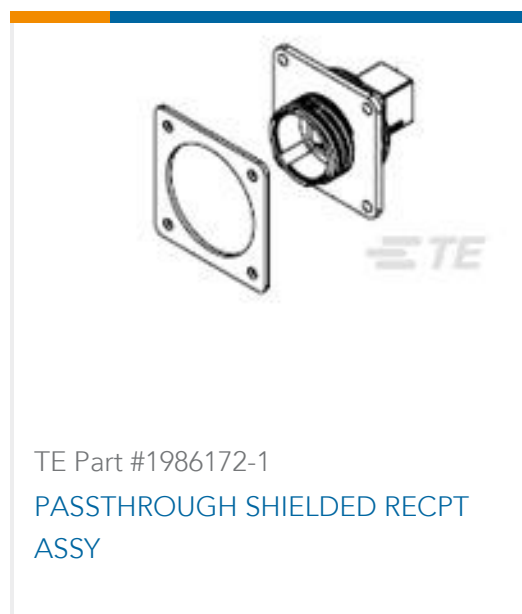
TE Part #1053634-1  
2081 0000 00



TE Part #DTS26W15-19PA  
D38999: Straight Plug, 15-19 Insert



TE Part #2-1904058-5  
V23700C0001A408-EV-CBOX



## Documents

### CAD Files

[3D PDF](#)

[3D](#)

#### Customer View Model

[ENG\\_CVM\\_CVM\\_7-1393246-2\\_A\\_c-7-1393246-2-a.2d\\_dxf.zip](#)

English

#### Customer View Model

[ENG\\_CVM\\_CVM\\_7-1393246-2\\_A\\_c-7-1393246-2-a.3d\\_igs.zip](#)

English

#### Customer View Model

[ENG\\_CVM\\_CVM\\_7-1393246-2\\_A\\_c-7-1393246-2-a.3d\\_stp.zip](#)

English

By downloading the CAD file I accept and agree to the [Terms and Conditions](#) of use.

### Datasheets & Catalog Pages

[W23/W31 Series Datasheet](#)

English

[W23/31 Toggle or Push/Pull Actuator Thermal Circuit Breaker](#)

English

[Industrial Relays Quick Reference Guide](#)

English

[Industrial Relays Quick Reference Guide](#)

Japanese

[Industrial Relays Quick Reference Guide](#)