

PART No MATRIX

Y	0	X	0	0	6	X	X	X	X	X	X	X	X	X
---	---	---	---	---	---	---	---	---	---	---	---	---	---	---

Y0= ULTRA LOCK 2.0 SINGLE ENDED

POLES:
3 = 3 POLES
4 = 4 POLES
5 = 5 POLES

HEADER:
006= MALE STR

CABLE:
E03 - 3/4/5x0.34 PVC BLACK
B30 - 3/4/5x0.34 WSOR BLACK
H09 - 3/4/5x0.34 PUR-LS0H BLACK

UNIT:
M = METER
F = FEET
C = CENTIMETER
T = 10M

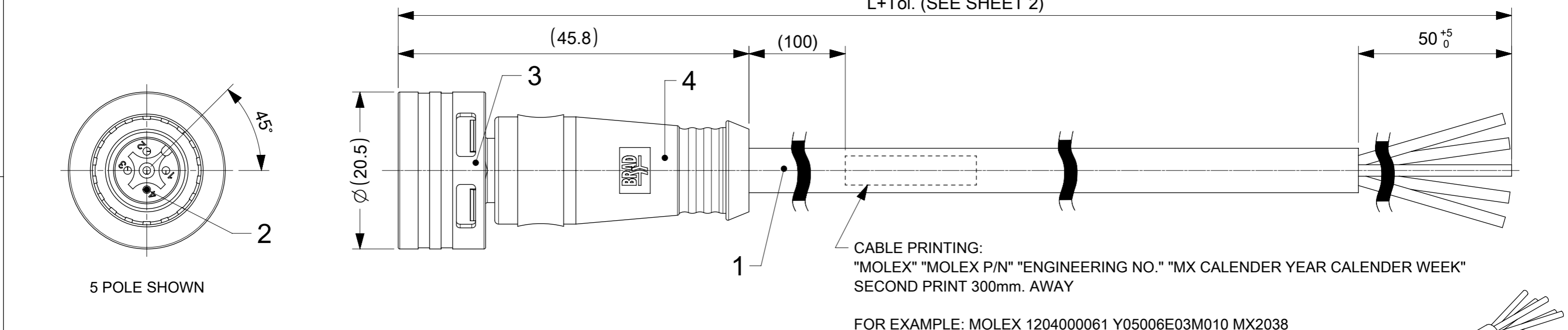
LENGTH:
EXAMPLE:
010 = 1 m
050 = 5 m
100 = 10 m

OPTIONS

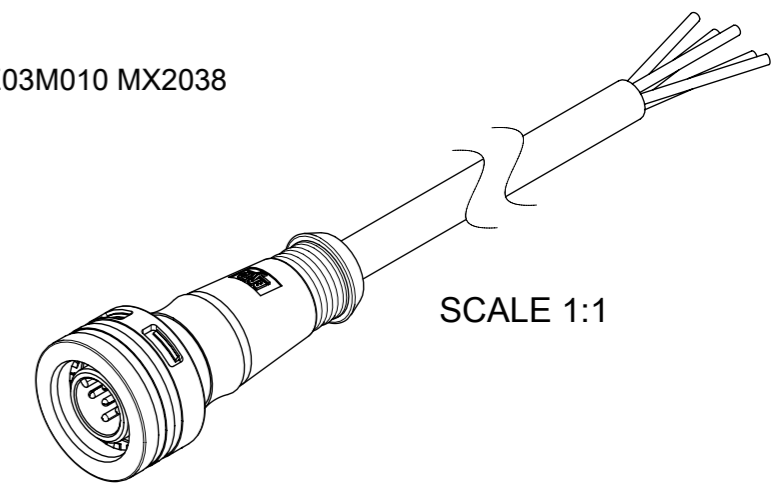
OVERMOLD:
BLANK = STANDARD BRAD:
-YELLOW IN THE USA
-BLACK IN EUROPE

A = GREY
E = RED
G = BLACK
Y = YELLOW
H = STD. COLOUR WITH TWO ID-TAG CARRIERS

CODING ACCORDING TO IEC 61076-2-101



- NOTES:
- PARTS ACC. TO PRODUCT SPECIFICATION 1204000001 PS P10 AND IN STYLE OF IEC-61076-2-010
 - BOM & PART LIST - SEE SHEET 2
 - RATED VOLTAGE :
3, 4 CONTACTS: 250V AC OR DC
5 CONTACTS: 60V AC OR DC
RATED CURRENT:
3, 4, 5 CONTACTS: 4A, DERATING HAS TO BE CONSIDERED
OVERVOLTAGE CATEGORY: 3
POLLUTION DEGREE: 3, ONLY IN MATED AND LOCKED CONDITION
 - PROTECTION CLASS: IP 67, ONLY IN MATED AND LOCKED CONDITION
 - TEMPERATURE RANGE:
TEMPERATURE PLUG/SOCKET: -40 °C TO +85 °C
TEMPERATURE CABLE: SEE CABLE LIST
 - MECHANICAL OPERATIONS: 100 CYCLES
 - MATES WITH ULTRA-LOCK M12 FEMALE RECEPTACLES
 - PACKAGING: THE CORDSETS ARE SINGLE PACKED IN PLASTIC BAGS AND DELIVERED IN CARTON BOXES
 - UL CSA FILE REGISTRATION PENDING



FUNCTIONAL SYMBOLS	THIS DRAWING CONTAINS INFORMATION THAT IS PROPRIETARY TO MOLEX ELECTRONIC TECHNOLOGIES, LLC AND SHOULD NOT BE USED WITHOUT WRITTEN PERMISSION		CURRENT REV DESC: NOTES AND CABLE LIST UPDATED	
△/A = 0	mm	SCALE	2:1	
△/E = 0	GENERAL TOLERANCES (UNLESS SPECIFIED)			
△/V = 0	ANGULAR TOL ± 1.0°			
DIVISIONAL SYMBOLS	4 PLACES	±		
	3 PLACES	±		
	2 PLACES	± 0.05		
	1 PLACE	± 0.3		
	0 PLACES	± 0.5		
DRAFT WHERE APPLICABLE MUST REMAIN WITHIN DIMENSIONS		THIRD ANGLE PROJECTION	DRAWING	SERIES
			A3-SIZE	120400
		MATERIAL NUMBER		CUSTOMER
		SEE SHEET 2		GENERAL MARKET
		DOCUMENT NUMBER		DOC TYPE
		1204000061		PSD
		DOC PART		REVISION
		000		A1
		SHEET NUMBER		
		1 OF 2		

PART LIST

Table with columns: MOLEX NO., ENGINEERING NO., LENGHT (MM). Rows include 1204000037, 1204000038, 1204000039, 1204000040, 1204000041, 1204000042, 1204000043, 1204000044, 1204000045, 1204000046, 1204000047, 1204000048, 1204000049, 1204000050, 1204000051, 1204000052, 1204000053, 1204000054, 1204000055, 1204000056, 1204000057, 1204000058, 1204000059.

Table with columns: MOLEX NO., ENGINEERING NO., LENGHT (MM). Rows include 1204000060, 1204000061, 1204000062, 1204000063, 1204000064, 1204000065, 1204000066, 1204000067, 1204000068, 1204000069, 1204000070, 1204000071, 1204000072.

Table with columns: MOLEX NO., ENGINEERING NO., LENGHT (MM). Rows are currently empty.

CABLE LIST

Table with columns: 3P, 4P, 5P, CABLE TYPE, DESCRIPTION, MATERIAL, FINISH/COLOR, FIXED INSTALLATION * (MIN., MAX.), FLEXIBLE INSTALLATION ** (MIN., MAX.), DRAG CHAIN (MIN., MAX.). Rows include X, X, X, X, X, X, X.

* FIXED POSITION WITHOUT ACCIDENTAL CRUSHING OF VIBRATION.
** FREE MOTION WITHOUT PERIODIC RECURRENCE OR FORCED GUIDANCE.

CABLE LENGTH TOLERANCES
LENGTH TOLERANCE
0m-1m +40 mm
>1m-5m +60 mm
>5m-10m +80 mm
>10m-20m +140 mm
>20m-30m +160 mm
>30m +1% length

BILL OF MATERIAL:

Table with columns: 3P, 4P, 5P, ITEM, QTY, DESCRIPTION, MATERIAL, FINISH/COLOR. Rows include X, X, X, X, X, X.

Functional symbols table, MoLEX logo, EC NO: 736602, DRWN: RSCHIEBER, APPR: RSILLER, PRODUCT CUSTOMER DRAWING, DOCUMENT NUMBER: 1204000061, SHEET NUMBER: 2 OF 2.