

## Crimp contact - RC-1KP2000 - 1602996


Please be informed that the data shown in this PDF Document is generated from our Online Catalog. Please find the complete data in the user's documentation. Our General Terms of Use for Downloads are valid (<http://phoenixcontact.com/download>)



Crimp contact, turned, Single contact, contact diameter: 1 mm, crimp range: 0.5 mm<sup>2</sup> ... 1 mm<sup>2</sup>



### Key Commercial Data

Packing unit	100 pc
Minimum order quantity	100 pc
GTIN	 4 046356 242837
GTIN	4046356242837
Weight per Piece (excluding packing)	0.180 g
Custom tariff number	85389099
Country of origin	Germany
Note	Made to Order (non-returnable)

### Technical data

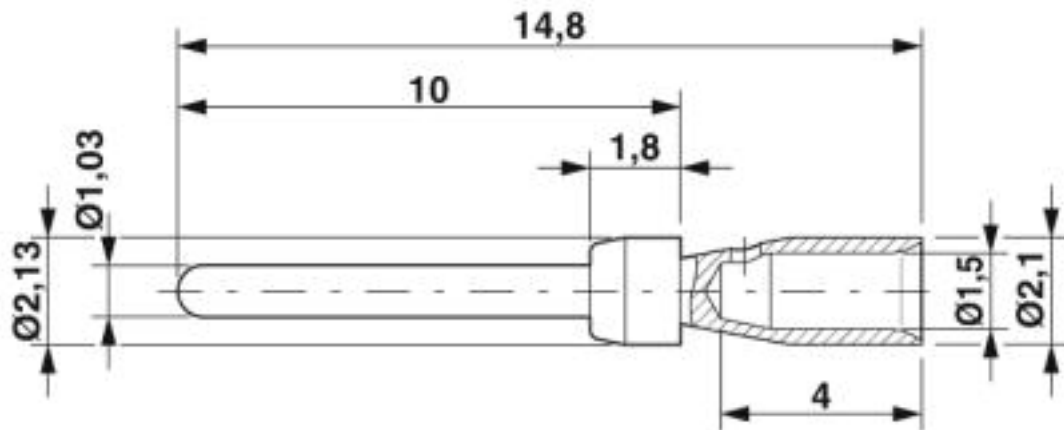
#### Environmental Product Compliance

REACH SVHC	Lead 7439-92-1
China RoHS	Environmentally Friendly Use Period = 50 years
	For details about hazardous substances go to tab "Downloads", Category "Manufacturer's declaration"

### Drawings

# Crimp contact - RC-1KP2000 - 1602996

Dimensional drawing



## Classifications

eCl@ss

eCl@ss 10.0.1	27440204
eCl@ss 4.0	27260700
eCl@ss 4.1	27260700
eCl@ss 5.0	27260700
eCl@ss 5.1	27261200
eCl@ss 6.0	27261200
eCl@ss 7.0	27440204
eCl@ss 8.0	27440204
eCl@ss 9.0	27440204

ETIM

ETIM 3.0	EC001121
ETIM 4.0	EC000796
ETIM 5.0	EC000796
ETIM 6.0	EC000796
ETIM 7.0	EC000796

UNSPSC

UNSPSC 6.01	43172015
UNSPSC 7.0901	43201404
UNSPSC 11	43172015
UNSPSC 12.01	43201404
UNSPSC 13.2	39121522
UNSPSC 18.0	39121522
UNSPSC 19.0	39121522
UNSPSC 20.0	39121522
UNSPSC 21.0	39121522

## Crimp contact - RC-1KP2000 - 1602996

### Accessories

#### Accessories

#### Crimping tool

Crimping pliers - RC-Z2504 - 1613822



Crimping pliers for turned RC crimp contacts, diameter 1 mm / diameter 1.5 mm / diameter 2 mm for a litz wire cross section of 0.14 mm<sup>2</sup> ... 2.5 mm<sup>2</sup>

---

### Mounting material

Contact insertion and removal tool - RC-Z2097 - 1604251



Positioning and contact removal tool for RC crimp contacts for pin / socket, diameter 1 mm

---

Contact insertion and removal tool - RC-Z2494 - 1614123



Positioning and removal tool for RC crimp contacts, pin/socket diameter: 1 mm

---

Crimping pliers with digital display - RC-Z2514 - 1614590



Crimping pliers for turned RC crimp contacts Ø 1 mm / Ø 1.5 mm / Ø 2 mm, litz wire cross section of 0.08 mm<sup>2</sup> ... 2.5 mm<sup>2</sup>