

# LED MULTI-FUNCTION LIGHT PMF LED-HI



protection system




operating temperature





Ultra bright

Multifunction light with most modern, ultra bright LED technology

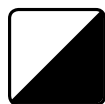
- with 315 cd flash brightness for large areas and outdoors
- highly insensitive to vibration with an service life exceeding 50,000 hrs
- 3 different signaling modi selectable
  - blinking light, highly efficient for permanent warning
  - flashing light, brighter than comparable xenon flashing light
  - rotating beacon effect, without susceptible mechanics
- extremely low power consumption
- as standard with inrush current limitation and flexible wide range power supplies
- long-life and energy saving replacement for conventional rotating mirror lights
- other versions available for safety-relevant applications (SIL / PL) or for ambient temperatures up to 70 ° C
- automatic brightness adjustment to ambient light (day / night switching) can be activated to prevent glare
- up to 2 out of 4 quadrants can be switched off, energy-saving and for directional signaling
- can be operated directly via 24 V transistor PLC output, no additional relay control necessary

PRODUCT		PMF LED-HI		
<b>DATA</b>				
Rated voltage	12 / 24 V DC			
Operating range	10 - 30 V DC			
Current consumption (@ 1 Hz Blitz)	max. 0.30 A			
Operating mode	Blink	flashing light	rotating mirror effect	
Flash rate of the main flash	1.5 Hz	1 Hz	2.5 Hz (150 rpm)	
Light source	8 x 2 high performance LEDs			
Light intensity (DIN 5037) <sup>1</sup>	315 cd, automatically reducible (day / night operation)			
Max. viewing distance	411 m			
Beam angle	vertical ca. 12°, horizontal 360°			
Operating temperature	-40... +55 °C			
Storage temperature	-40... +70 °C			
Relative humidity	90 %			
Protection system (EN 60529)	IP 55 (vertical mounting)			
Service life of the light source	>50,000 h			
Material	housing	 polycarbonate (PC), fresnel characteristic		
	lens	bracket mounting: polycarbonate (PC) / direct mounting: acrylonitrile butadiene styrene (ABS)		
Cable entry	bracket mounting	M20 x 1,5		
Connecting terminal	cage clamp 0.2 – 2.5mm <sup>2</sup>			
Weight	direct mounting: 660g / bracket mounting: 940g			

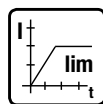
<sup>1</sup> with a clear lens

ARTICLE-NR.	PMF LED-HI direct mounting	PMF LED-HI bracket mounting
LENS COLOUR	12 / 24 V	12 / 24 V
	<b>21155634006</b>	21155634007
	21155635006	21155635007

Article numbers for other colours on request.



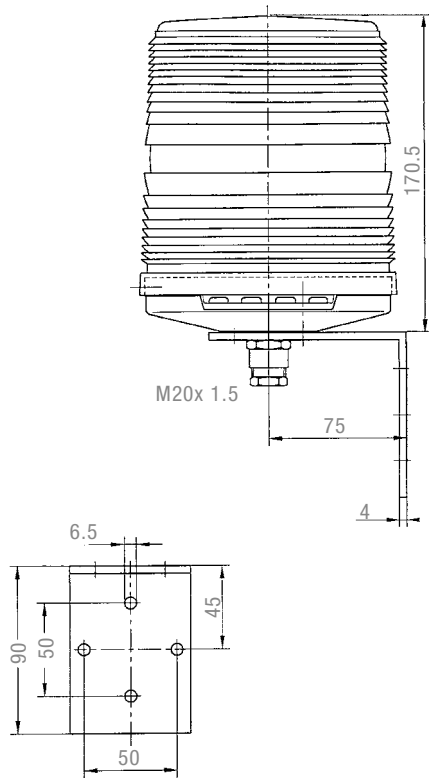
day / night



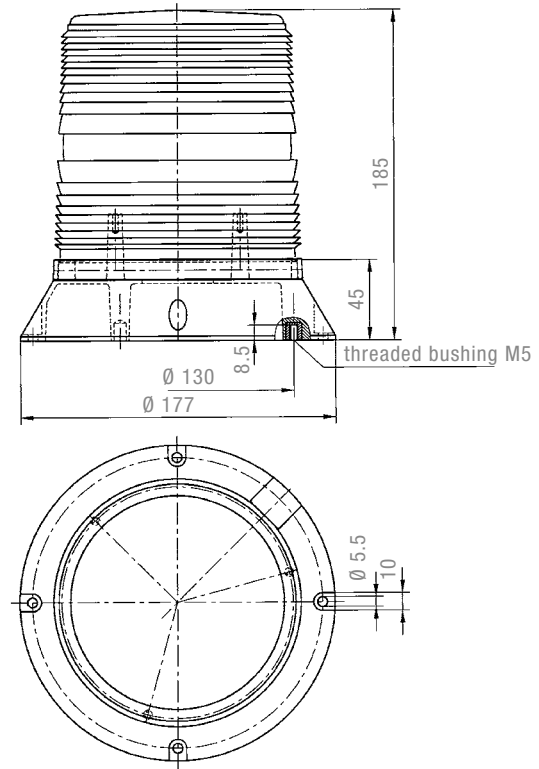
Inrush current limitation

**DIMENSIONS**

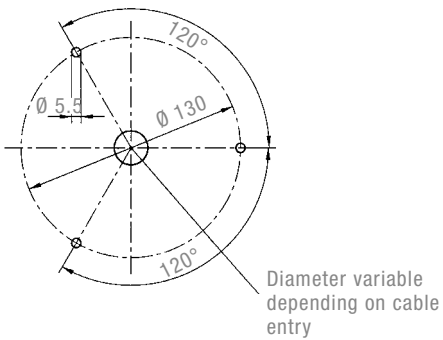
**bracket mounting**



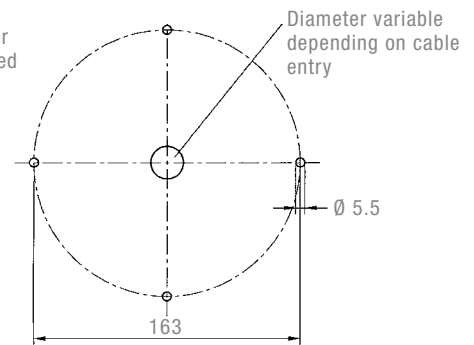
**direct mounting**



**Drilling template 1 for M5 threaded bushing**

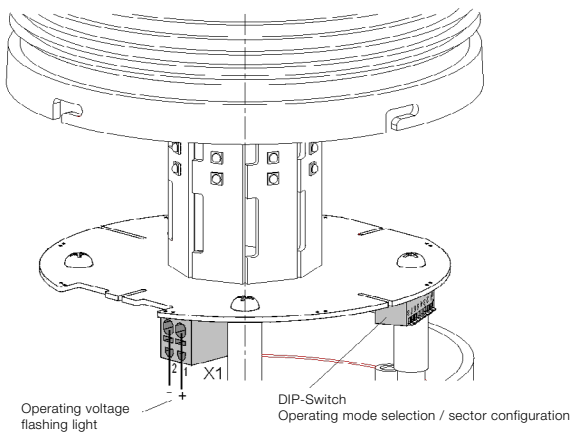


**Drilling template 2**



Two different drilling templates are available for fixing the light (direct mounting). M5x 8 threaded bushes are set into the base of the light for fixing according to drilling template 1. Drilling template 2 allows the light to be fixed using 4 through bolts or similar from above.

CONNECTION DIAGRAM



CONFORMITY TO STANDARDS

The visual characteristics of LED lights conform to the European standard DIN EN 842; **“Machine safety – visual alarm signals”**. Requirements contained in the DIN EN 981 standard; **“Machine safety – system of acoustic and visual alarm and information signals”**, can be fulfilled. The colours “red” for the emergency signal and “yellow” for the warning signal conform to the requirements of IEC 73 / DIN EN 60073 / VDE 0199; **“Coding of display devices and control elements using colours and supplementary means”**.

References to visual alarm devices can be found in the following standards:

- |             |  |
|-------------|--|
| EN 60825-1  | Radiation safety of laser devices, identical to IEC 825 and DIN-VDE 0837                     |
| DIN EN 54   | Fire alarm systems   |
| DIN 54113-2 | Radiation protection regulations for the technical operation of X-ray equipment up to 500 kV |