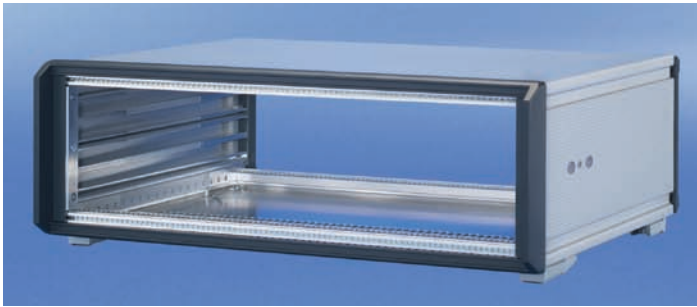


# Desk-top enclosure - *propac* PRO

3 U and 4 U cases, unshielded,  
with holes for tip-up carrying handle



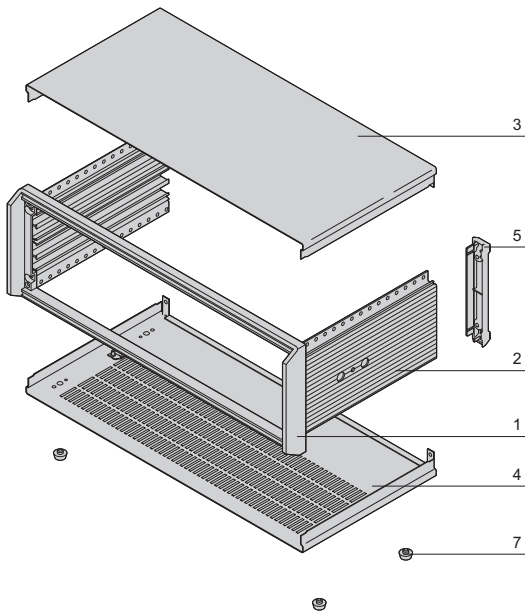
05812006

- Desk-top case with pre-configured components, in accordance with IEC 60297-3-101; prepared for 19" components such as plug-in units and euroboards
- Ventilation slots in base plate
- Prepared for GND/earthing
- Prepared for fitting of tip-up carrying handle

**NEW**

**Delivery comprises** (kit, items 1 - 6 fitted)

Item	Qty		Description
	3 U	4 U	
1	1	1	Frame, Al die-cast, powder-coated, RAL 7016
2	2	4	Side panel, Al extrusion, powder-coated, RAL 9006; with drill holes for tip-up carrying handle
3	1	1	Cover plate, Al, 1 mm, internal surface conductive, visible surface powder-coated, RAL 9006, with GND/earthing tag
4	1	1	Base plate, Al, 1 mm, internal surface conductive, visible surface powder-coated, RAL 9006, with GND/earthing tag, base plate with 4 rows of ventilation slots
5	2	2	End piece for rear, ABS, RAL 7016, UL 94 V-0; can be used as a foot for use in vertical position
6	-	2	Cover trim for side panel, Al extrusion, powder-coated, RAL 9006
7	4	4	Case foot with anti-slip protection, PC, black, UL 94 V-0
8	1	1	Assembly kit



05812050

## Order Information

Usable width	Width W1		Depth D	3 U		4 U	
	W2	W2		Part no.	Part no.		
HP	mm	mm	mm				
42	218.4	257.0	326	14577-123	14577-223		
42	218.4	257.0	386	14577-125	-		
63	325.1	363.7	326	14577-143	14577-243		
63	325.1	363.7	386	14577-145	14577-245		
84	431.8	470.3	326	14577-163	-		
84	431.8	470.3	386	14577-165	14577-265		

05812051

## Accessories

**GND/earthing kit** Cu wire 1.5 mm<sup>2</sup>, PVC sleeve, green/yellow, links side panels, base, cover and rear panel, PU 21102-001  
1 piece

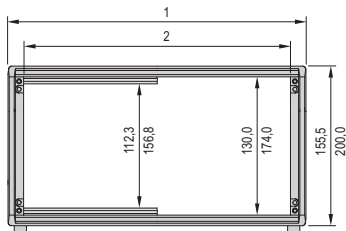
**Tip-up carrying handle** for 42 HP case width, PU 1 kit 24576-071

**Tip-up carrying handle** for 63 HP case width, PU 1 kit 24576-072

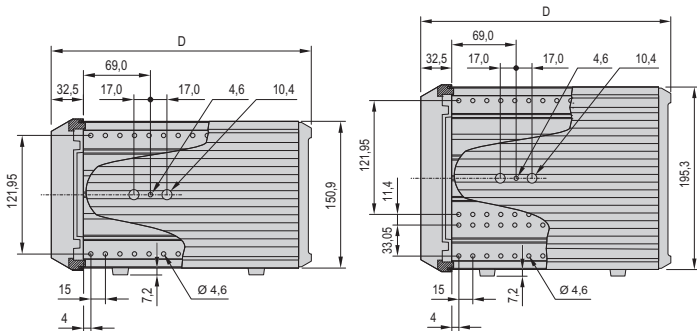
**Tip-up carrying handle** for 84 HP case width, PU 1 kit 24576-073

## Note

- Dimensions see page 5.48
- Dimensions side panel, see page 5.53



05812051



3 U

05812052

4 U

05812053



For further information [www.schroff.biz/oneclick](http://www.schroff.biz/oneclick)  
oneClick search code = Part no.



ServicePLUS see page 5.4