

GN 817-NI | Indexing plungers

Stainless steel



- 1
- 2
- 3
- 4
- 5
- 6
- 7
- 8**
- 9
- 10
- 11
- 12
- 13
- 14
- 15
- 16
- 17
- 18

THREADED BODY
AISI 303 stainless steel.

PLUNGER
Nickel-plated AISI 303 stainless steel.
Suggested tolerance for matching hole = H7.

LOCKING NUT
Stainless steel.

SPRING
AISI 301 stainless steel.

KNOB
High-resilience polyamide based (PA) technopolymer, black colour, matte finish.

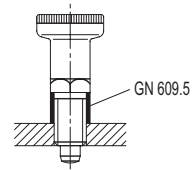
- STANDARD EXECUTIONS**
- **GN 817-B-NI**: with knob, without locking nut.
 - **GN 817-BK-NI**: with knob, with locking nut.
 - **GN 817-C-NI**: with knob and rest position, without locking nut.
 - **GN 817-CK-NI**: with knob and rest position, with locking nut.
 - **GN 817-G-NI**: without knob, without locking nut.
 - **GN 817-GK-NI**: without knob, with locking nut.

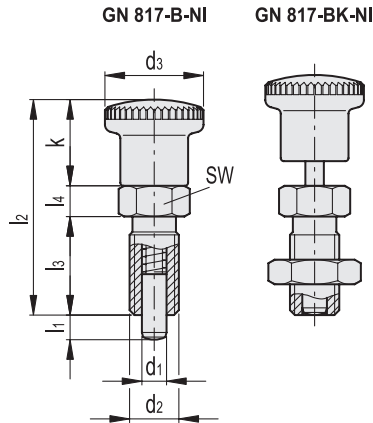
GN 817-G-NI and GN 817-GK-NI, without knob, are provided with threaded drive rod for combination with knobs or to join the rod to an operating mechanism of the machine.

FEATURES AND APPLICATIONS
GN 817-NI indexing plungers offer the following advantages: 2 different strokes (l) for every plunger diameter (d1), compact knobs, retracted position mechanism GN 817-C-NI inside the knob.

SPECIAL EXECUTIONS ON REQUEST
Indexing plungers with red clamping knob similar to RAL 3000 (GN 817-RT).

ACCESSORIES ON REQUEST
AISI 303 stainless steel distance bushings GN 609.5 (see page 562) for the assembly of the indexing plunger on thin sheets.





GN 817-B-NI



Code	Description	d1 Plunger -0.02-0.04 Hole H7	d2	d3	k	l1	l2	l3	l4	sw	[N]*	[N]#	⚖️
GN.41031	GN 817-4-4-B-NI	4	M8x1	16	14	4	35	16	5	10	4.5	12	11
GN.41032	GN 817-4-6-B-NI	4	M8x1	16	14	6	35	16	5	10	4	12.5	11
GN.41033	GN 817-5-5-B-NI	5	M10x1	19	16	5	40	18	6	12	5	15	19
GN.41034	GN 817-5-8-B-NI	5	M10x1	19	16	8	40	18	6	12	5	18	19
GN.41035	GN 817-6-6-B-NI	6	M12x1.5	23	20	6	48	22	6	14	6.5	19	32
GN.41036	GN 817-6-9-B-NI	6	M12x1.5	23	20	9	48	22	6	14	6	25	32
GN.41037	GN 817-8-8-B-NI	8	M16x1.5	28	24	8	58	26	8	17	8.5	26	68
GN.41038	GN 817-8-12-B-NI	8	M16x1.5	28	24	12	58	26	8	17	8.5	28	67
GN.41039	GN 817-10-12-B-NI	10	M16x1.5	28	24	12	58	26	8	17	9.5	38	69
GN.41040	GN 817-12-15-B-NI	12	M20x1.5	33	28.5	15	71.5	33	10	22	11.5	40	117
GN.41062	GN 817-16-20-B-NI	16	M24x2	33	28.5	20	78.5	38	12	27	13	54	203

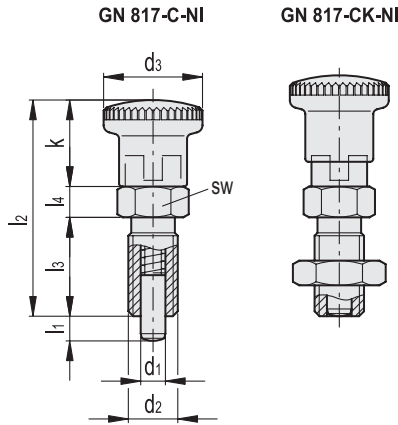
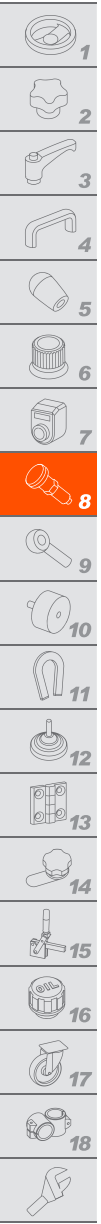
GN 817-BK-NI



Code	Description	d1 Plunger -0.02-0.04 Hole H7	d2	d3	k	l1	l2	l3	l4	sw	[N]*	[N]#	⚖️
GN.41131	GN 817-4-4-BK-NI	4	M8x1	16	14	4	35	16	5	10	4.5	12	12
GN.41132	GN 817-4-6-BK-NI	4	M8x1	16	14	6	35	16	5	10	4	12.5	12
GN.41133	GN 817-5-5-BK-NI	5	M10x1	19	16	5	40	18	6	12	5	15	20
GN.41134	GN 817-5-8-BK-NI	5	M10x1	19	16	8	40	18	6	12	5	18	20
GN.41135	GN 817-6-6-BK-NI	6	M12x1.5	23	20	6	48	22	6	14	6.5	19	33
GN.41136	GN 817-6-9-BK-NI	6	M12x1.5	23	20	9	48	22	6	14	6	25	33
GN.41137	GN 817-8-8-BK-NI	8	M16x1.5	28	24	8	58	26	8	17	8.5	26	69
GN.41138	GN 817-8-12-BK-NI	8	M16x1.5	28	24	12	58	26	8	17	8.5	28	69
GN.41139	GN 817-10-12-BK-NI	10	M16x1.5	28	24	12	58	26	8	17	9.5	38	71
GN.41140	GN 817-12-15-BK-NI	12	M20x1.5	33	28.5	15	71.5	33	10	22	11.5	40	151
GN.41162	GN 817-16-20-BK-NI	16	M24x2	33	28.5	20	78.5	38	12	27	13	54	208

* Spring preload
Spring maximum load





INOX STAINLESS STEEL

GN 817-C-NI

Code	Description	d1 Plunger -0.02 -0.04 Hole H7	d2	d3	k	l1	l2	l3	l4	sw	[N]*	[N]#	⚖
GN.41041	GN 817-4-4-C-NI	4	M8x1	16	14	4	35	16	5	10	4.5	12	11
GN.41042	GN 817-4-6-C-NI	4	M8x1	16	14	6	35	16	5	10	4	12.5	11
GN.41043	GN 817-5-5-C-NI	5	M10x1	19	16	5	40	18	6	12	5	15	19
GN.41044	GN 817-5-8-C-NI	5	M10x1	19	16	8	40	18	6	12	5	18	19
GN.41045	GN 817-6-6-C-NI	6	M12x1.5	23	20	6	48	22	6	14	6.5	19	32
GN.41046	GN 817-6-9-C-NI	6	M12x1.5	23	20	9	48	22	6	14	6	25	32
GN.41047	GN 817-8-8-C-NI	8	M16x1.5	28	24	8	58	26	8	17	8.5	26	68
GN.41048	GN 817-8-12-C-NI	8	M16x1.5	28	24	12	58	26	8	17	8.5	28	67
GN.41049	GN 817-10-12-C-NI	10	M16x1.5	28	24	12	58	26	8	17	9.5	38	69
GN.41050	GN 817-12-15-C-NI	12	M20x1.5	33	28.5	15	71.5	33	10	22	11.5	40	117
GN.41064	GN 817-16-20-C-NI	16	M24x2	33	28.5	20	78.5	38	12	27	13	54	218

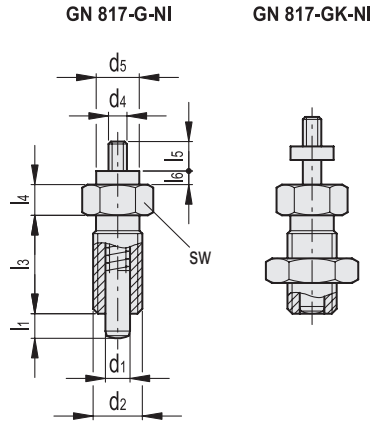
INOX STAINLESS STEEL

GN 817-CK-NI

Code	Description	d1 Plunger -0.02 -0.04 Hole H7	d2	d3	k	l1	l2	l3	l4	sw	[N]*	[N]#	⚖
GN.41141	GN 817-4-4-CK-NI	4	M8x1	16	14	4	35	16	5	10	4.5	12	12
GN.41142	GN 817-4-6-CK-NI	4	M8x1	16	14	6	35	16	5	10	4	12.5	12
GN.41143	GN 817-5-5-CK-NI	5	M10x1	19	16	5	40	18	6	12	5	15	20
GN.41144	GN 817-5-8-CK-NI	5	M10x1	19	16	8	40	18	6	12	5	18	20
GN.41145	GN 817-6-6-CK-NI	6	M12x1.5	23	20	6	48	22	6	14	6.5	19	33
GN.41146	GN 817-6-9-CK-NI	6	M12x1.5	23	20	9	48	22	6	14	6	25	33
GN.41147	GN 817-8-8-CK-NI	8	M16x1.5	28	24	8	58	26	8	17	8.5	26	69
GN.41148	GN 817-8-12-CK-NI	8	M16x1.5	28	24	12	58	26	8	17	8.5	28	69
GN.41149	GN 817-10-12-CK-NI	10	M16x1.5	28	24	12	58	26	8	17	9.5	38	69
GN.41150	GN 817-12-15-CK-NI	12	M20x1.5	33	28.5	15	71.5	33	10	22	11.5	40	117
GN.41164	GN 817-16-20-CK-NI	16	M24x2	33	28.5	20	78.5	38	12	27	13	54	223

* Spring preload
Spring maximum load

Indexing and positioning elements



GN 817-G-NI



Code	Description	d1 Plunger -0.02 -0.04 Hole H7	d2	d4	d5	l1	l3	l4	l5	l6	sw	[N]*	[N]#	⚖️
GN.41051	GN 817-4-4-G-NI	4	M8x1	M3	7	4	16	5	4.5	2.5	10	4.5	12	10
GN.41052	GN 817-4-6-G-NI	4	M8x1	M3	7	6	16	5	4.5	2.5	10	4	12.5	10
GN.41053	GN 817-5-5-G-NI	5	M10x1	M4	8	5	18	6	5.5	3	12	5	15	17
GN.41054	GN 817-5-8-G-NI	5	M10x1	M4	8	8	18	6	5.5	3	12	5	18	17
GN.41055	GN 817-6-6-G-NI	6	M12x1.5	M5	9	6	22	6	7	3.5	14	6.5	19	29
GN.41056	GN 817-6-9-G-NI	6	M12x1.5	M5	9	9	22	6	7	3.5	14	6	25	29
GN.41057	GN 817-8-8-G-NI	8	M16x1.5	M6	10	8	26	8	8.5	4	17	8.5	26	61
GN.41058	GN 817-8-12-G-NI	8	M16x1.5	M6	10	12	26	8	8.5	4	17	8.5	28	60
GN.41059	GN 817-10-12-G-NI	10	M16x1.5	M6	10	12	26	8	8.5	4	17	9.5	38	62
GN.41060	GN 817-12-15-G-NI	12	M20x1.5	M6	12	15	33	10	8.5	4	22	11.5	40	111
GN.41066	GN 817-16-20-G-NI	16	M24x2	M8	15	20	38	12	11.5	5	27	13	54	193

GN 817-GK-NI



Code	Description	d1 Plunger -0.02 -0.04 Hole H7	d2	d4	d5	l1	l3	l4	l5	l6	sw	[N]*	[N]#	⚖️
GN.41151	GN 817-4-4-GK-NI	4	M8x1	M3	7	4	16	5	4.5	2.5	10	4.5	12	11
GN.41152	GN 817-4-6-GK-NI	4	M8x1	M3	7	6	16	5	4.5	2.5	10	4	12.5	11
GN.41153	GN 817-5-5-GK-NI	5	M10x1	M4	8	5	18	6	5.5	3	12	5	15	18
GN.41154	GN 817-5-8-GK-NI	5	M10x1	M4	8	8	18	6	5.5	3	12	5	18	18
GN.41155	GN 817-6-6-GK-NI	6	M12x1.5	M5	9	6	22	6	7	3.5	14	6.5	19	30
GN.41156	GN 817-6-9-GK-NI	6	M12x1.5	M5	9	9	22	6	7	3.5	14	6	25	30
GN.41157	GN 817-8-8-GK-NI	8	M16x1.5	M6	10	8	26	8	8.5	4	17	8.5	26	62
GN.41158	GN 817-8-12-GK-NI	8	M16x1.5	M6	10	12	26	8	8.5	4	17	8.5	28	62
GN.41159	GN 817-10-12-GK-NI	10	M16x1.5	M6	10	12	26	8	8.5	4	17	9.5	38	64
GN.41160	GN 817-12-15-GK-NI	12	M20x1.5	M6	12	15	33	10	8.5	4	22	11.5	40	135
GN.41166	GN 817-16-20-GK-NI	16	M24x2	M8	15	20	38	12	11.5	5	27	13	54	198

* Spring preload

Spring maximum load

