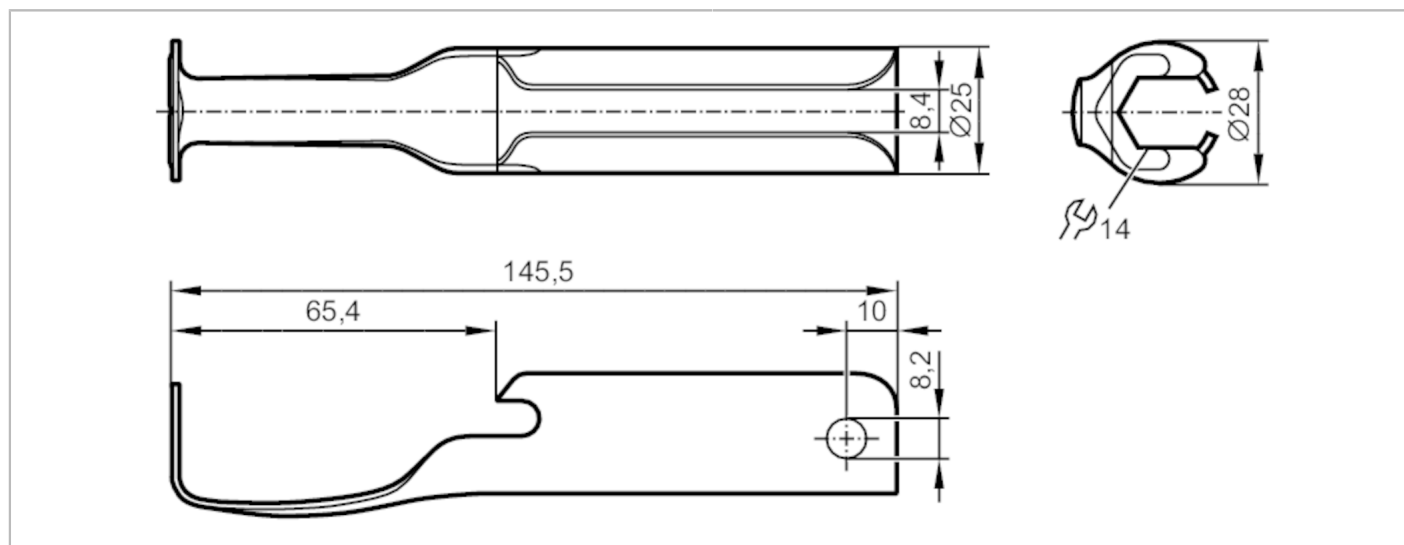


E12078



Assembly tool

MOUNTING TOOL CONNECTORS



| Application | |
|------------------------|-------------------------------------|
| Design | for plug-and-socket connections M12 |
| Mechanical data | |
| Weight [g] | 71.1 |
| Materials | stainless steel (1.4301 / 304) |
| Tightening torque [Nm] | < 2 |
| Remarks | |
| Pack quantity | 1 pcs. |