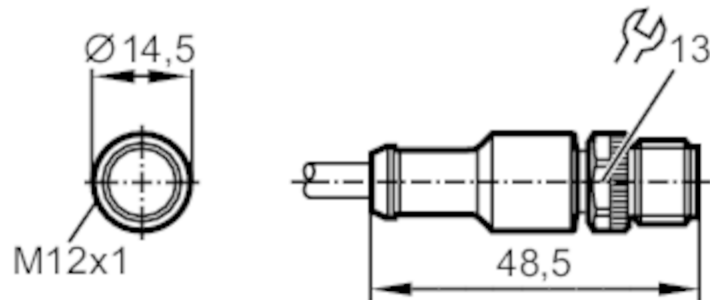


E12455



Connecting cable with plug

ASTGH120MSS0005H12



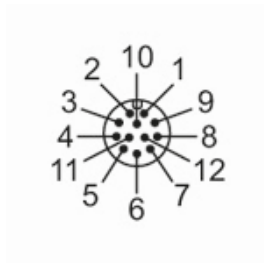
| Application | |
|--|----------------------|
| Special feature | Gold-plated contacts |
| Electrical data | |
| Operating voltage [V] | < 50 AC / < 60 DC |
| Protection class | II |
| Max. current load total [A] | 2 |
| Operating conditions | |
| Ambient temperature [°C] | -25...70 |
| Ambient temperature (moving) [°C] | -5...70 |
| Protection | IP 68 |
| Mechanical data | |
| Weight [g] | 329.5 |
| Dimensions [mm] | 14.5 x 14.5 x 48.4 |
| Materials | PUR |
| Material nut | brass, nickel-plated |
| Remarks | |
| Pack quantity | 1 pcs. |
| Electrical connection | |
| Cable: 5 m, PUR, black, Ø 6.5 mm; 12 x 0.25 mm ² (19 x Ø 0.13 mm) | |
| Electrical connection - plug | |
| Connector: 1 x M12, straight; Moulded body: PUR; Locking: brass, nickel-plated; Contacts: gold-plated; Tightening torque: 0.7...0.9 Nm | |

E12455



Connecting cable with plug

ASTGH120MSS0005H12



Connection

| | |
|----|-------|
| 1 | BN |
| 2 | BU |
| 3 | WH |
| 4 | GN |
| 5 | PK |
| 6 | YE |
| 7 | BK |
| 8 | GY |
| 9 | RD |
| 10 | VT |
| 11 | GY/PK |
| 12 | RD/BU |

Core colours :

| | |
|---------|-----------|
| BN = | brown |
| BU = | blue |
| GN = | green |
| GY = | grey |
| GY/PK = | grey/pink |
| PK = | pink |
| RD = | red |
| VT = | lilac |
| WH = | white |
| YE = | yellow |
| RD/BU = | red/blue |