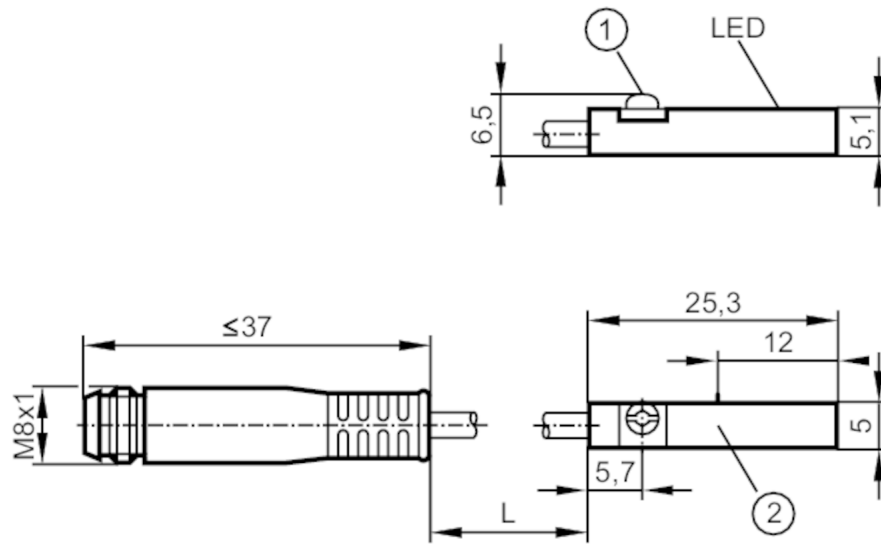


# MK5137



## T-slot cylinder sensor

MKT3020BANKG//A/0,3M/ZH/AS



- 1 fastening clamp  
2 Sensing face



### Product characteristics

|                   |               |
|-------------------|---------------|
| Electrical design | NPN           |
| Output function   | normally open |
| Dimensions [mm]   | 25 x 5 x 6.5  |

### Electrical data

|                               |   |
|-------------------------------|---|
| Operating voltage [V]         | 10...30 DC; ("supply class 2" to cULus) |
| Current consumption [mA]      | < 10                                    |
| Protection class              | III                                     |
| Reverse polarity protection   | yes                                     |
| Max. power-on delay time [ms] | 30                                      |

### Outputs

|  |               |
|--|---------------|
| Electrical design                                    | NPN           |
| Output function                                      | normally open |
| Max. voltage drop switching output DC [V]            | 2.5           |
| Permanent current rating of switching output DC [mA] | 100           |
| Switching frequency DC [Hz]                          | 6000          |
| Short-circuit protection                             | yes           |
| Overload protection                                  | yes           |

### Detection zone

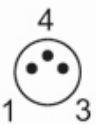
|                           |      |
|---------------------------|------|
| Response sensitivity [mT] | 2    |
| Travel speed [m/s]        | > 10 |

# MK5137



## T-slot cylinder sensor

MKT3020BANKG//A/0,3M/ZH/AS

| Accuracy / deviations   |                           |   |
|---|---------------------------|---|
| Hysteresis  | [mm]                      | < 1   |
| Repeatability   | [mm]                      | < 0.2   |
| Operating conditions  |                           |   |
| Ambient temperature   | [°C]                      | -25...85  |
| Protection  |                           | IP 65; IP 67  |
| Tests / approvals   |                           |   |
| EMC   | EN 61000-4-2 ESD          | - CD / 8 kV AD  |
|   | EN 61000-4-3 HF radiated  | 10 V/m  |
|   | EN 61000-4-4 Burst        | 2 kV  |
|   | EN 61000-4-6 HF conducted | 10 V  |
|   | EN 55011                  | class B   |
| MTTF  | [years]                   | 2076  |
| UL approval   | UL Approval no.           | C003  |
| Mechanical data   |                           |   |
| Weight  | [g]                       | 14.5  |
| Mounting  |                           | flush mountable   |
| Type of mounting  |                           | fastening clamp with combined slot / hexagon socket, width across flats 1.5 |
| Cylinder type   |                           | T-slot cylinders  |
| Dimensions  | [mm]                      | 25 x 5 x 6.5  |
| Materials   |                           | housing: PA; fastening clamp: stainless steel                               |
| Displays / operating elements   |                           |   |
| Display   | switching status          | 1 x LED, yellow   |
| Accessories   |                           |   |
| Accessories (supplied)  |                           | rubber placeholder: 1<br>Cable clip: 1                                      |
| Remarks   |                           |   |
| Pack quantity   |                           | 1 pcs.  |
| Electrical connection - plug  |                           |   |
| Cable: 0.3 m, PUR   |                           |   |
| Connector: 1 x M8; Locking: snap-fit  |                           |   |
|  |                           |   |

# MK5137



## T-slot cylinder sensor

MKT3020BANKG//IA/0,3M/ZH/AS

### Connection

