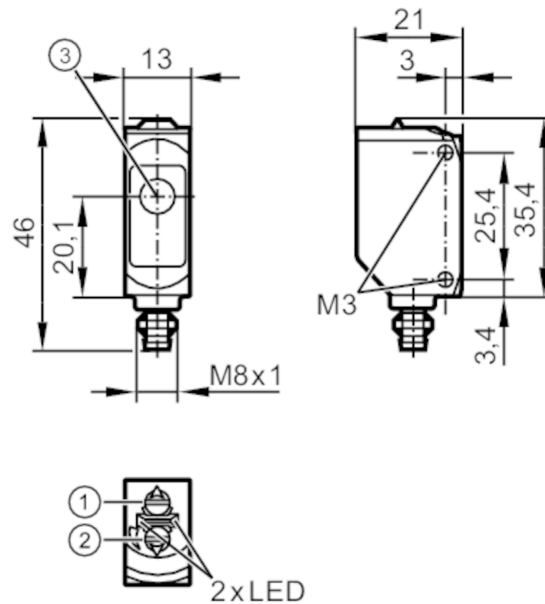


O6E216



Through-beam sensor receiver

O6EIFNKG/AS/4P



- 1: output function switch
 2: potentiometer sensitivity
 3: Light incidence



Product characteristics

Type of light	infrared light
Housing	rectangular
Dimensions [mm]	46 x 13 x 21

Application

Function principle	Through-beam sensor
--------------------	---------------------

Electrical data

Operating voltage [V]	10...30 DC
Current consumption [mA]	7; ((24 V))
Protection class	III
Reverse polarity protection	yes
Type of light	infrared light
Wave length [nm]	850

O6E216



Through-beam sensor receiver

O6EIFNKG/ASJ/4P

Outputs		
Electrical design		NPN
Output function		light-on/dark-on mode; (selectable)
Max. voltage drop switching output DC	[V]	2.5
Permanent current rating of switching output DC	[mA]	100
Switching frequency DC	[Hz]	1000
Short-circuit protection		yes
Type of short-circuit protection		pulsed
Detection zone		
Transmitter / receiver		receiver
Range	[m]	< 15
Range adjustable		yes
Operating conditions		
Ambient temperature	[°C]	-25...60
Protection		IP 65; IP 67
Tests / approvals		
EMC		EN 60947-5-2
MTTF	[years]	956
UL approval		UL Approval no. E001
Mechanical data		
Weight	[g]	19.5
Housing		rectangular
Dimensions	[mm]	46 x 13 x 21
Materials		housing: ABS; PPSU; connector thread: metal coated; Sealing: EPDM
Lens material		PMMA
Lens alignment		side lens
Material nut		metal, coated
Tightening torque	[Nm]	0.5
Displays / operating elements		
Display	switching status	1 x LED, yellow
	operation	1 x LED, green
Remarks		
Remarks		operating voltage "supply class 2" according to cULus
Pack quantity		1 pcs.
Electrical connection		
Connector: 1 x M8; Locking: metal, coated		

O6E216

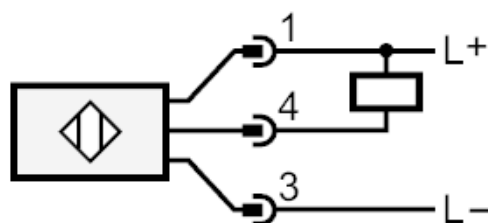


Through-beam sensor receiver

O6EIFNKG/AS/4P



Connection



Diagrams and graphs

excess gain graph

