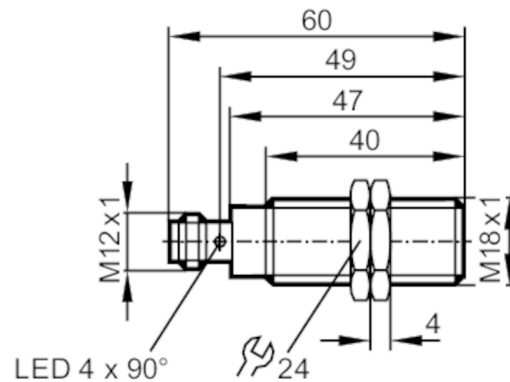


OGP200



Retro-reflective sensor

OGP-DPKG/US100



Product characteristics

| | |
|-----------------|------------------|
| Type of light | red light |
| Housing | threaded type |
| Dimensions [mm] | M18 x 1 / L = 60 |

Application

| | |
|--------------------|-------------------------|
| Special feature | polarisation filter |
| Function principle | Retro-reflective sensor |

Electrical data

| | |
|-----------------------------|------------|
| Operating voltage [V] | 10...36 DC |
| Current consumption [mA] | 15 |
| Protection class | II |
| Reverse polarity protection | yes |
| Type of light | red light |
| Wave length [nm] | 624 |

Outputs

| | |
|--|--------------|
| Electrical design | PNP |
| Output function | dark-on mode |
| Max. voltage drop switching output DC [V] | 2.5 |
| Permanent current rating of switching output DC [mA] | 200 |
| Switching frequency DC [Hz] | 1000 |
| Short-circuit protection | yes |
| Type of short-circuit protection | pulsed |
| Overload protection | yes |

OGP200



Retro-reflective sensor

OGP-DPKG/US100

| Detection zone | | |
|---|---|-----------------|
| Range referred to prismatic reflector [m] | 0.03...4; (Prismatic reflector Ø 80 E20005) | |
| Range adjustable | no | |
| Max. light spot diameter [mm] | 160 | |
| Light spot dimensions refer to | at maximum range | |
| Polarisation filter available | yes | |
| Operating conditions | | |
| Ambient temperature [°C] | -25...60 | |
| Protection | IP 67 | |
| Tests / approvals | | |
| EMC | EN 60947-5-2 | |
| MTTF [years] | 509 | |
| Mechanical data | | |
| Weight [g] | 50 | |
| Housing | threaded type | |
| Dimensions [mm] | M18 x 1 / L = 60 | |
| Thread designation | M18 x 1 | |
| Materials | housing: stainless steel (1.4404 / 316L) | |
| Lens material | PMMA | |
| Displays / operating elements | | |
| Display | switching status | 1 x LED, yellow |
| Accessories | | |
| Accessories (supplied) | lock nuts: 2 x | |
| Remarks | | |
| Remarks | operating voltage "supply class 2" according to cULus | |
| Pack quantity | 1 pcs. | |
| Electrical connection | | |
| Connector: 1 x M12 | | |



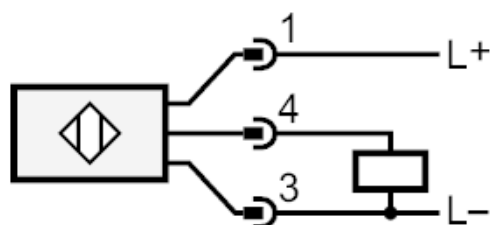
OGP200



Retro-reflective sensor

OGP-DPKG/US100

Connection



Diagrams and graphs

excess gain graph

