

MODLINK MSDD SET CONTAINS:

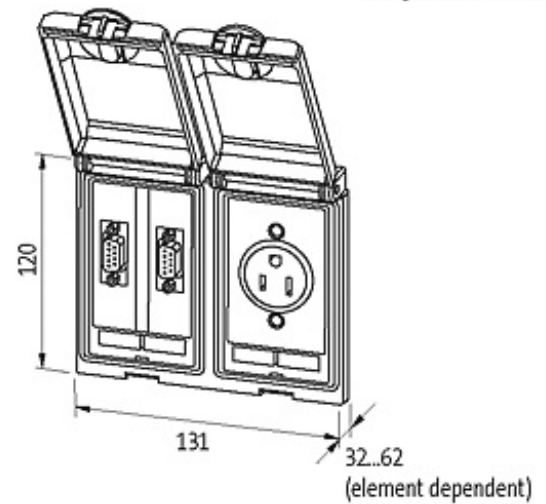
4000-68122-0000000 (double frame black)

[Link to Product](#)

Illustration



stay connected



Product may differ from Image

Frame

suitable for mounting with wall thickness	1...5 mm
Protection	IP65
Housing	Zinc die-casting, KTL coated
Dimensions H x W x D	120x130x35
Temperature range	-10...+60 °C (storage temperature -25...+60 °C)

Insert 1

Article number	4000-68000-0010000
Operating voltage	max. 250 V AC
Operating current	max. 16 A
Connection	Screw terminals: max. 6 mm ²
Mounting depth mounted	approx. 62 mm
Dimensions H x W x D	88x51x68

Insert 2

The information in this brochure has been compiled with the utmost care.

Liability for the correctness completeness and topicality of the information is restricted to gross negligence. Version: 05/15

Article number	4000-68000-0230000
Operating voltage	SUB-D: max. 125 V AC/150 V DC; RJ4: max. 48 V AC/DC; RJ12: max. 48 V AC/DC; USB: max. 30 V AC/DC; PS2: max. 30 V AC/DC; DVI: max. 40 V AC
Operating current	SUB-D: max. 3 A; RJ45: max. 1 A; RJ12: max. 1 A; USB: max. 1 A; PS2: max. 1 A; DVI: max. 1.5 A
Connection cross section	SUB-D: max. 0.5 mm ² (AWG 20); PS2: max. 0.22 mm ² (AWG 24)
Locking of ports	SUB-D: UNC 4...40 bolt; RJ45: staple; RJ12: staple; USB: snap-in; PS2: snap-in
Specification	SUB-D: (DIN 41652/IEC 60807-1); RJ45: CAT5e (100 MHz - Mbit/s); USB: 2.0/Type 2dB (max. 480 Mbit/s)
Mounting depth mounted	SUB-D: approx. 32 mm; RJ45: approx. 32 mm; RJ12: approx. 32 mm; USB: approx. 80 mm; PS2: approx. 32 mm
Dimensions H × W × D	88×51×40
Shielded	no
Commercial data	
country of origin	CZ
customs tariff number	85369010
minimum order quantity	1