

MVP12, 8XM12, MOSA, PLUG. CAP SCT.

With potent. sep.

pluggable connection cap

PIN 1: +24 V or PE selectable by plug links

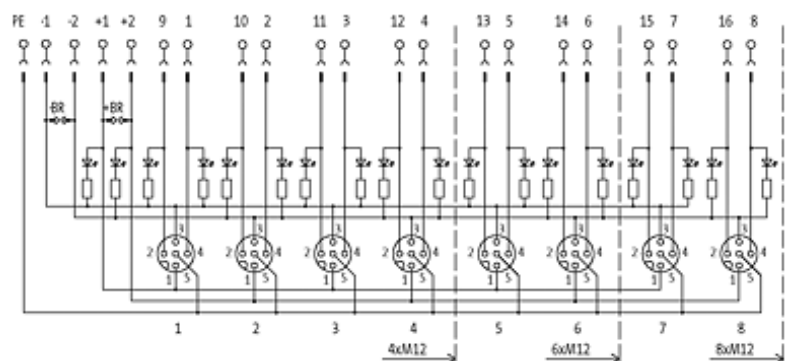
Potential separation as option

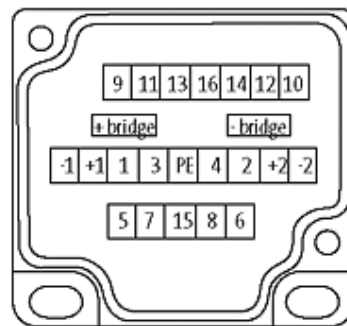
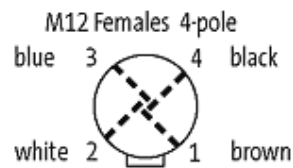
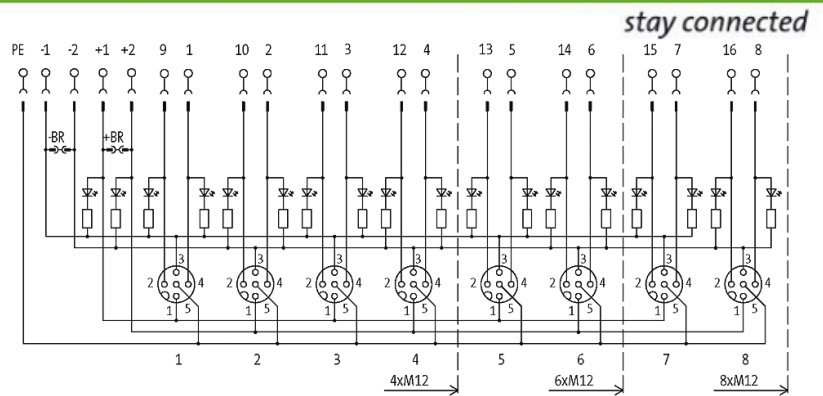
with LED for digital PNP-signals 24 V DC

Further cable lengths on request. Plastic housings with good resistance against chemicals and oils. The resistance to aggressive media should be individually tested for your application. Further details on request.

[Link to Product](#)

Illustration





for 2 signals per port

Product may differ from Image

Technical Data

Operating voltage	24 V DC
Signal per port	2
Operating current per contact	max. 4 A
Total current	max. 2 × 8 A
Connection cross section	0.25...0.5 mm ²
Housing	Plastic, flame retardant
Protection	IP67 inserted and tightened (EN 60529)
Locking of ports	Cap nut

General data

Temperature range	-20...+80 °C
-------------------	--------------

Contact layout

Contact 1	(+)
Contact 2	(NC)/(S2)
Contact 3	(-)
Contact 4	(NO)/(S1)
Contact 5	(Earth)

LED display

LED (green): Power / LED (yellow): (S1/S2)

Commercial data

country of origin

DE

customs tariff number

85369010

minimum order quantity

1