



Model Number

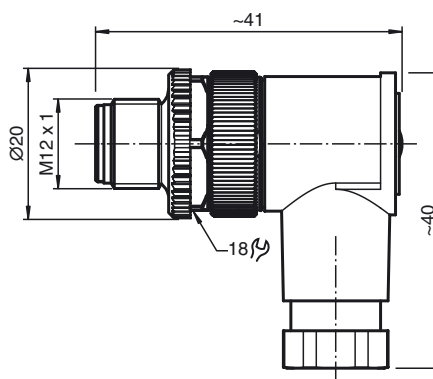
V15S-W

Cable connector, M12, 5-pin, ready for assembly

Features

- Screw terminal connection
- Metal locking

Dimensions



Technical data

General specifications

Number of pins	5
Connection 1	Male connector
Construction type 1	right angle
Threading 1	M12
UL File Number	E363587

Electrical specifications

Operating voltage	U_B	max. 125 V AC/DC
Operating current		max. 4 A
Volume resistance		< 8 m Ω

Ambient conditions

Ambient temperature	-40 ... 85 °C (-40 ... 185 °F)
Pollution Degree	3

Mechanical specifications

Degree of protection	IP67
Connection	1 x M12 right-angled connector Screw terminals for max. 0.75 mm ² PG7 cable gland
Material	
Contacts	CuZn
Contact surface	CuSnZn
Connector	CuZn
Body	PBT
Cable	
Sheath diameter	4 ... 6 mm

Compliance with standards and directives

Standard conformity	
Degree of protection	EN 60529:2000

Electrical connection

