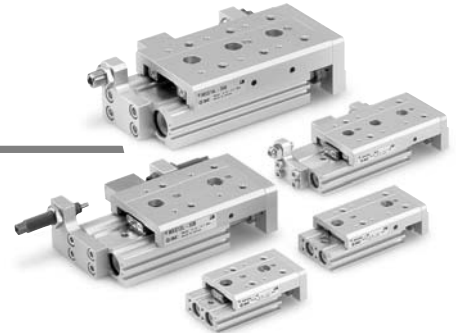


Air Slide Table (Symmetric Type) Series **MXS□L**

How to Order

Air slide table **MXS 12 □ L - 50 AS - M9BW □**



Port thread type

Nil	M thread	ø6 to ø16
	Rc	
TN	NPT	ø20, ø25
TF	G	

Symmetric type

Bore size (Stroke (mm))

6	10, 20, 30, 40, 50
8	10, 20, 30, 40, 50, 75
12	10, 20, 30, 40, 50, 75, 100
16	10, 20, 30, 40, 50, 75, 100, 125
20	10, 20, 30, 40, 50, 75, 100, 125, 150
25	10, 20, 30, 40, 50, 75, 100, 125, 150

Adjuster option

Nil	Without adjuster
AS	Adjuster on extension end
AT	Adjuster on retraction end
A	Adjuster on both ends
BS ⁽¹⁾	Absorber on extension end
BT ⁽¹⁾	Absorber on retraction end
B ⁽¹⁾	Absorber on both ends
ASBT ⁽¹⁾	Adjuster on extension end + Absorber on retraction end
BSAT ⁽¹⁾	Absorber on extension end + Adjuster on retraction end

Note 1) Options BS, BT and B are not available with the MXS6L series.
Note 2) Functional option is not available with the MXS□□L series.

Number of auto switches

Nil	2 pcs.
S	1 pc.
n	"n" pcs.

Auto switch

Nil	Without auto switch (Built-in magnet)
-----	---------------------------------------

* For the applicable auto switch models, refer to the table below.

Specifications

Specifications are the same as the standard type. Refer to page 55.

Applicable Auto Switches

Refer to pages 1719 to 1827 for further information on auto switches.

Type	Special function	Electrical entry	Indicator light	Wiring (Output)	Load voltage		Auto switch model		Lead wire length (m)				Pre-wired connector	Applicable load			
					DC	AC	Perpendicular	In-line	0.5 (Nil)	1 (M)	3 (L)	5 (Z)		IC circuit	Relay, PLC		
Solid state switch	Diagnostic indication (2-color indication)	Grommet	Yes	3-wire (NPN)	24 V	5 V, 12 V	—	M9NV	M9N	●	●	●	○	○	IC circuit	Relay, PLC	
				3-wire (PNP)				M9PV	M9P	●	●	●	○	○			
				2-wire				M9BV	M9B	●	●	●	○	○			
				3-wire (NPN)				M9NVV	M9NV	●	●	●	○	○			
				3-wire (PNP)				M9PVV	M9PV	●	●	●	○	○			
				2-wire				M9BVV	M9BV	●	●	●	○	○			
Reed switch	—	Grommet	Yes	3-wire (NPN equivalent)	—	5 V	—	A96V	A96	●	—	●	—	—	IC circuit	—	
				2-wire	24 V	12 V	100 V	A93V	A93	●	—	●	—	—	—	—	Relay, PLC
								A90V	A90	●	—	●	—	—	—	IC circuit	—

* Lead wire length symbols: 0.5 m Nil (Example) M9NW
1 m M (Example) M9NWM
3 m L (Example) M9NWL
5 m Z (Example) M9NWZ

* Solid state auto switches marked with "○" are produced upon receipt of order.

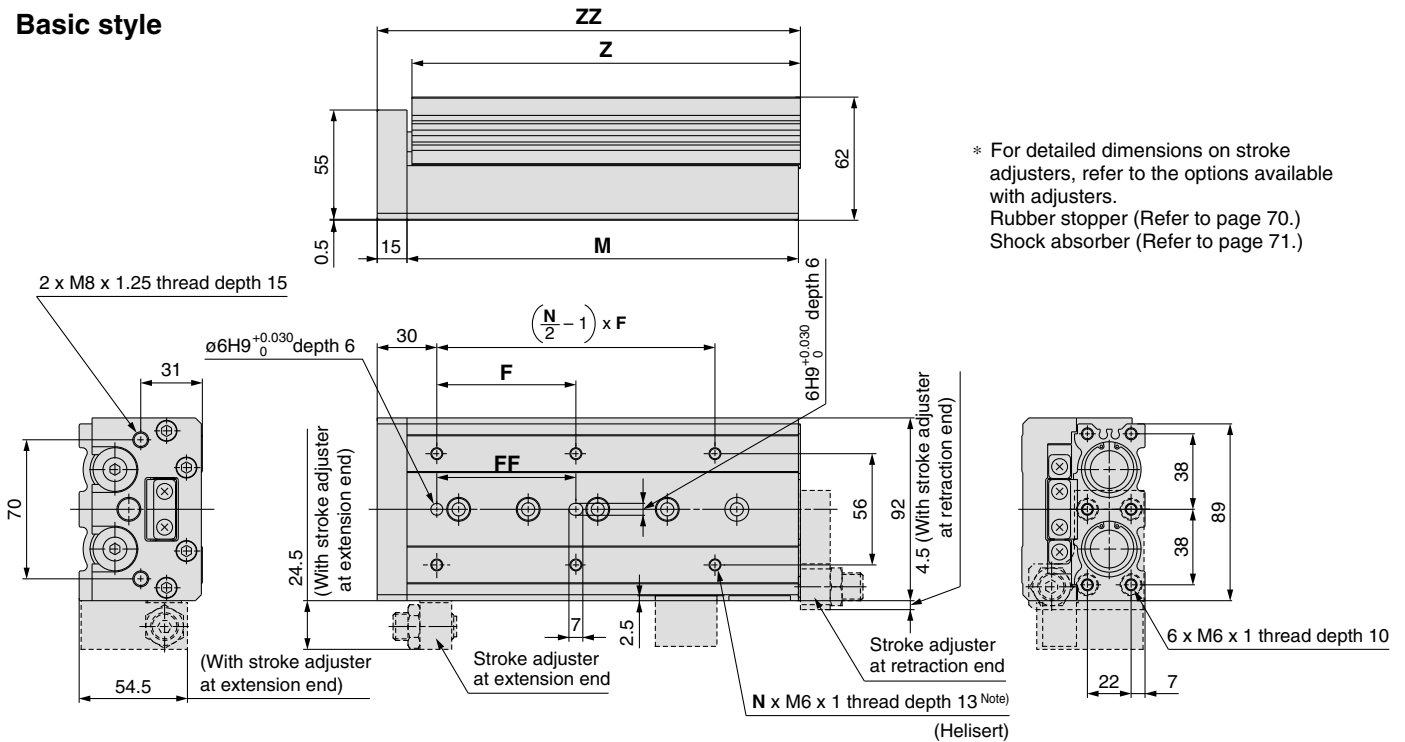
* Since there are additional applicable auto switches than are listed, refer to page 82 for details.
* For details on auto switches with a pre-wired connector, refer to pages 1784 and 1785.
* Auto switches are shipped together (not assembled).

- MXH
- MXU
- MXS**
- MXQ
- MXF
- MXW
- MXJ
- MXP
- MXY
- MTS

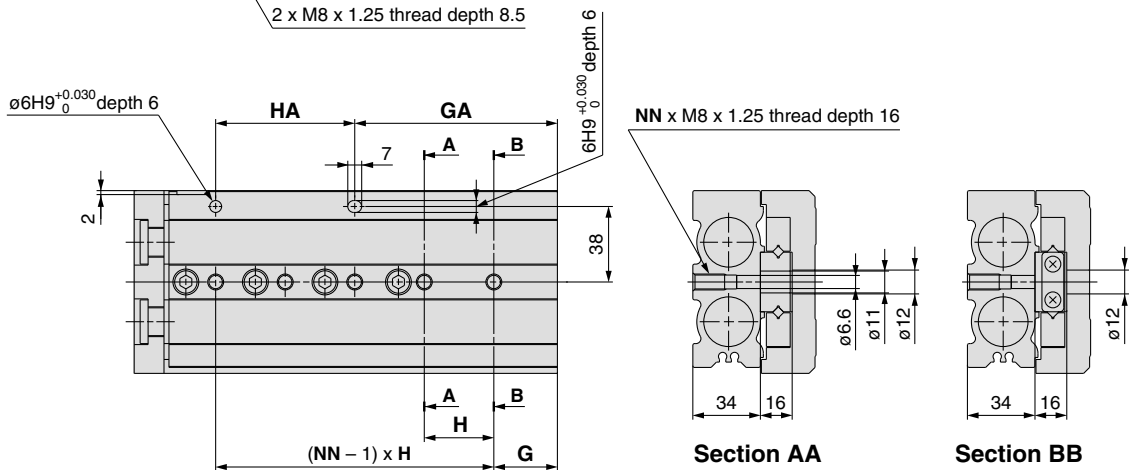
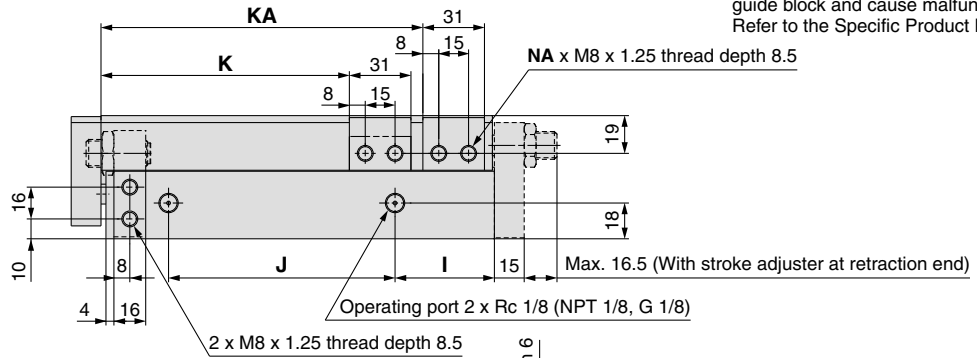
- D-□
- X□
- Individual -X□

Dimensions: MXS25L/Symmetric Type

Basic style



Note) If long bolts are used, they can touch the guide block and cause malfunction, etc. Refer to the Specific Product Precautions.



Model	F	FF	N	G	H	NN	GA	HA	I	J	K	KA	NA	M	Z	ZZ
MXS25L-10	50	40	4	22	45	2	22	45	12	47	35	—	2	92	90.5	108
MXS25L-20	50	40	4	22	45	2	22	45	12	47	45	—	2	92	90.5	108
MXS25L-30	50	40	4	22	45	2	22	45	12	47	55	—	2	92	90.5	108
MXS25L-40	60	50	4	22	55	2	22	55	12	57	65	—	2	102	100.5	118
MXS25L-50	35	35	6	20	35	3	55	35	12	70	75	—	2	115	113.5	131
MXS25L-75	60	60	6	26	35	4	61	70	33	90	100	—	2	156	154.5	172
MXS25L-100	70	70	6	32	35	5	102	70	50	114	125	162	4	197	195.5	213
MXS25L-125	75	75	8	40	38	6	154	76	67	155	150	218	4	255	253.5	271
MXS25L-150	80	80	8	30	40	7	190	80	82	180	175	258	4	295	293.5	311

(mm)

Regarding the external dimensions with a shock absorber, view the external dimensions of MXS25 symmetrically on page 69.

- MXH
- MXU
- MXS**
- MXQ
- MXF
- MXW
- MXJ
- MXP
- MXY
- MTS

- D-□
- X□
- Individual
- X□