

Dot laser, red, 650 nm, 1 mW

LFD650-1-3(12x30.5)
Order Number: 70104080

Main Parameters (*)	min	typ	max	Unit
Wavelength		650		nm
Optical Diode Power		1		mW
Operating Voltage	2.7	3	3.3	V DC
Operating Current	5	10	15	mA
Operating Temperature	-20		40	°C
Storage Temperature	-40		80	°C

Main Data

Warranty 1 years

Technical Parameters

Lifetime > 3,000 h
RoHS yes

Optical Parameters

Beam Shape Dot
Laser Class 2
Divergence H - 1.0 mrad
Size of Laserdot adjustable
Operating Distance 10 m
Optics acryl lense
Laser technology diode
Focus adjustable

Electrical Parameters

Potential of Housing VDD(+)
Power Supply LFNT-3

Mechanical Parameters

Size Ø12x30.5 mm
Material Brass
Cable length 100 mm
Wire type 26AWG, 0,14mm²
Output Aperture 3 mm
Weight 15 g

(*) Over the complete operating temperature range

Features

- Operating Voltage 3V DC
- Laser Class 2
- Low cost
- Adjustable focus
- Compact size

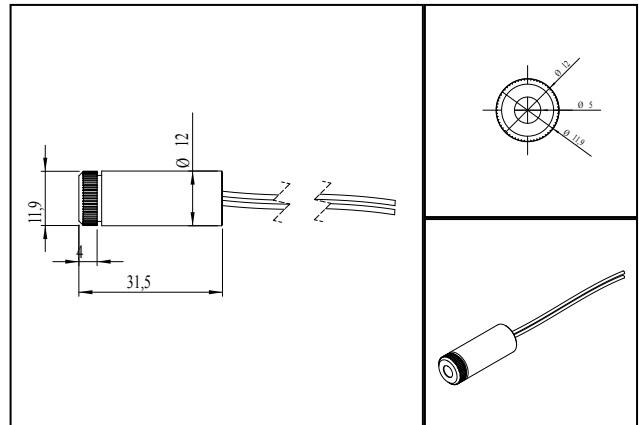
Picture



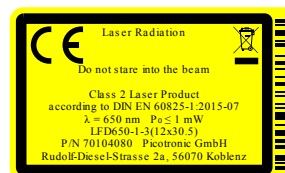
Cable color

Ground		black	GND
positive		red	2.7 - 3.3, typ 3 V DC

Drawing



Safety Label



Valid Revision

10 | 03-JAN-2022