

593126 + 593151

593151

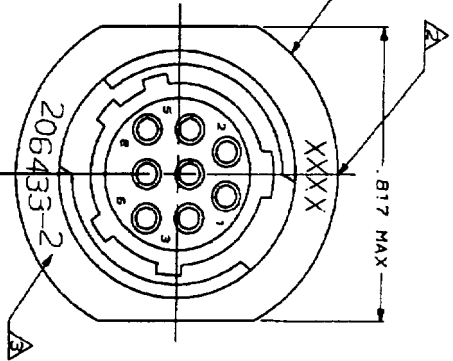
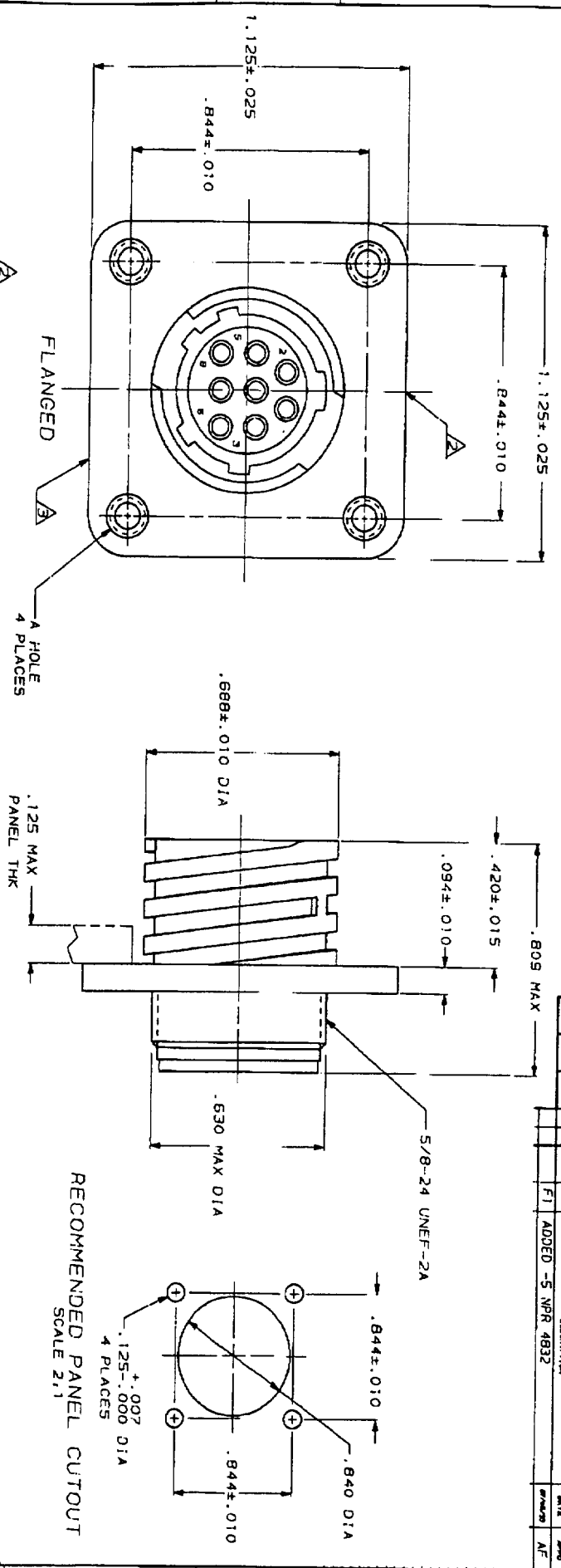
THIS DRAWING IS THE PROPERTY OF AMP INCORPORATED. ALL INFORMATION, RIGHTS RESERVED. 15

REVISED FOR PUBLICATION

REVISIONS

| NO | DATE | BY | CHKD | APPD |
|----|------|----|------|------|
| 4  | 80   | 35 |      |      |

ADDED -5 WPR 4832



FREE HANGING

- CONTACT CAVITIES IDENTIFIED BY CHARACTERS ON FRONT AND REAR FACE.
- AMP MOLDED ON THIS SURFACE.
- PART NUMBER AND DATE CODE MARKED ON THIS SURFACE.
- 206433-4 STRIPPED WIRE LENGTH SHOULD BE .199-.213 WITH .095 MAX INSULATION.

|            |                 |    |                                 |          |
|------------|-----------------|----|---------------------------------|----------|
| SMALL PACK | .125 DIA        | 20 | FLANGED                         | 206433-5 |
| STANDARD   | .125 DIA        | 20 | INSULATION SUPPORT              | 206433-4 |
| STANDARD   | 4-40 BRASS      | 20 | FLANGED                         | 206433-3 |
| STANDARD   | THREADED INSERT | 20 | FREE HANGING                    | 206433-2 |
| STANDARD   | .125 DIA        | 20 | FLANGED                         | 206433-1 |
| PACKAGING  | A               | 20 | WILL ACCEPT SOCKET CONTACT SIZE | 593151   |

DO NOT SCALE PRINT.

UNLESS SPECIFIED DIMENSIONS IN INCHES

TOLERANCES IN INCHES

2 DEC DEC ± .001

3 DEC DEC ± .005

FINISH

NYLON, GLASS FILLED, FLAME RETARDED, BLACK

APPROVALS

|         |               |         |               |
|---------|---------------|---------|---------------|
| DATE    | BY            | CHKD    | APPD          |
| 1-25-88 | J. INCLINTON  | 1-26-88 | R. STONE      |
| 1-27-88 | M. KANEZINSKI | 1-27-88 | M. KANEZINSKI |

AMP INCORPORATED  
Mentor, PA 17105-3608

RECEPTACLE ASSEMBLY, ARRANGEMENT 11-8 REVERSE SEX, CPC

SIZE 00779

SCALE 4:1

DRAWING NO. 206433

SHEET 1 OF 1

CUSTOMER DRAWING