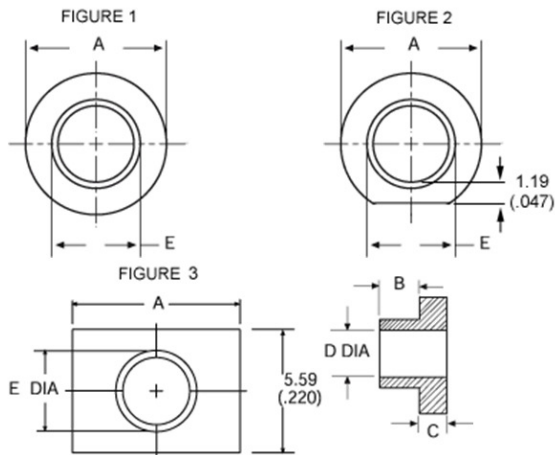




# Shoulder Washers

## RoHS Compliant

- 40% glass filled polyphenylene sulfide (PPS).
- Chemically inert [no known solvents under 200°C (392°F)]
- Maximum recommended service temperature of 260°C (500°F)
- Recommended torque is 0.565Nm to 0.678Nm (5 to 6 inch-pounds) on all shoulder washers except -7, which has recommended torque of 0.452Nm (4 inch-pounds).



## Polyphenylene Sulfide PPS Shoulder Washers

Note: A single gate extension, not to exceed 0.64mm (0.025") in length, is allowable on the outside of all shoulder washers.

Model	RoHS	PCN	A	B	C	D	E	Screw Size	Fig.
7721-1PPSG	RoHS Compliant	Product Change Notice	7.11 (0.280)	3.18 (0.125)	1.07 (0.042)	2.84 (0.112)	3.81 (0.150)	4	1
7721-3PPSG	RoHS Compliant	Product Change Notice	7.11 (0.280)	3.18 (0.125)	1.07 (0.042)	2.84 (0.112)	3.56 (0.140)	4	1
7721-4PPS	RoHS Compliant	N/A	7.92 (0.312)	.79 (0.081)	1.19 (0.047)	3.71 (0.146)	4.83 (0.190)	6	1
7721-5PPSG	RoHS Compliant	Product Change Notice	7.92 (0.312)	.79 (0.031)	1.19 (0.047)	3.66 (0.144)	4.50 (0.177)	6	1
7721-6PPSG	RoHS Compliant	Product Change Notice	7.11 (0.280)	.79 (0.031)	1.19 (0.047)	3.00 (0.118)	3.68 (0.145)	4	1
7721-7PPSG*	RoHS Compliant	Product Change Notice	5.46 (0.215)	.81 (0.032)	1.02 (0.040)	2.95 (0.116)	3.43 (0.139)	4	1
7721-8PPSG	RoHS Compliant	Product Change Notice	6.22 (0.245)	1.02 (0.040)	1.02 (0.040)	3.02 (0.119)	3.56 (0.140)	4	2
7721-9PPSG	RoHS Compliant	N/A	7.62 (0.300)	1.22 (0.048)	1.40 (0.055)	2.97 (0.117)	3.56 (0.140)	4**	3
7721-10PPSG	RoHS Compliant	Product Change Notice	7.62 (0.300)	2.41 (0.095)	1.40 (0.055)	2.97 (0.117)	3.56 (0.140)	4**	3

\* Design allows insertion in the tab of a TO-220.

\*\* Also for M3 Screw