



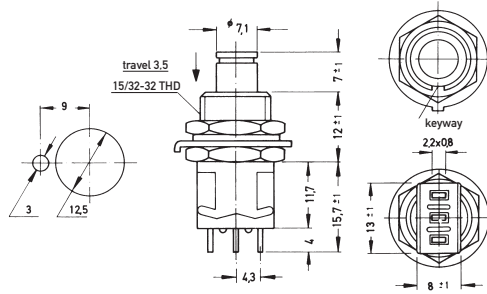
Miniature Pushbutton Switches heavy duty series

Models: Switching functions

S P D T

MPG 106 F
MPG 106 D

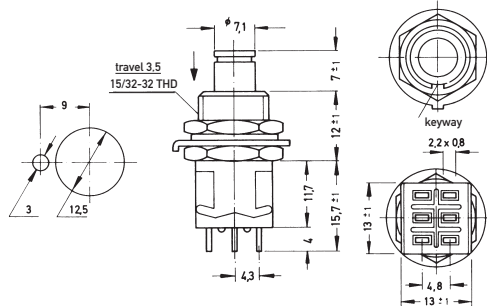
* on - mom
on - on



D P D T

MPG 206 R
MPG 206 N

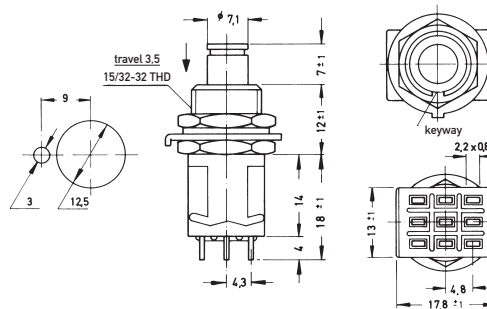
* on - mom
on - on



3 P D T

MPG 306 F
MPG 306 D

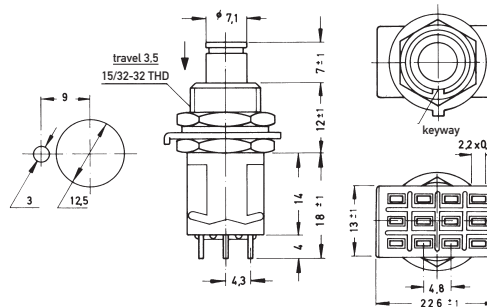
* on - mom
on - on



4 P D T

MPG 406 R
MPG 406 N

* on - mom
on - on



* When looking at the brand name the normally closed contact is on the right-hand side.