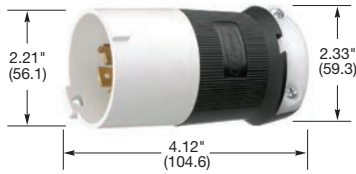


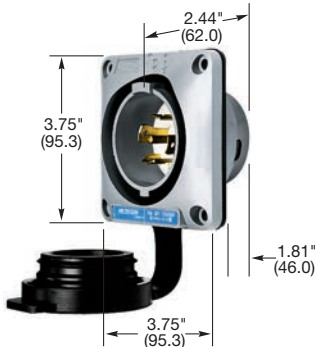
HBL2811SW



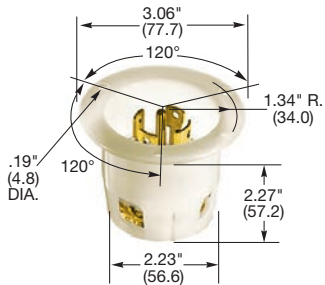
HBL2811S



HBL2811



HBL2815SW



HBL2815



HBL3PT2811

Dimensions in Inches (mm)

Plugs

Watertight Safety-Shroud®

IP66 SUITABILITY UL Type 4x, 12

Description	Cord Dia.	Catalog Number		
Black Valox® housing, white Valox® clamps.	.350"-1.150" (9-29)	HBL2811SW	HBL2821SW	HBL2831SW

Safety-Shroud®

IP20 SUITABILITY

Description	Cord Dia.	Catalog Number		
Black and white nylon body, white Valox® shroud. Can be used with the Insulgrip Connector Bodies.	.350"-1.150" (9-29)	HBL2811S	-	-

Note: See page B-40 for accessories.

Insulgrip®

IP20 SUITABILITY

Description	Cord Dia.	Catalog Number		
Black and white nylon.	.350"-1.150" (9-29)	HBL2811	HBL2821	HBL2831
Corrosion resistant, yellow nylon.	.350"-1.150" (9-29)	HBL28CM11	-	-
Black and white for flat cable.	.350"-1.150" (9-29)	HBL2811FC	-	-
All black nylon.	.350"-1.150" (9-29)	HBL2811BK	-	-

Note: See page B-53 for accessories.

Flanged Inlets

Watertight Safety-Shroud®

IP66 SUITABILITY UL Type 4x, 12

Description	Catalog Number
Gray Valox® housing and flange.	HBL2815SW

Note: See page B-54 for accessories.

Insulgrip®

IP20 SUITABILITY

Description	Catalog Number
Nylon casing, back wired.	HBL2815 HBL2825 HBL2835

Note: See page B-52 for accessories.

See pages B-69 and B-70 for technical information on Twist-Lock and Watertight Safety-Shroud devices.

Twist-Lock® 3-Phase Circuit Tester



Description	Rating	Catalog Number
3-Phase Circuit Tester	3Ø 120/208V AC Min. Voltage: 90V AC	HBL3PT2811

Note: Testers in other NEMA configurations can be developed upon request.

HBLMITL - For use with Watertight Safety-Shroud receptacles, see page B-39.



Valox® is a trademark of SABIC Innovative Plastics, acquired from General Electric Company.