

CT10 Series Encapsulated Switch



CT10 Series

The CT10 is an encapsulated dry reed switch. It is single-pole, single throw (SPST) type, having normally open ruthenium contacts.

The sensor is a double-ended type and may be actuated with an electromagnet, a permanent magnet or a combination of both.

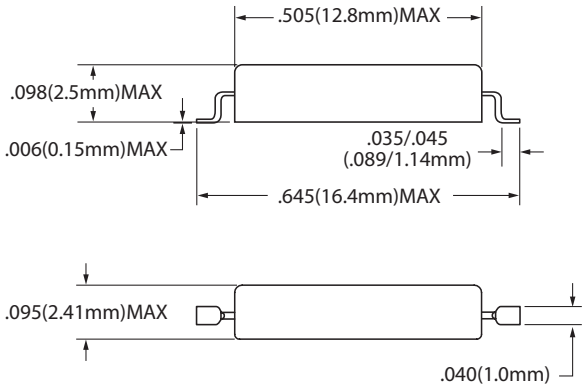
The device is designed for SMD mounting and is available in three lead configurations.

CT10 Series Features

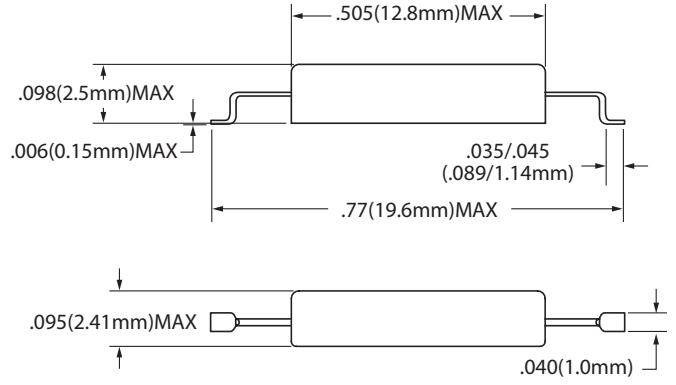
- ◆ Ideal for SMD pick and place
- ◆ Tape and reel packaging
- ◆ 10W rating
- ◆ Rugged encapsulation
- ◆ Excellent life and reliability

Applications:

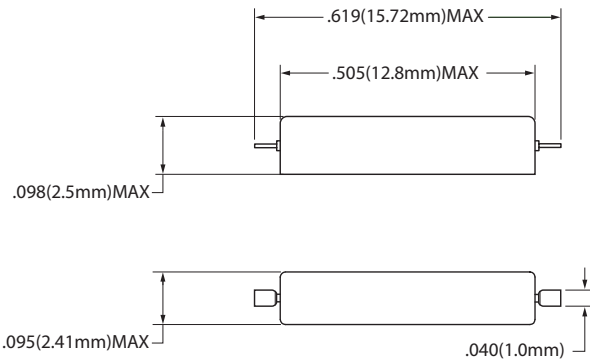
- ◆ Proximity Sensor
- ◆ Security Alarm Sensor
- ◆ Level Sensor
- ◆ Flow Sensor
- ◆ Pulse Counter



CT10-XXXX-G1



CT10-XXXX-G4



CT10-XXXX-A2

Dimensions in Inches (Millimeters)

ORDERING INFORMATION

A complete part number is represented by the digits to the right of the CT10 series prefix followed by a suffix as shown below.

Example: CT10-1030-G1 is

- a CT10 sensor (10mm encapsulated switch)
- with a sensitivity range from 10 to 30AT
- lead ends are formed according to the G1 version

CT10-XXXX-YY

Lead Configuration Subset:

- G1** for Gull Wing version 1
- G4** for Gull Wing version 2
- A2** for Axial

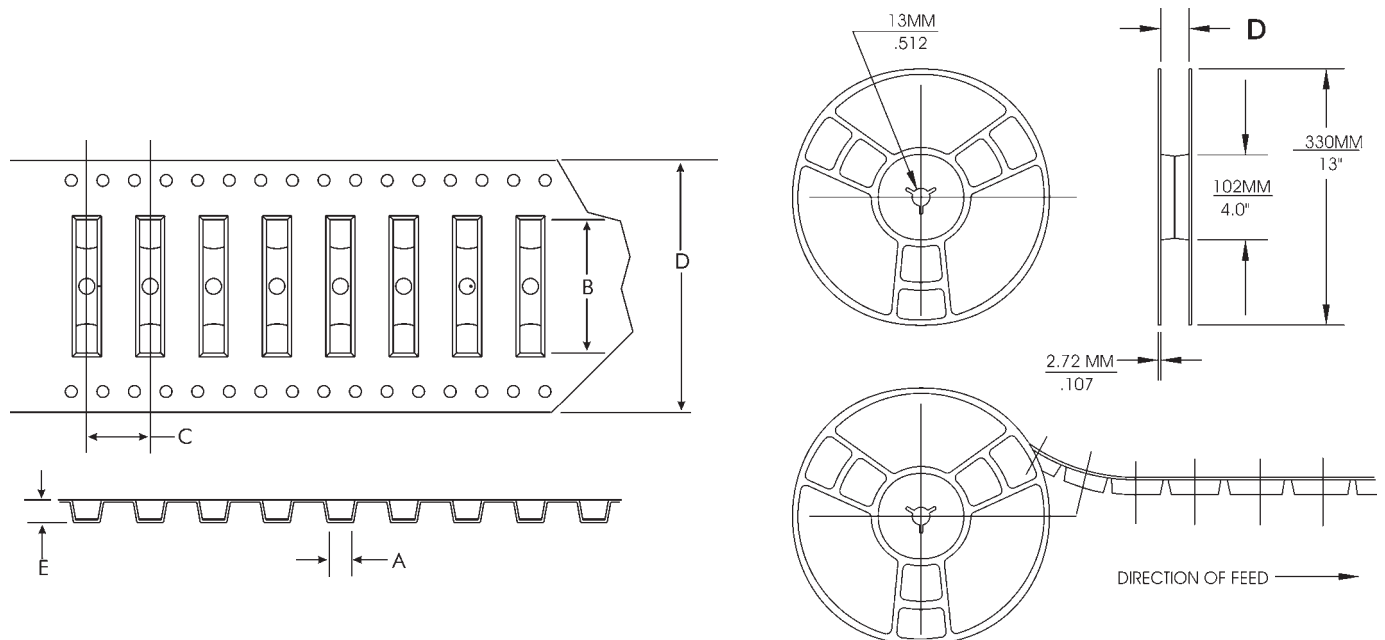
AT Range
(after mold & lead form)

Series

CT10 Series Encapsulated Switch

Model Number		CT10-XXXX-YY
Parameters	Units	
OPERATING CHARACTERISTICS		
Operate Range	AT	10-40
Release Range	AT	3-35
ELECTRICAL CHARACTERISTICS		
Switched Power (max)	W	10
Switched Voltage DC (max)	V	200
Switched Voltage AC, RMS value (max)	V	140
Switched Current DC (max)	mA	500
Switched Current AC, RMS value (max)	mA	500
Carry Current DC (max)	A	0.5
Breakdown Voltage (min)	V	230
Contact Resistance (initial max)	m Ω	200
Insulation Resistance (min)	M Ω	10 ⁶
ENVIRONMENTAL RATINGS		
Storage Temperature	°C	-40 to + 125
Operating Temperature	°C	-40 to + 125
Soldering Temperature	°C	260

*Specifications are based on standard switch. Contact factory for other possibilities.



(Dimensions in Millimeters)

Series	A	B	C	D	E	Std. Qty / Reel
CT10 A2	2.70	15.90	8.00	32.00	2.80	2500
CT10 G1	2.70	16.90	8.00	32.00	3.30	2500
CT10 G4	2.90	20.50	8.00	32.00	2.55	2500