

Amphenol Canada Corp - Product Change Notice (PCN)

PCN Date	April 11, 2017
Supplier Name:	Amphenol Canada Corp.
Amphenol Canada PCN Number	PCN-C1295
Description of Change	Change the 2port shield current surface finish from unplated stainless steel shield with tin dipping on PCB tails to shield plated with nickel underplating & selective matte tin plating on PCB tails.
Reason for Change	To improve the consistency of the tin application to grounding tabs
Summary of changes between new and old part	The shield plating and the PCB tails tin dipping feature changed; it does not affect the overall form/fit/ function of the connector.
Traceability guidelines (lot code / date code, markings, ship date...)	The new product will be controlled by date code after confirmed the new sample; Expected to cut in during date code 1724.
Last Time Buy Date	N/A
Datasheet attached? & Filename(s)	RJHSE-538X-02-REVG, RJHSE-538X-A2-REVD
Qual Test data attached? & Filename(s)	TR9240704

Customer Part Number	Amphenol Old Part Number	Amphenol New Part Number	PCN Effectivity Date	Samples Availability Date	Last Time Buy Date	Expected Supplier Qual Date
	RJHSE-538X-02	NO CHANGE	14-Jun-17	11-Apr-17	N/A	
	RJHSE-538X-A2	NO CHANGE	14-Jun-17	11-Apr-17	N/A	

Form # 9011065, Rev A

Before changed

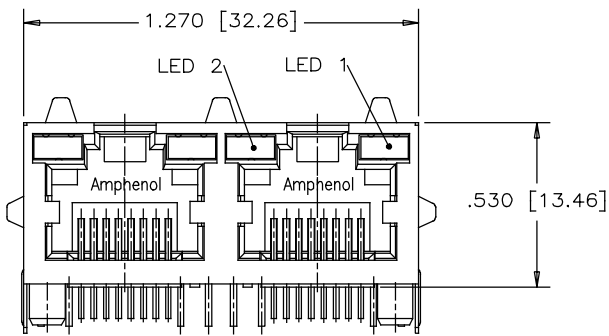


Tin dipping on PCB tails

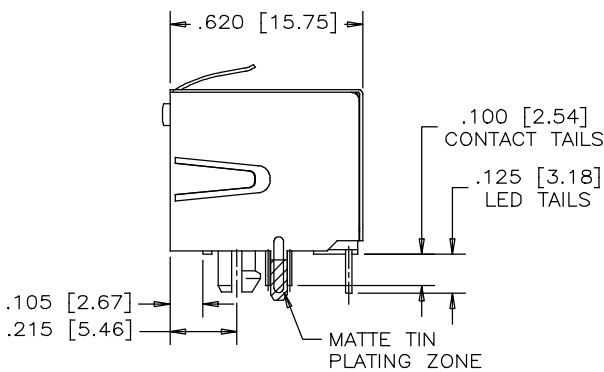
After changed



Plated with nickel under-plating
& selective matte tin plating on
PCB tails

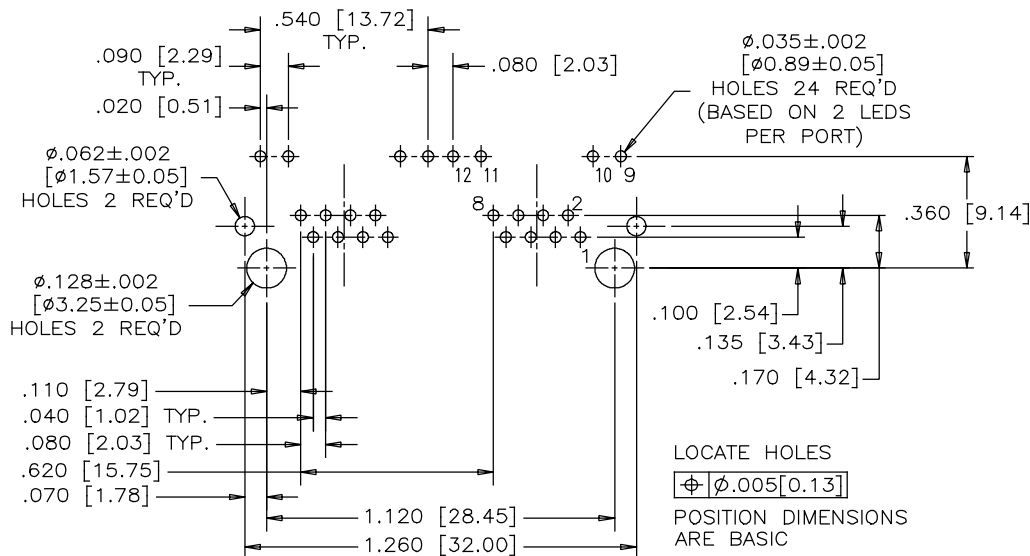
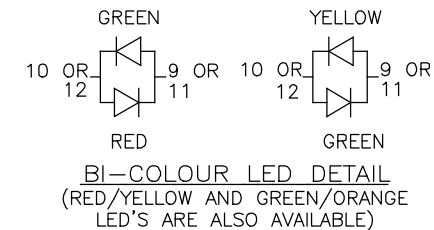


FRONT VIEW

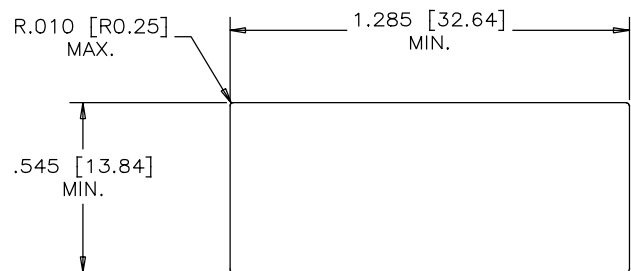


SIDE VIEW

REVISIONS			
REV	DESCRIPTION, ECN, EAR NO.	DATE	APP'D
D	PROPOSAL	MAY 18/06	L.CHAN
E	PROPOSAL	NOV 03/10	L.CHAN
F	CHANGE SHIELD'S MATERIAL PER ECN 160658	JUN 14/16	L.CHAN
G	CHANGE SHIELD'S PCB TAIL PLATING	FEB 22/17	L.CHAN



RECOMMENDED P.C.B. LAYOUT
(COMPONENT SIDE OF BOARD)

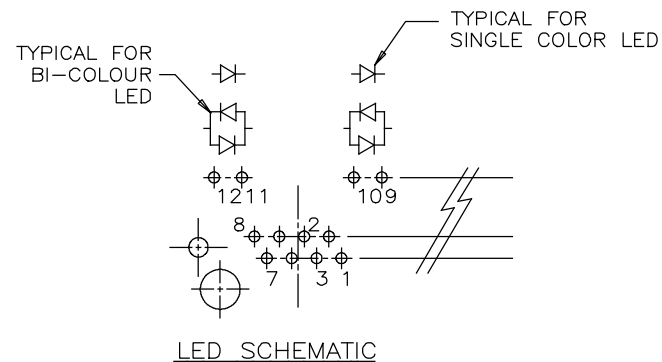


RECOMMENDED PANEL CUTOUT

LOCATE HOLES

⊕ Ø.005 [0.13]

POSITION DIMENSIONS ARE BASIC



LED SCHEMATIC

MATERIALS:

PLASTIC HOUSING: HIGH TEMPERATURE THERMOPLASTIC
FLAMMABILITY RATING UL 94V-0, COLOUR: BLACK

CONTACTS: PHOSPHOR BRONZE

PLATING: 50 μ" [1.27 MICRONS]
MIN. GOLD ON MATING SURFACES

50 μ" [1.27 MICRONS]
MIN. NICKEL UNDERPLATE

100 μ" [2.54 MICRONS]
MIN. MATTE TIN ON CONTACT TAILS.

SHIELD: STAINLESS STEEL WITH MATTE TIN PLATING ON SOLDER TAIL.

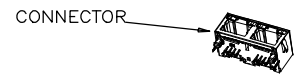
RECOMMENDED SOLDERING TEMPERATURE:
WAVE SOLDERING AT 260°C MAXIMUM FOR 5 SEC MAXIMUM.

PART NUMBER: RJHSE-538X-02

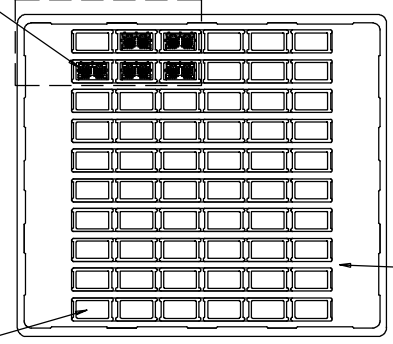
REFER TO LED OPTIONS DRAWING FOR ORDERING CODES

UNLESS SPECIFIED OTHERWISE		DRAWN PWANG	DATE MAY 18/08	Amphenol Canada Corp. www.amphenolcanada.com
PRIMARY UNITS INCH	CHECKED CHIGOW	M.E. APP'D	MAY 18/08	
SECONDARY MILLIMETER	Q.A. APP'D	DWG APPR.	ENG. REL. NO.	TITLE
REFERENCE IN PARENTHESES	REF.	THIRD ANGLE PROJECTION	DO NOT SCALE DRAWING	2 PORT HIGH SPEED MODULAR JACK, 8 POSITION, 8 CONTACTS, SHIELDED AND WITH LED OPTIONS - RoHS COMPLIANT
GENERAL TOLERANCES				DWG. NO.
1 DECIMAL PLACE ±0.025				P-RJHSE-538X-02
2 DECIMAL PLACES ±0.020				REV G
3 DECIMAL PLACES ±0.015				
ANGULAR DEGREES ±1.0°				
				CODE ID NO. 03554 DWG SIZE: c SCALE: N/A SHEET 1 OF 2

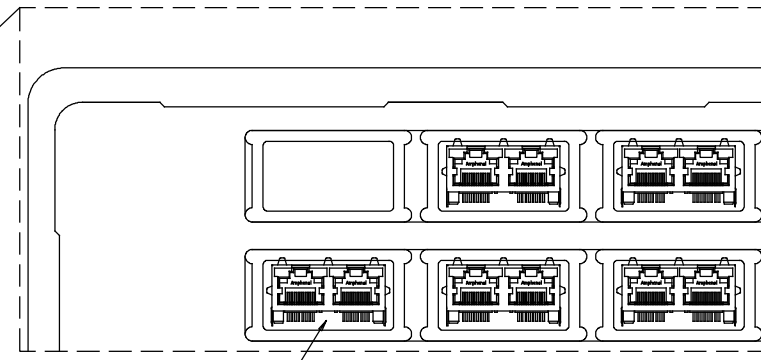
REVISIONS			
REV	DESCRIPTION, ECN, EAR NO.	DATE	APP'D
D	PROPOSAL	MAY 18/06	L.CHAN
E	PROPOSAL	NOV 03/10	L.CHAN
F	CHANGE SHIELD'S MATERIAL PER ECN 160658	JUN 14/16	L.CHAN
G	CHANGE SHIELD'S PCB TAIL PLATING	FEB 22/17	L.CHAN



CONNECTOR PLACE SCHEMATIC

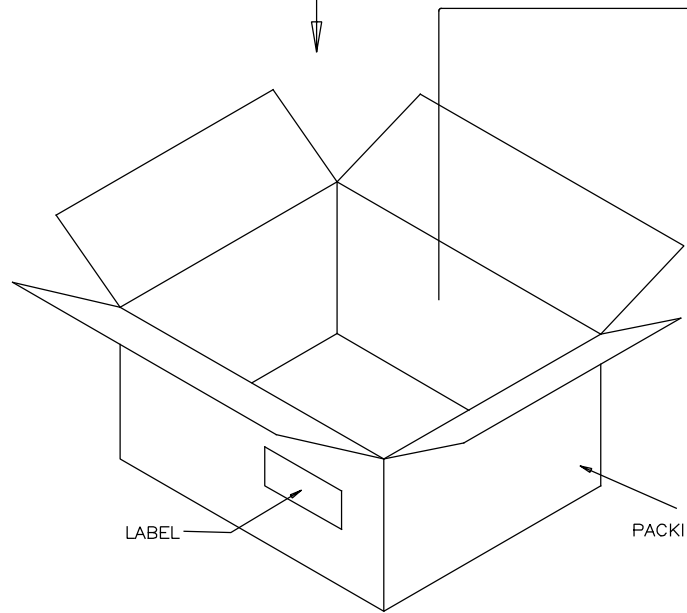


EMPTY ONE POCKET CAVITY AT EACH CORNERS (EMPTY 4 POCKET CAVITY)



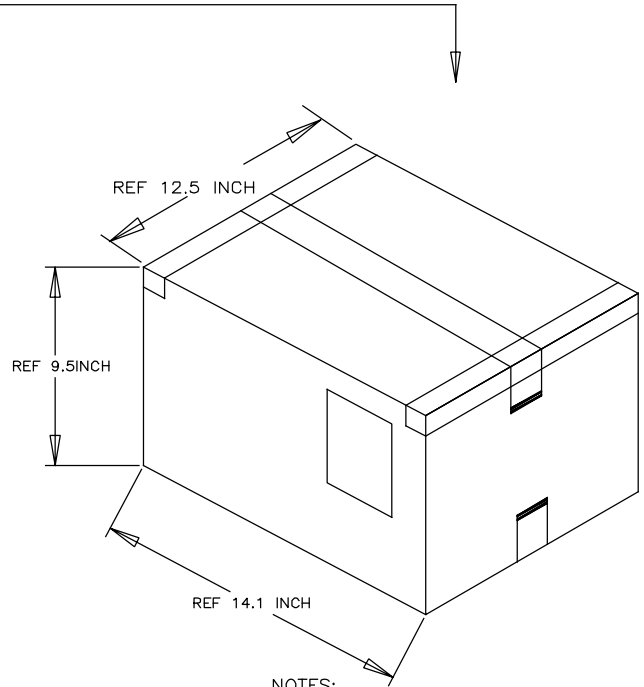
CONNECTOR PLACE SCHEMATIC SCALE 4:1

PACKING TRAY



LABEL

PACKING CARTON

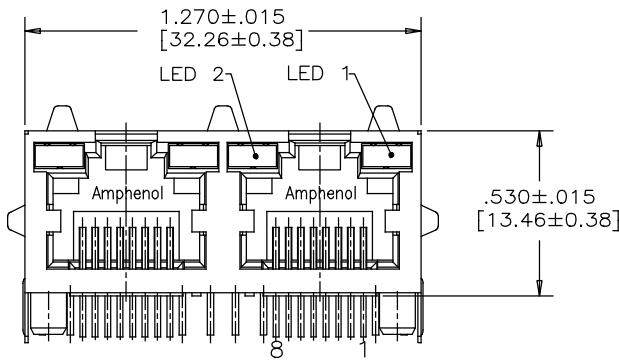


NOTES:
 PACKAGING QUANTITY:
 1. 56PCS / TRAY
 2. 8 TRAYS / CARTON
 448 PCS CONNECTORS / CARTON

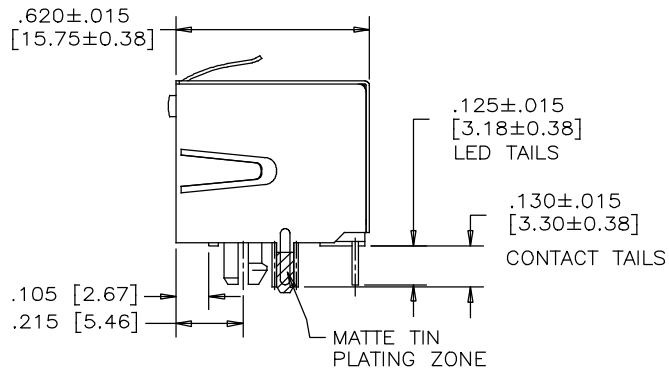
UNLESS SPECIFIED OTHERWISE	DRAWN PAULW	DATE MAY 18/06
PRIMARY UNITS INCH	CHECKED CHIGOW	DATE MAY 18/06
SECONDARY MILLIMETER	M.E. APP'D	
REFERENCE IN PARENTHESES	Q.A. APP'D	
GENERAL TOLERANCES	DWG APPR.	
1 DECIMAL PLACE ±0.025	ENG. REL. NO.	
2 DECIMAL PLACES ±0.020	REF.	
3 DECIMAL PLACES ±0.015	THIRD ANGLE PROJECTION	DO NOT SCALE DRAWING
ANGULAR DEGREES ±1.0°		

Amphenol Canada Corp.		www.amphenolcanada.com
TITLE		
2 PORT HIGH SPEED MODULAR JACK, 8 POSITION, 8 CONTACTS, SHIELDED AND WITH LED OPTIONS - RoHS COMPLIANT		
DWG. NO.	P-RJHSE-538X-02	REV
CODE ID NO. 03554	DWG SIZE: C	SCALE: N/A
SHEET 2		OF 2

THIS DOCUMENT CONTAINS PROPRIETARY INFORMATION AND SUCH INFORMATION MAY NOT BE DISCLOSED TO OTHERS FOR ANY PURPOSE OR USED FOR MANUFACTURING PURPOSES WITHOUT WRITTEN PERMISSION FROM AMPHENOL CANADA CORP.

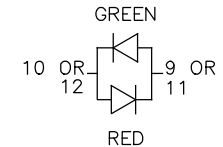


FRONT VIEW

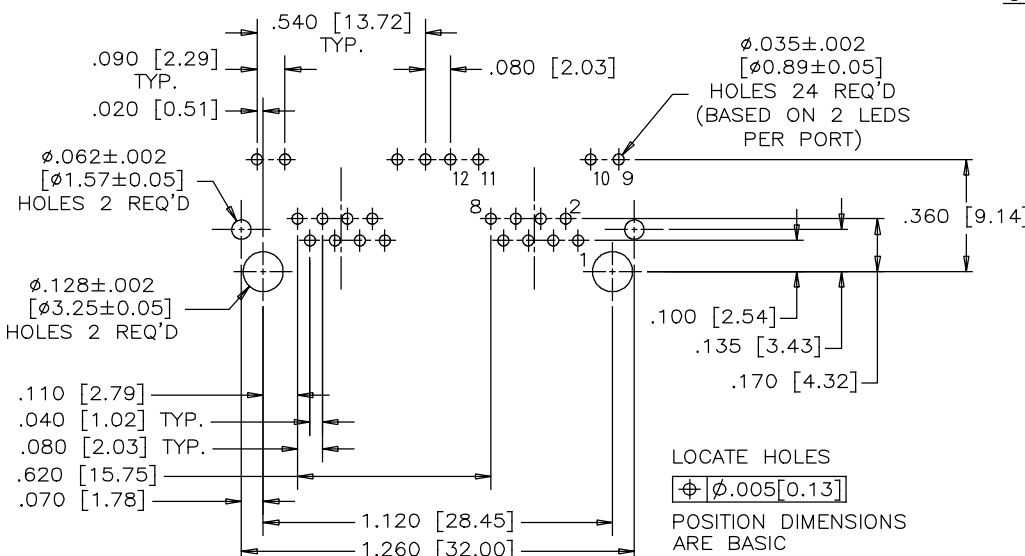


SIDE VIEW

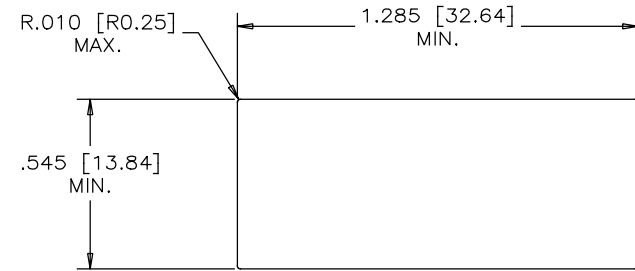
REVISIONS			
REV	DESCRIPTION, ECN, EAR NO.	DATE	APP'D
A	PROPOSAL	DEC 21/06	L.CHAN
B	PROPOSAL	OCT 23/08	L.CHAN
C	CHANGE SHIELD'S MATERIAL PER ECN 160658	JUN 14/16	L.CHAN
D	CHANGE SHIELD PCB TAIL PLATING	APR 12/17	L.CHAN



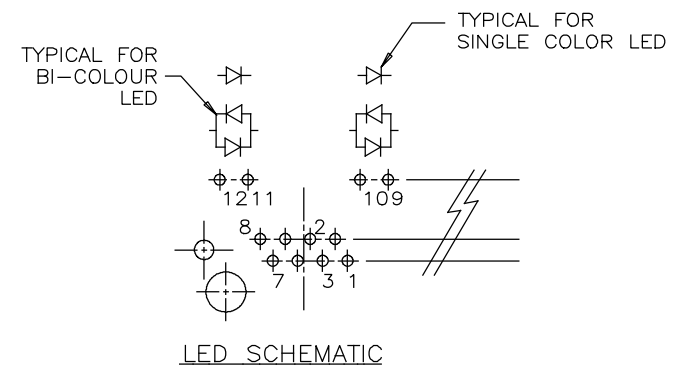
BI-COLOUR LED DETAIL
(YELLOW/GREEN, RED/YELLOW AND GREEN/ORANGE LED'S ARE ALSO AVAILABLE)



RECOMMENDED P.C.B. LAYOUT
(COMPONENT SIDE OF BOARD)



RECOMMENDED PANEL CUTOUT



LED SCHEMATIC

LOCATE HOLES
 $\phi \pm \phi .005 [0.13]$
 POSITION DIMENSIONS ARE BASIC



MATERIALS:

- PLASTIC HOUSING: HIGH TEMPERATURE THERMOPLASTIC
FLAMMABILITY RATING UL 94V-0
- CONTACTS: PHOSPHOR BRONZE
PLATING: 50 MICRO" [1.27 MICRONS] MIN. NICKEL.
50 MICRO" [1.27 MICRONS] MIN. GOLD ON MATING SURFACES.
100 MICRO" [2.54 MICRONS] MIN. MATTE TIN ON CONTACT TAILS.
- SHIELD: STAINLESS STEEL WITH MATTE TIN PLATING ON SOLDER TAIL.

PART NUMBER: RJHSE-538X-A2

REFER TO LED OPTIONS DRAWING FOR ORDERING CODES

UNLESS SPECIFIED OTHERWISE		DRAWN Jack W	DATE DEC 21/06	Amphenol Canada Corp.	
PRIMARY UNITS INCH		CHECKED CHIGOW	DEC 21/06	www.amphenolcanada.com	
SECONDARY MILLIMETER		M.E. APP'D		TITLE 2 PORT HIGH SPEED MODULAR JACK, 8 POSITION, 8 CONTACTS, SHIELDED .130 [3.30] CONTACT TAILS.	
REFERENCE IN PARENTHESES		Q.A. APP'D		WITH LED OPTIONS - RoHS COMPLIANT	
GENERAL TOLERANCES		DWG APPR.		DWG. NO.	P-RJHSE-538X-A2
1 DECIMAL PLACE ±0.025		ENG. REL. NO.		REV	D
2 DECIMAL PLACES ±0.020		REF.		CODE ID NO. 03554 DWG SIZE: c SCALE: N/A SHEET 1 OF 1	
3 DECIMAL PLACES ±0.015		THIRD ANGLE PROJECTION	DO NOT SCALE DRAWING		
ANGULAR DEGREES ±1.0°					