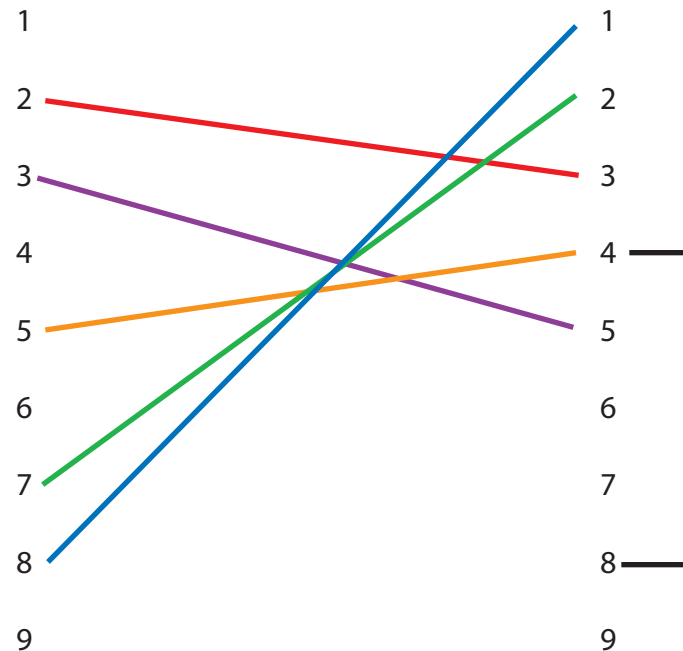
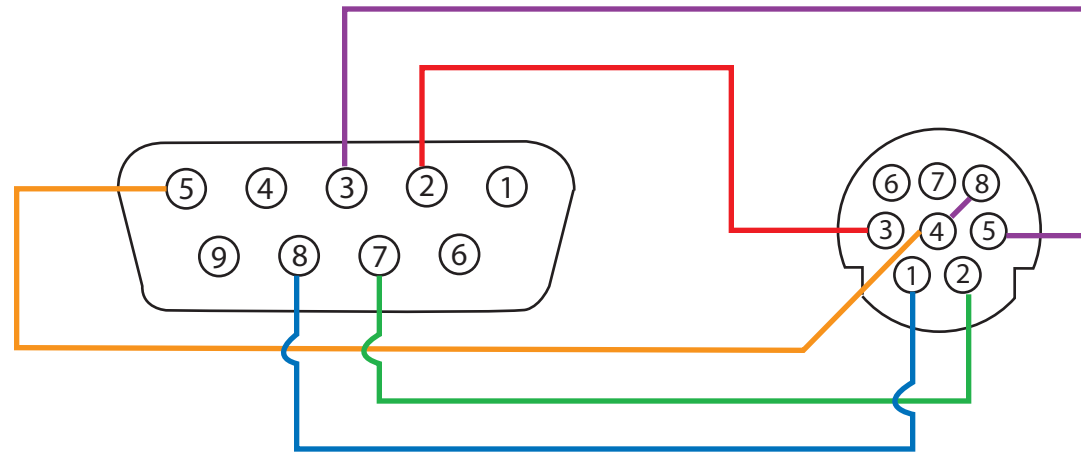


May 5th, 2005

Hosa Technology, Inc.

PINOUT: DBK-103 DBK-110

Typical use: From music synthesizer "HOST" output to computer's serial port for the purposes of transmitting MIDI performance and sysex data.

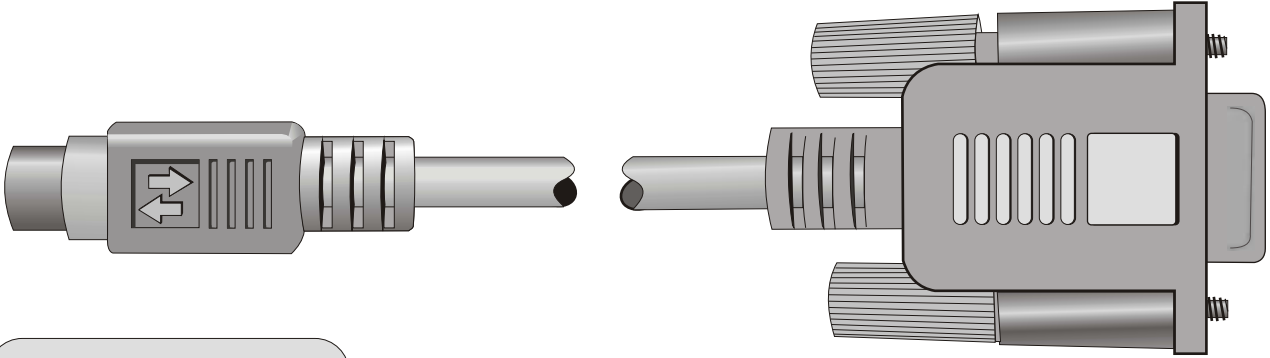


Note: This Pin 4 to Pin 8 Jumper is required by Yamaha gear. It does not affect operation of other brands. Early versions of the Hosa DBK-100 Series did not have this jumper.

DBK-103 & DBK-110

Synthesizer Controller Cable, 8-pin mini-DIN to DE9

Hosa DBK-103 and DBK-110 Sound Module cables are used to send information from Roland, Yamaha, and Korg sound modules to a personal computer.



Pinouts

Shell	——	Shell
1	——	N/C
2	——	3
3	——	5
4	——	N/C
5	——	4
6	——	N/C
7	——	2
8	——	1
9	——	N/C

Construction of wire for DBK-110

Conductor	No. of conductor	5P
	Material	Stranded; tinned copper wire
	AWG size & composition	28 AWG (10 strands / 0.12 mm)
	Diameter	Nominal 0.38mm
Insulation	Material	Semi-rigid Polyvinyl chloride (PVC)
	Nom. thickness	0.28mm
	Nom. Diameter	0.95mm
	Rated Temperature	60 °C
Shield	Material & Manner	Aluminum FOIL
Drain wire	Material	copper wire
	AWG size & composition	26 AWG (15 strands / 0.12mm)
	Diameter	Nominal 0.50mm
Jacket	Material	Polyvinyl chloride (PVC)
	Nom. thickness	1.4mm
	Overall diameter	5.0 mm

DBK-100 SERIES



Hosa Technology

HOSA TECHNOLOGY, 6650 CABALLERO BLVD, BUENA PARK, CA 90620 PHONE: 714.522.8878 FAX: 714.522.4540