

# Crimp Contacts

## Wire to Wire

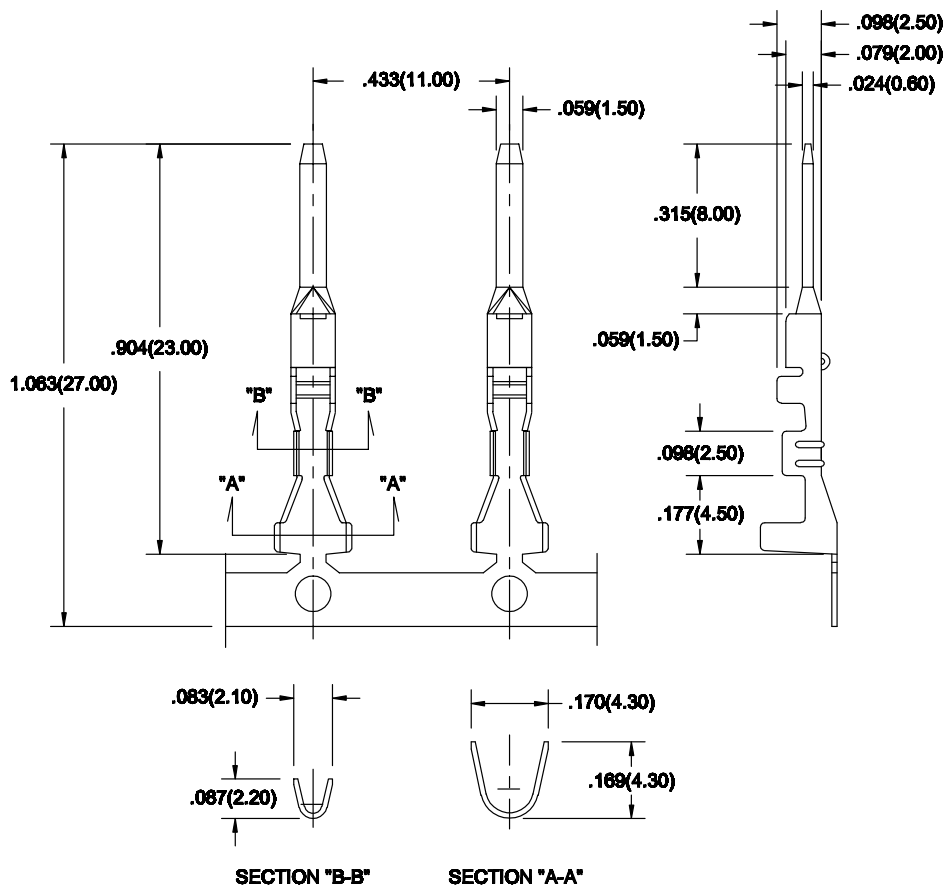
**multicomp** PRO

**RoHS  
Compliant**



### Diagram

For the Part Number: MP013606



Dimensions : Millimetres

### Notes

Material : Brass, Tin Plated  
Wire Range : AWG#20 - #22

Newark.com/multicomp-pro  
Farnell.com/multicomp-pro  
sg.element14.com/b/multicomp-pro

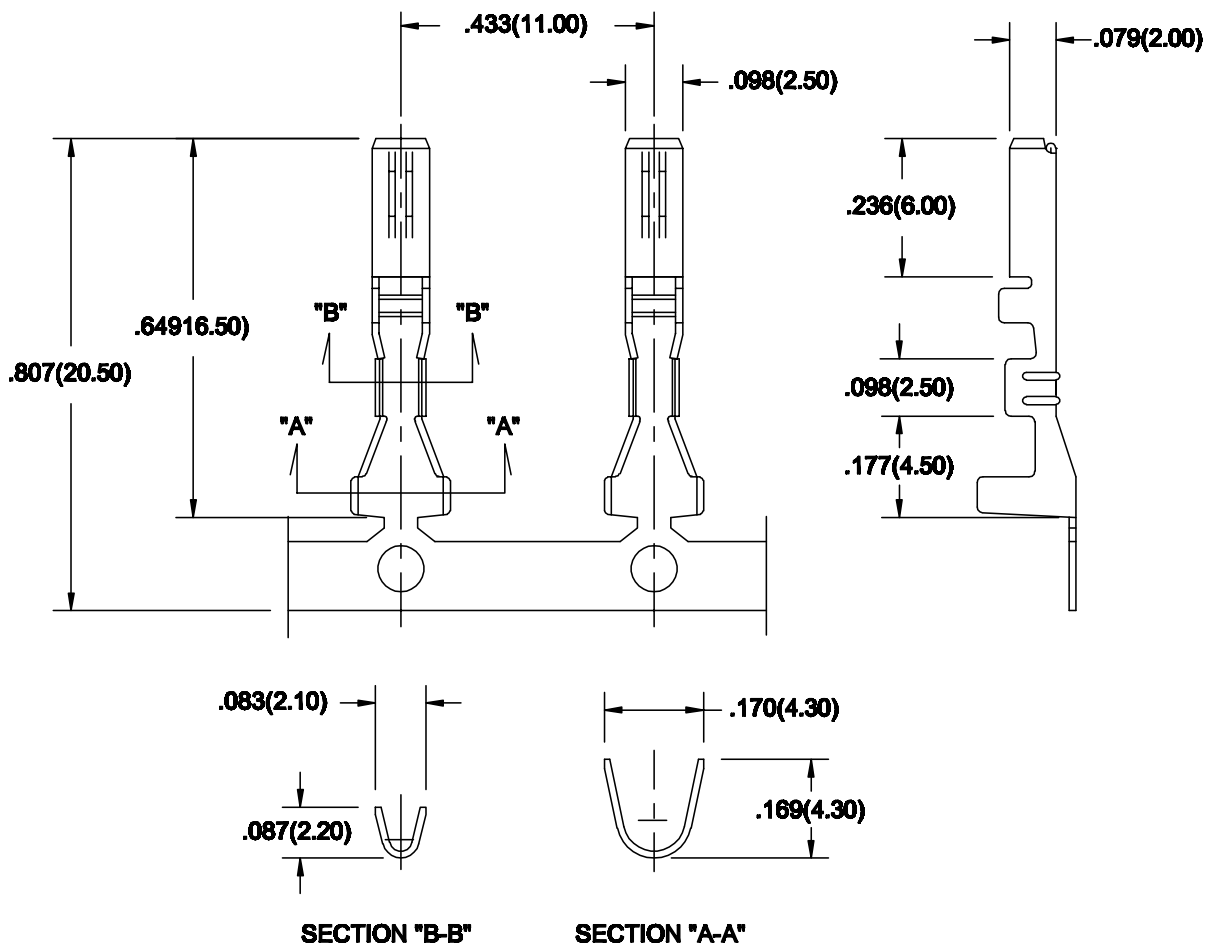
**multicomp** PRO

# Crimp Contacts

## Wire to Wire

multicomp<sup>PRO</sup>

For the Part Number: MP013607



### Notes

- Material : Brass, Tin Plated
- Reel 4Pcs
- Stripl 4Pcs

Dimensions : Millimetres

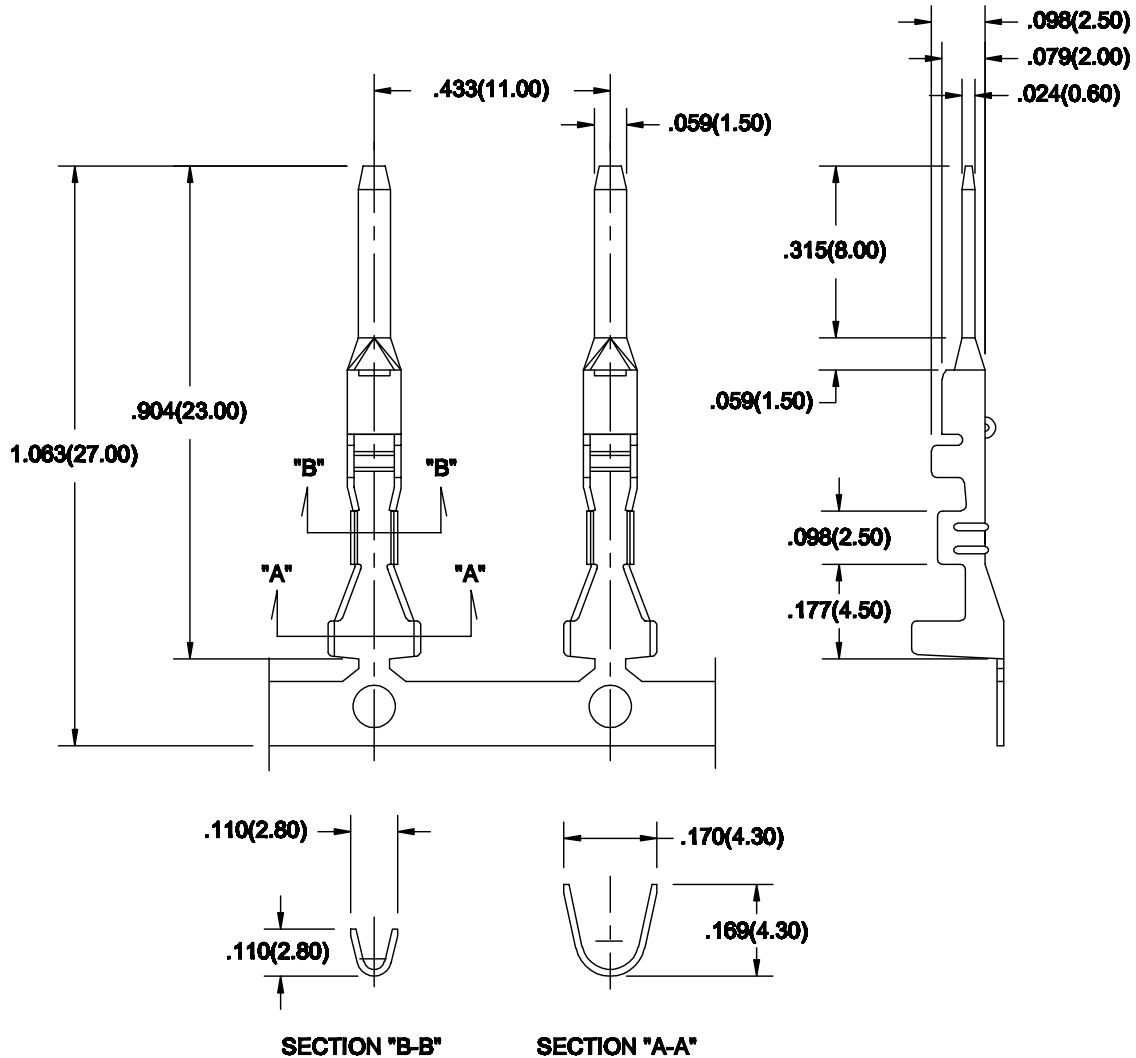
Newark.com/multicomp-pro  
Farnell.com/multicomp-pro  
sg.element14.com/b/multicomp-pro

multicomp<sup>PRO</sup>

# Crimp Contacts

## Wire to Wire

For the Part Number: MP013608



### Notes

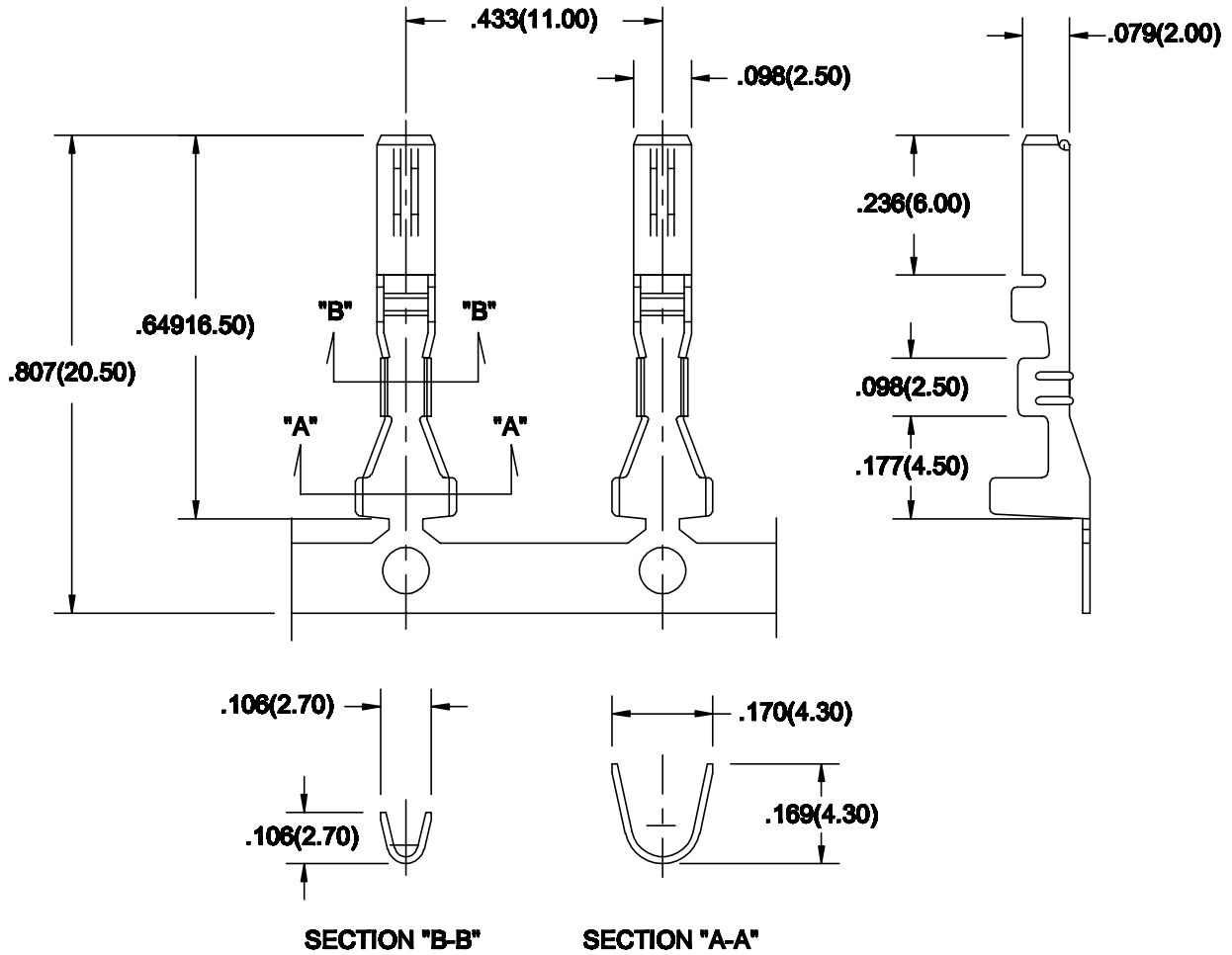
- Material : Brass, Tin Plated
- Reel 4Pcs
- Strip 4Pcs

Dimensions : Millimetres

# Crimp Contacts

## Wire to Wire

For the Part Number: MP013609

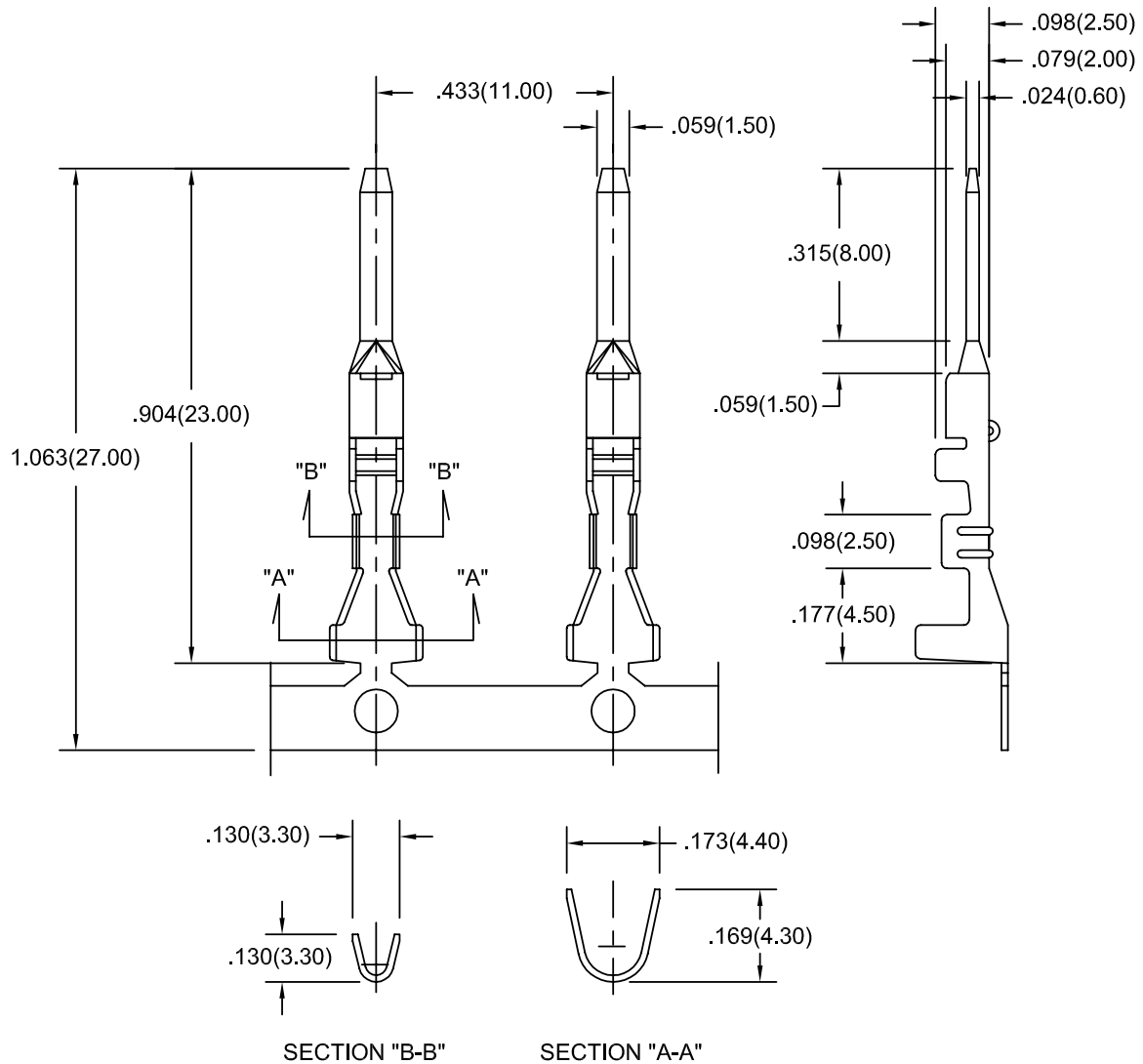


Dimensions : Millimetres

# Crimp Contacts

## Wire to Wire

For the Part Number: MP013610



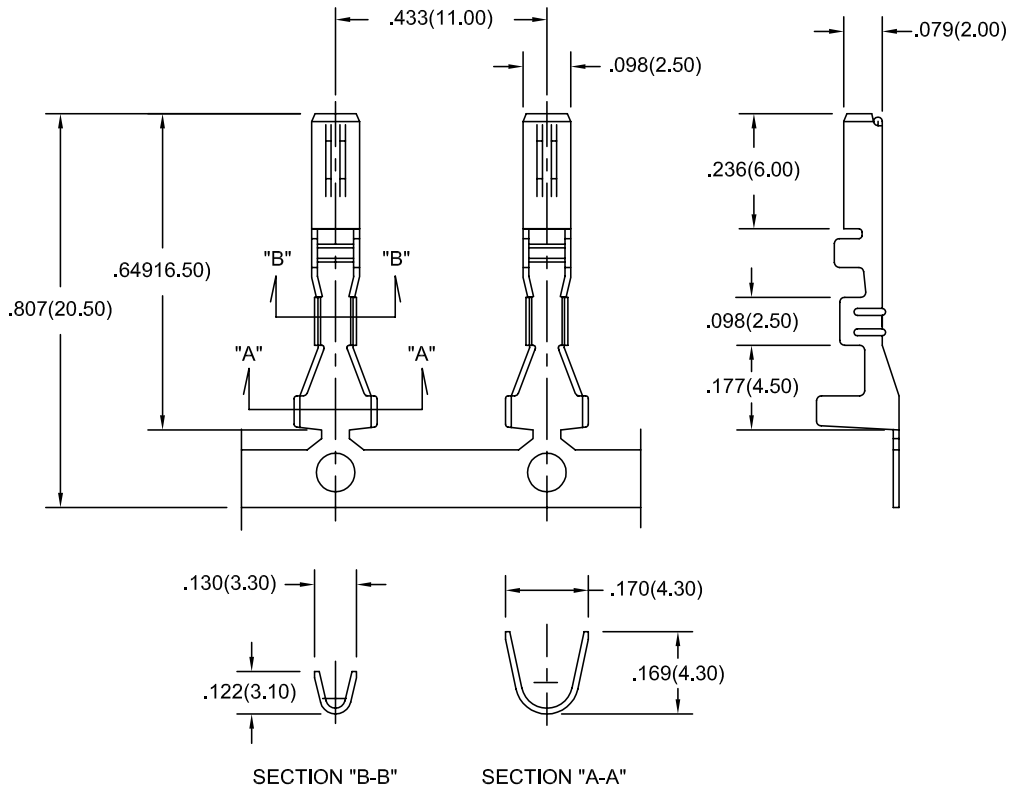
Dimensions : Millimetres

# Crimp Contacts

## Wire to Wire

**multicomp** PRO

For the Part Number: MP013611



### Part Number Table

Description	Part Number
Crimp Contact, Male, 22-20AWG	MP013606
Crimp Contact, Female, 22-20AWG	MP013607
Crimp Contact, Male, 20-16AWG	MP013608
Crimp Contact, Female, 20-16AWG	MP013609
Crimp Contact, Male, 14AWG	MP013610
Crimp Contact, Female, 14AWG	MP013611

Dimensions : Millimetres

**Important Notice :** This data sheet and its contents (the "Information") belong to the members of the AVNET group of companies (the "Group") or are licensed to it. No licence is granted for the use of it other than for information purposes in connection with the products to which it relates. No licence of any intellectual property rights is granted. The Information is subject to change without notice and replaces all data sheets previously supplied. The Information supplied is believed to be accurate but the Group assumes no responsibility for its accuracy or completeness, any error in or omission from it or for any use made of it. Users of this data sheet should check for themselves the Information and the suitability of the products for their purpose and not make any assumptions based on information included or omitted. Liability for loss or damage resulting from any reliance on the Information or use of it (including liability resulting from negligence or where the Group was aware of the possibility of such loss or damage arising) is excluded. This will not operate to limit or restrict the Group's liability for death or personal injury resulting from its negligence. Multicomp Pro is the registered trademark of Premier Farnell Limited 2019.

Newark.com/multicomp-pro  
 Farnell.com/multicomp-pro  
 sg.element14.com/b/multicomp-pro

**multicomp** PRO