



# har-flexicon 2.54 PCB male connector, vertical



## General information

Design	PCB male connector, vertical	
No. of contacts	2-12 pole	
Contact pitch	2,54 mm	
Test voltage	2,5 kV	
Rated voltage	160 V	overvoltage category III / pollution degree 2
Contact resistance	max. 20mOhm	
Insulation resistance	min. 10 <sup>10</sup> Ohm	
Working current	7.3 A at 70°C ( tested with AWG20, see derating diagram)	
Temperature range	-40°C ... +125°C	
Termination technology	SMT	
Reflow processing temperature	20s at 255°C	
Clearance & creepage distance	Clearance: 1,5 mm	Creepage: 1,6 mm
Insertion force	max. 5 N per contact	
Withdrawal force	min. 1 N per contact	
Mating cycles	10 cycles	
Hot plugging	No	
vibration	5-150Hz, 0,35mm, 5g, 2h each axis	

RoHS - compliant	Yes
UL file	E 102079

## Insulator material

Material	LCP (liquid crystalline polymer, glass fiber reinforcement 30%)
Color	black
UL classification	UL 94-V0
Material group acc. IEC 60664-1	IIIa (175 < CTI < 400)
NFF classification	-

## Contact material

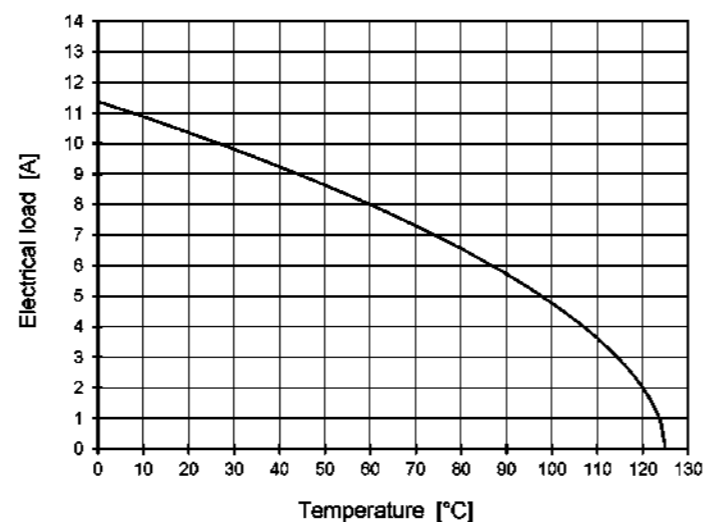
Contact material	Copper alloy
Plating termination zone	Sn over Ni
Plating contact zone	Sn over Ni

## Derating diagram acc. to IEC 60512-5-2 (Current carrying capacity)

The current carrying capacity is limited by maximum temperature of materials for inserts and contacts including terminals.

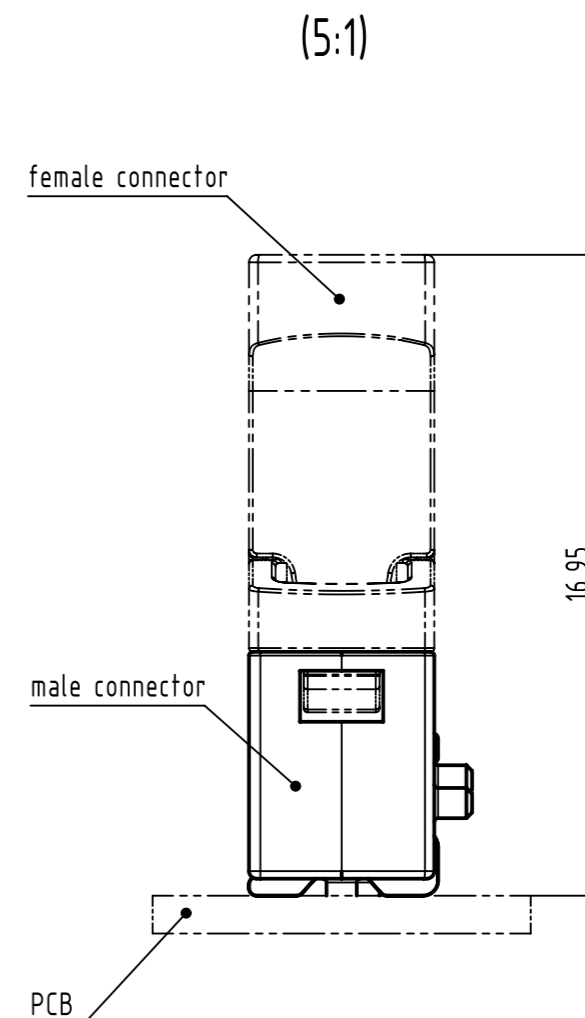
The current capacity curve is valid for continuous, non interrupted current loaded contacts of connectors when simultaneous power on all contacts is given, without exceeding the maximum temperature.

Control and test procedures according to DIN IEC 60512-5-2



tested with AWG20

## Application information



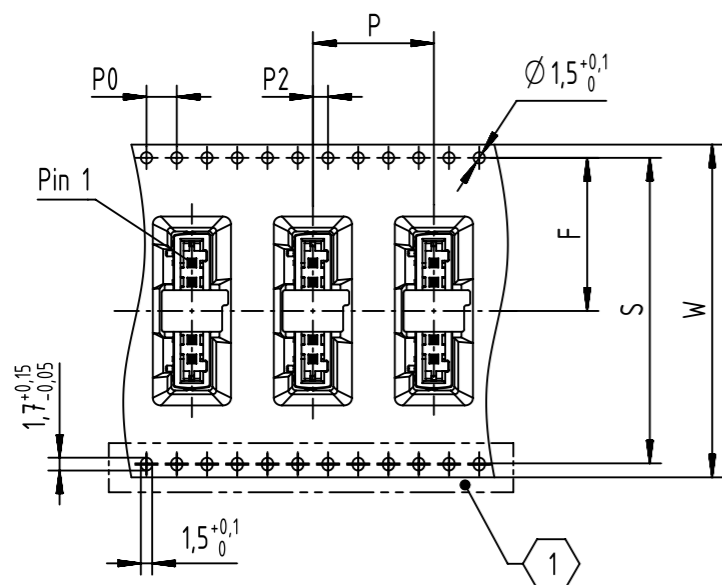
	All rights reserved	Created by HAGEMEYERE	Inspected by ELLERMANN	Standardisation HOFFMANN	Date 2017-01-12	State Final Release
	Department EC PD - DE	Title har-flexicon 2.54 male connector vertical				Doc-Key / ECM-Nr. 100550614/UGD/001/C 500000113685
HARTING Electronics GmbH D-32339 Espelkamp		Type DS	Number 14111400301		Rev. C	Page 1/2



# har-flexicon 2.54 PCB male connector, vertical



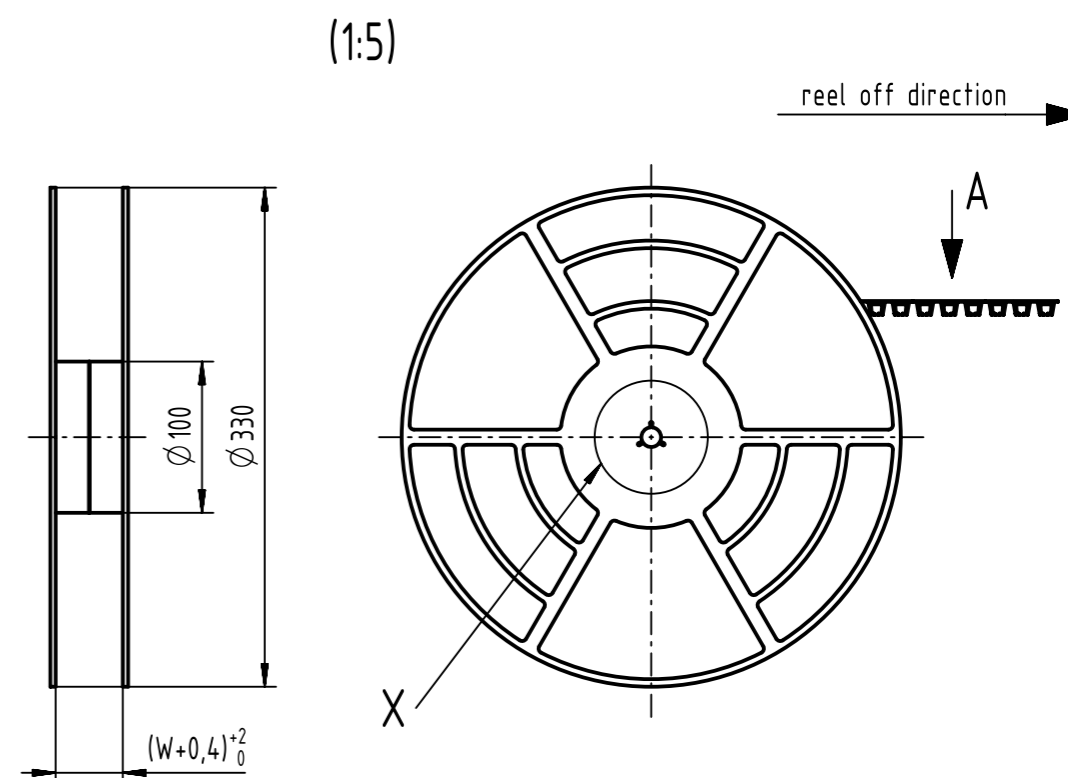
## Packaging & tape layout



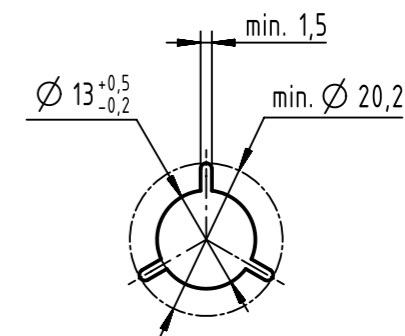
pole	W [mm]	F [mm]	S [mm]	P2 [mm]	P [mm]	P0 [mm]
2	24,0 <sup>+0,3</sup> <sub>-0,1</sub>	11,5 ± 0,1		2,0 ± 0,1	16,0 ± 0,1	4,0 ± 0,1
3						
4	32,0 ± 0,3	14,2 ± 0,1	28,4 ± 0,1	2,0 ± 0,1	16,0 ± 0,1	4,0 ± 0,1
5						
6						
7						
8	44,0 ± 0,3	20,2 ± 0,1	40,4 ± 0,1	2,0 ± 0,15	16,0 ± 0,1	4,0 ± 0,1
9						
10						
11	56,0 ± 0,3	26,2 ± 0,1	52,4 ± 0,1	2,0 ± 0,15	16,0 ± 0,1	4,0 ± 0,1
12						

1 no double sprocket holes for 2- and 3-pole numbers

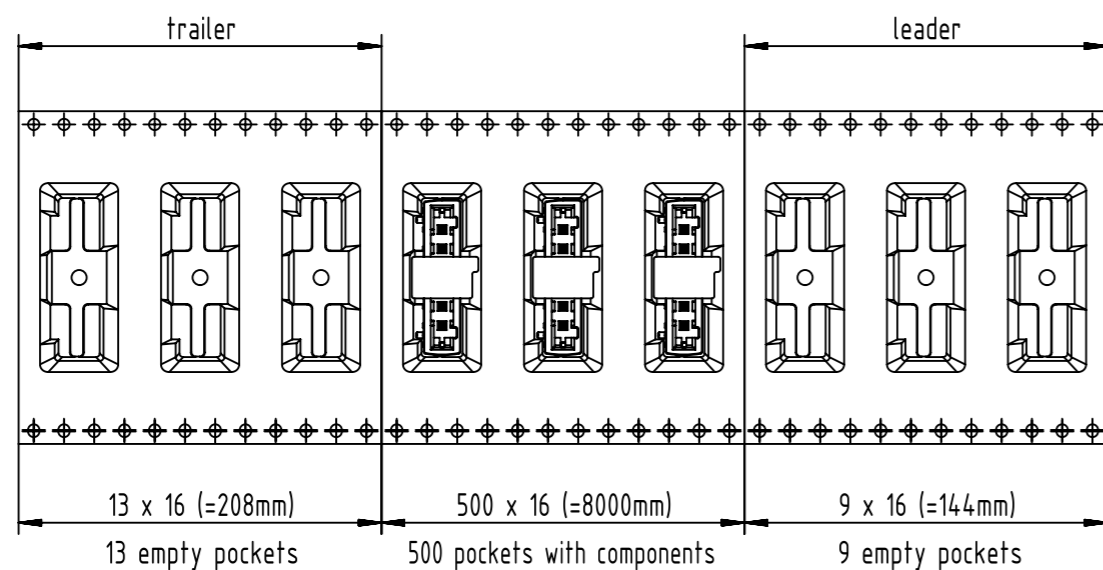
## Reel dimensions



X (1:1)



A



Packaging	Index
tape and reel with 500 pcs per reel	000
tape with 1 pcs	333

part-number	1411XX130YYXXX
-------------	----------------

01 with guiding pin  
11 w/o guiding pin

	All Dimensions in mm Original Size DIN A3	Scale 1:1	Free size tol.	Ref.
				Sub.
	All rights reserved Department EC PD - DE	Created by HAGEMEYERE	Inspected by ELLERMANN	Standardisation HOFFMANN
		Date 2017-01-12	State Final Release	
Title har-flexicon 2.54 male connector vertical				Doc-Key / ECM-Nr. 100550614/UGD/001/C 500000113685
HARTING Electronics GmbH D-32339 Espelkamp		Type DS	Number 14111400301	Rev. C Page 2/2