

**Note:** All part numbers  
are RoHS Compliant.

## Circular Plastic Connectors, Series 4

### CPC Connectors, Series 4, Standard Sex



Listed part numbers are for  
connectors only; **contacts must  
be ordered separately.**

#### Material

**Housing**—Thermoplastic, 94V-0 rated,  
black; 23-9M — Nylon 6/6, glass filled,  
black

#### Related Product Data

**Contacts**—Pages 17-21 and 34-35

**Contact Arrangements**—Below

**Accessories**—Pages 38-42

**Performance Characteristics**—  
Page 6

**Application Tooling**—Pages 76-79

**Technical Documents**—Page 80

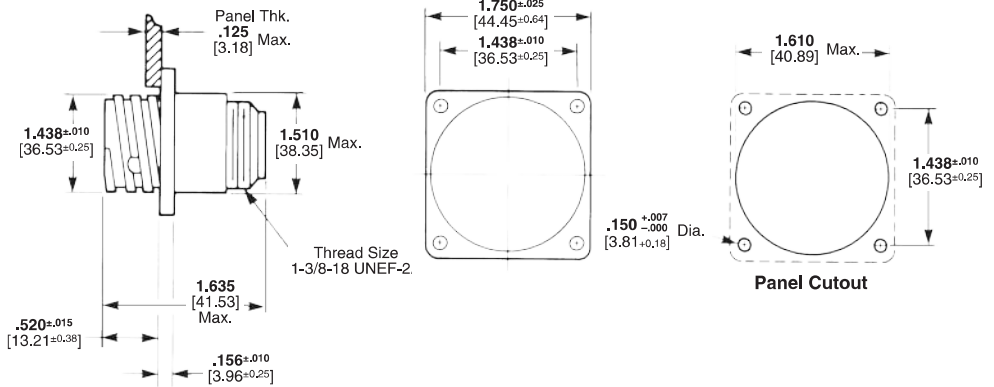
#### Replacement Coupling Ring

Shell Size	Part No.
23	213812-1

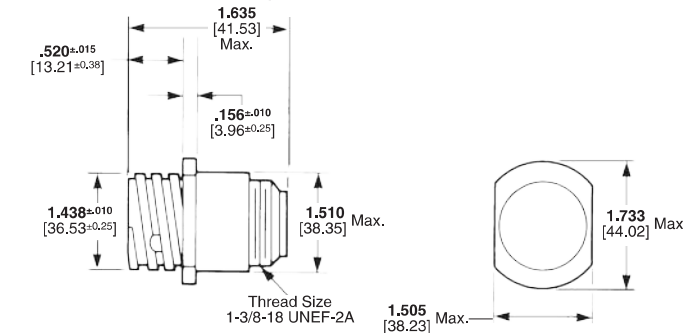
### Contact Arrangements, Series 4 Shell Size 23

**Note:** Contact arrangements  
shown are of pin mating face  
(plug or receptacle). Socket  
mating face is mirror image.

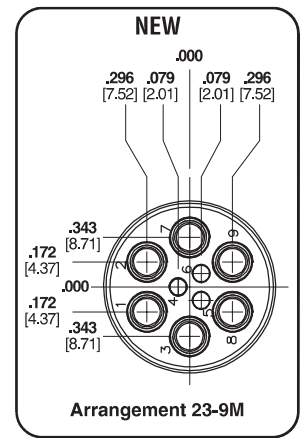
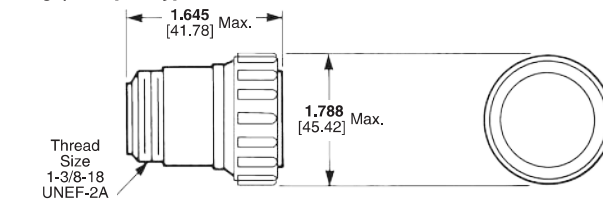
#### Square Flange Receptacle (Accepts Type XII Male and Multimate pin contacts)



#### Free-Hanging Receptacle (Accepts Type XII Male and Multimate pin contacts)



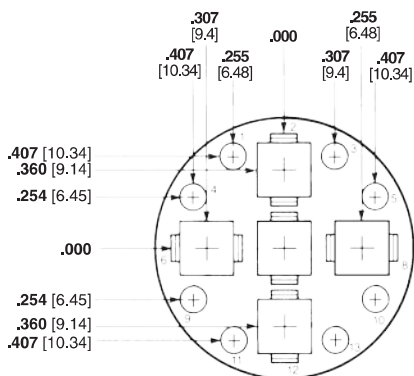
#### Plug (Accepts Type XII Female and Multimate socket contacts)



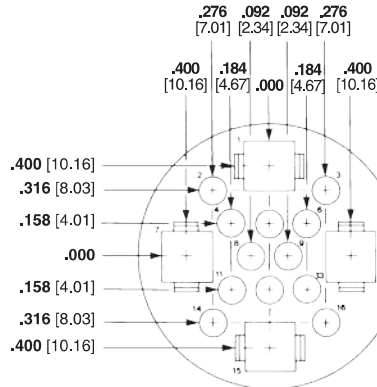
Arrangement	No. of Cavities		Square Flange Receptacle	Free-Hanging Receptacle	Plug
	Power	Multimate			
23-9M	6 (POWERBAND)	3	1776247-2 <sup>1</sup>	—	206136-4
23-13M	5 (Type XII)	8	211825-1	211825-2	211824-1
23-16M	4 (Type XII)	12	207486-1	207486-2	207485-1
23-22M	2 (Type XII)	20	206613-1	206613-3	206612-1

<sup>1</sup>Four 4-40 threaded inserts per receptacle.

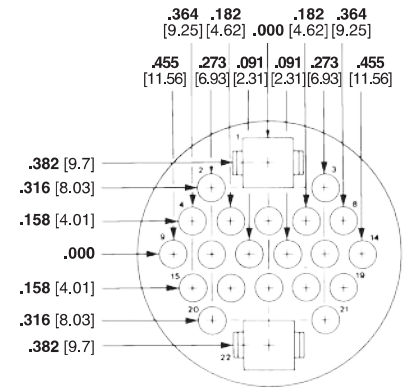
**Note:** Maximum wire insulation diameter is  $.150$  [3.81] for Multimate contacts;  $.220$  [5.59] for Power contacts.



**Arrangement 23-13M**  
 Max. Wire Ins. Dia. =  
 $.150$  [3.81] for Multimate Contacts,  
 $.220$  [5.59] for Power Contacts



**Arrangement 23-16M**  
 Max. Wire Ins. Dia. =  
 $.150$  [3.81] for Multimate Contacts,  
 $.220$  [5.59] for Power Contacts



**Arrangement 23-22M**  
 Max. Wire Ins. Dia. =  
 $.150$  [3.81] for Multimate Contacts,  
 $.220$  [5.59] for Power Contacts