

HAND HELD CASES

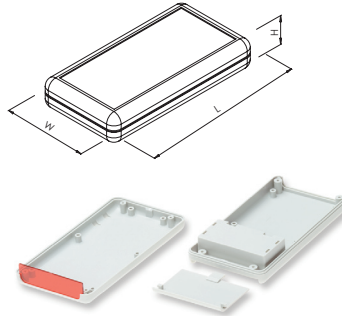
2950 Series IR Pocket Cases

Low-profile enclosures with battery compartment and interchangeable front panel for test and measurement equipments, remote controls and wireless technology

- Moulded in high impact ABS or UL-94 V0 ABS
- Low profile moulding
- Pocket sized cases
- Recesses top & base
- Snap-on battery compartment on lid
- PCB pillars in lid & base

SPECIFICATION		
Materials	2950 - 39	High impact ABS
	2950 - 39 UL	UL-94 V0 ABS
	2950 - 89	High impact ABS
Protection class	IP54	
Standard colours	Light grey similar to RAL 9002	
	Black similar to RAL 9004	
Standard unit includes	Lid & base	
	ABS front panel	
	4x M3 machine screws	
Options	Infrared panel	
	Battery contact kit	

BLACK	LIGHT GREY	LENGTH	WIDTH	HEIGHT	MATERIAL	STYLE
2950-39B	2950-39G	135mm	70mm	24mm	HB	Battery compartment
2950-39BUL	2950-39GUL	135mm	70mm	24mm	VO	Battery compartment
-	2950-89G	172mm	77mm	25mm	HB	-



Infrared Panel

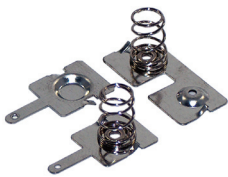
- Infrared panel moulded in acrylic (UL-94 HB)



TYPE NO.	DESCRIPTION
2950-39-TP	Infrared Panel

Battery Contact Kit

- AA size battery contact kit push-fit into pre-moulded pillars inside the case



TYPE NO.	DESCRIPTION
2950-310	Battery contact kit

UNIVERSAL ENCLOSURES

HAND HELD CASES

HEAVY DUTY ENCLOSURES

DIN RAIL BOXES

INTERFACE SUPPORTS

CONTROL STATIONS

DIECAST & METAL BOXES

DESKTOP & INSTRUMENT CASES

POTTING BOXES

19" ENCLOSURES

19" SUBRACKS

CUSTOM SIZED ENCLOSURES

CUSTOM SERVICES



+44 (0)1638 716101
info@camdenboss.com
www.camdenboss.com

We operate a constant improvement policy, our products are subject to change without notice.

Ver 1.0

CAMDENBOSS
ELECTRONICS & ENCLOSURES