

Semi-rotary drives DRVS



Festo core product range
Covers 80% of your automation tasks

Worldwide:

Always in stock

Superb:

Festo quality at an attractive price

Easy:

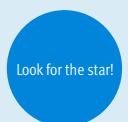
Reduces procurement and storing complexity



Generally ready for shipping ex works in 24 hours
Held in stock in 13 service centres worldwide
More than 2200 product



Generally ready for shipping ex works in 5 days
Assembled for you in 4 service centres worldwide
Up to 6 x 10¹² variants per product series



Semi-rotary drives DRVS

Key features

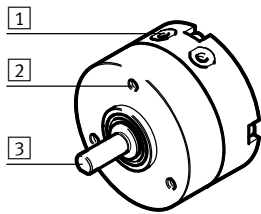
Key features at a glance

- Double-acting semi-rotary drive with rotary vanes
- Lighter than other semi-rotary drives
- Modern and compact design
- Fixed swivel angle
- Swivel angle can be adjusted with the help of accessories
- Housing protected against splash water and dust
- No metal fixed stop

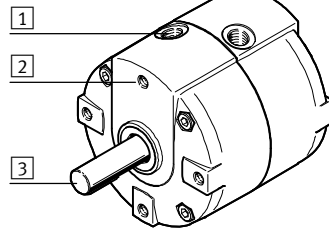
The technology in detail

Semi-rotary drive DRVS

Size 6, 8



Size 12 ... 40



- 1 Pneumatic connection
- 2 Mounting thread
- 3 Output shaft:
Size 6 ... 16: with flat
Size 25 ... 40: with feather key

Position sensor SRBS

The position sensor is used for sensing the end positions.

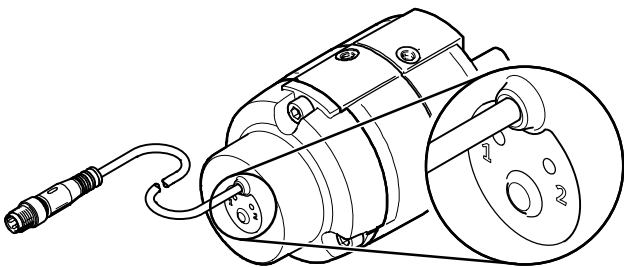
Sensing is performed magnetically and without contact. Two switching points are output.

Key features:

- Quick installation
- Simple and reliable operation using one button
- The end positions of the swivel angle are taught in at the touch of a button
- Only one connecting cable required
- Long service life thanks to sturdy and non-contacting position sensing

Technical data:

- Sensing range: 0 ... 270°
- Repetition accuracy: $\leq 1^\circ$
- 2 switching outputs (24 V)
- Switching output: PNP or NPN programmable
- Switching element function: N/O contact or N/C contact programmable



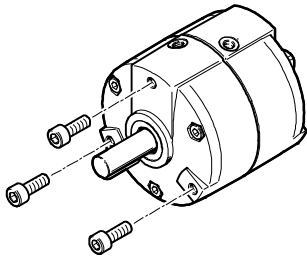
Semi-rotary drives DRVS

Type codes

Mounting options

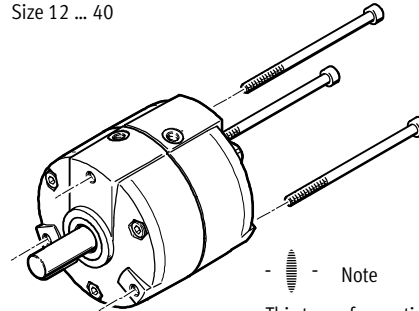
Via internal thread

Size 6 ... 40



With through-hole

Size 12 ... 40

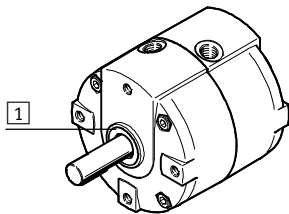


 Note

This type of mounting is not permissible in combination with accessories.

Centring via centring collar

Size 6 ... 40



1 Centring collar

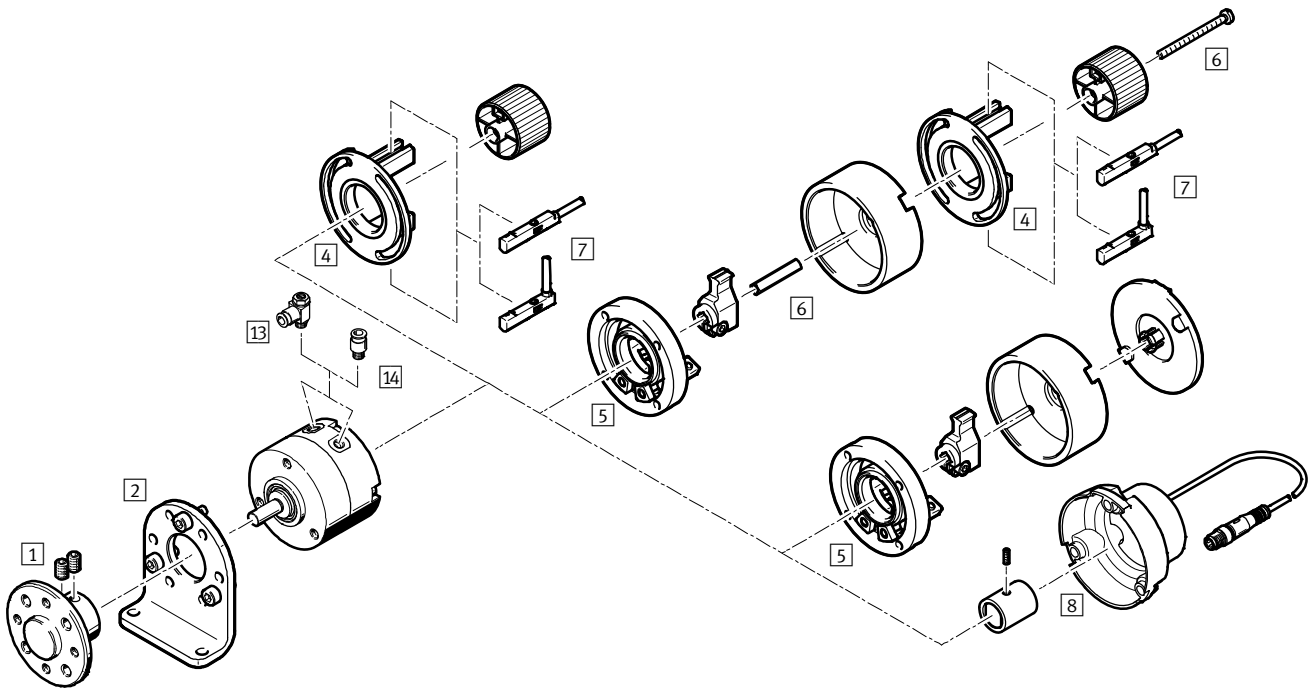
Type codes

	DRVS	-	12	-	180	-	P	-	
Type									
Double-acting									
DRVS	Semi-rotary drive								
Size [mm]									
Swivel angle [°]									
Cushioning									
P	Elastic cushioning at both ends								
EU certification									
EX4	II 2GD								

Semi-rotary drives DRVS

Peripherals overview

Size 6 and 8

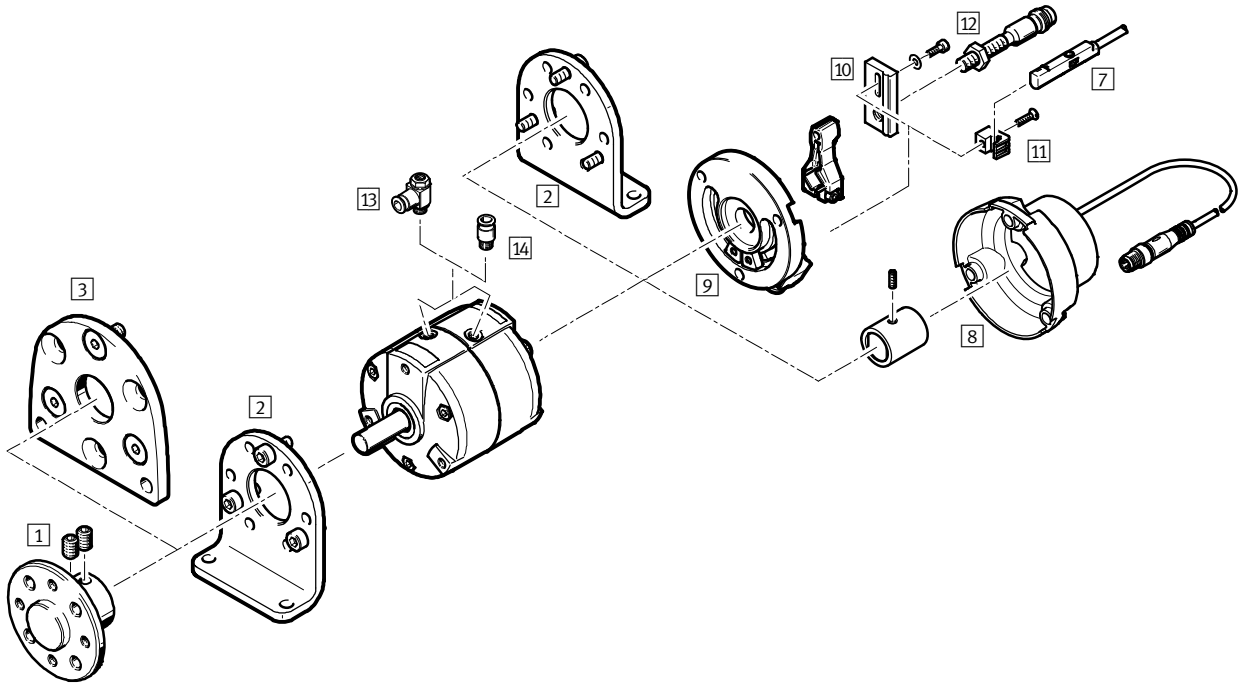


Accessories	Description	→ Page/ Internet
1 Push-on flange FWSR/DARF	For mounting attachments	17
2 Foot mounting DAMH	<ul style="list-style-type: none"> • For mounting the semi-rotary drive • Front mounting only 	14
4 Mounting kit WSM-...-SME-10	<ul style="list-style-type: none"> • For sensing the swivel angle • For mounting the proximity sensor SME-/SMT-10 • Must be ordered separately as an accessory • Can be combined with stop kit KSM • The adapter kit DADP-AK must also be ordered in combination with stop kit KSM → Page 18 	18
5 Stop kit KSM	<ul style="list-style-type: none"> • For adjusting the swivel angle • Must be ordered separately as an accessory • Can be combined with mounting kit WSM • The adapter kit DADP-AK must also be ordered in combination with mounting kit WSM → Page 18 	18
6 Adapter kit DADP-AK	For attaching mounting kit WSM to stop kit KSM	18
7 Proximity sensor SME/SMT-10	For sensing the end position	22
8 Position sensor SRBS	<ul style="list-style-type: none"> • For sensing the swivel angle • Can only be mounted directly on the swivel module, without other accessories • Must be ordered separately as an accessory • The scope of delivery of the position sensor includes a magnet, which must be mounted on the shaft of the semi-rotary drive 	19
13 One-way flow control valve GRLA	For speed regulation	23
14 Push-in fitting QS	For connecting compressed air tubing with standard O.D.	qs

Semi-rotary drives DRVS

Peripherals overview

Size 12 ... 40

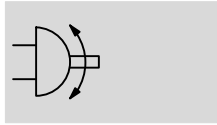



Accessories	Description	→ Page/ Internet
1 Push-on flange DARF	For mounting attachments	17
2 Foot mounting DAMH	<ul style="list-style-type: none"> For mounting the semi-rotary drive Mounting at one or both ends 	14
3 Flange mounting DAMF	For mounting the semi-rotary drive on the front side using two mounting holes	16
7 Proximity sensor SME/SMT-10	For sensing the end position	22
8 Position sensor SRBS	<ul style="list-style-type: none"> For sensing the swivel angle Can only be mounted directly on the swivel module, without other accessories Must be ordered separately as an accessory The scope of delivery of the position sensor includes a magnet, which must be mounted on the shaft of the semi-rotary drive 	19
9 Stop kit DADP-ES	<ul style="list-style-type: none"> For adjusting the swivel angle Must be ordered separately as an accessory 	20
10 Sensor bracket SL-DSM-S	For mounting the round inductive proximity sensor SIEN	22
11 Sensor bracket SL-DSM-B	For mounting the proximity sensor SME/SMT-10	22
12 Proximity sensor SIEN	For sensing the end position	23
13 One-way flow control valve GRLA	For speed regulation	23
14 Push-in fitting QS	For connecting compressed air tubing with standard O.D.	qs

Semi-rotary drives DRVS

Technical data

Function



 Size
6 ... 40

General technical data							
Size	6	8	12	16	25	32	40
Pneumatic connection	M3		M5			G1/8	
Design	Rotary vane						
Cushioning	Elastic cushioning at both ends						
Type of mounting	Via female thread						
Mounting position	Any						
Swivel angle [°]	90, 180		90, 180, 270				
Swivel angle with stop kit KSM, DADP	→ Page 20						
Cushioning angle [°]	0.5						
Repetition accuracy [°]	1						
Swivel frequency at 6 bar							
Swivel angle 90°, 180° [Hz]	3						
Swivel angle 270° [Hz]	–		2				

Operating and environmental conditions							
Size	6	8	12	16	25	32	40
Operating medium	Compressed air to ISO 8573-1:2010 [7:4:4]						
Note on operating/pilot medium	Lubricated operation possible (in which case lubricated operation will always be required)						
Operating pressure [bar]	3.5 ... 8		2.5 ... 8			2 ... 8	
Ambient temperature ¹⁾ [°C]	0 ... +60						
Storage temperature [°C]	20						
Corrosion resistance class CRC ²⁾	1						

1) Note operating range of proximity sensors.

2) Corrosion resistance class CRC 1 to Festo standard FN 940070

Low corrosion stress. For dry indoor applications or transport and storage protection. Also applies to parts behind covers, in the non-visible interior area, and parts which are covered in the application (e.g. drive trunnions).

ATEX ¹⁾	
ATEX category for gas	II 2G
Type of ignition protection for gas	c T4 X
ATEX category for dust	II 2D
Type of ignition protection for dust	c T120°C X
Explosion-proof temperature [°C]	0 °C ≤ Ta ≤ +60 °C
CE marking (see declaration of conformity)	As per EU Explosion Protection Directive (ATEX)

1) Note the ATEX certification of the accessories.

Semi-rotary drives DRVS

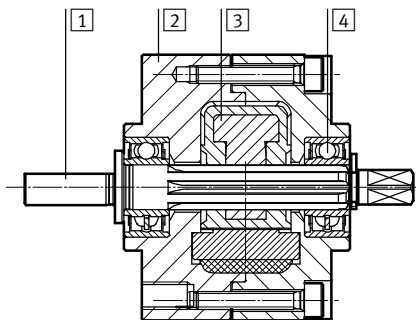
Technical data

Weight [g]							
Size	6	8	12	16	25	32	40
Swivel angle of 90°	38	68	154	272	502	928	1530
Swivel angle of 180°	38	68	152	270	494	912	1500
Swivel angle of 270°	–	–	150	268	486	896	1470

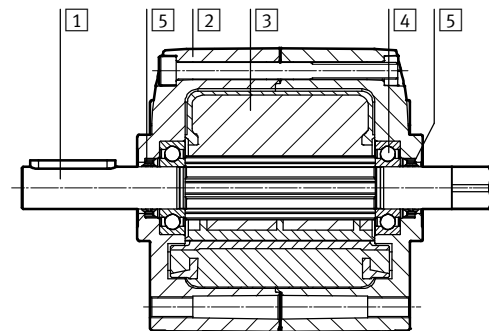
Materials

Sectional view

DRVS-6/8



DRVS-12 ... 40

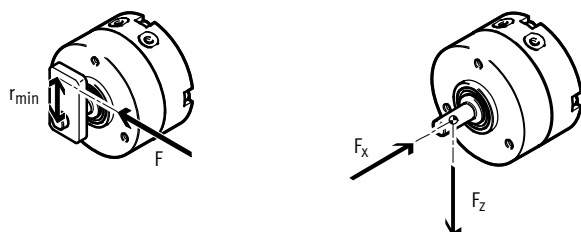



Size	6	8	12	16	25	32	40
1 Drive shaft	High-alloy stainless steel			Nickel-plated steel			
2 Housing	Anodised wrought aluminium alloy			Painted die-cast aluminium			
3 Rotary vane	Reinforced PET						
4 Ball bearing	Rolled steel						
5 Shaft seal	–		PU			NBR	
– Screws	Galvanised steel						
– Seals	TPE-U(PU)						
Note on materials	RoHS-compliant						

Forces and torques

Size	6	8	12	16	25	32	40
Theoretical torque							
At 6 bar [Nm]	0.15	0.35	1	2	5	10	20
Per bar [Nm]	0.025	0.058	0.166	0.33	0.83	1.66	3.33
Perm. stop radius r [mm]	10	10	15	17	21	28	40
Perm. stop force F [N]	15	30	90	160	320	480	650
Max. perm. dyn. axial force $F_x^{1)}$ [N]	10	10	20	25	40	75	120
Max. perm. dyn. radial force $F_z^{1)}$ [N]	15	20	25	30	60	200	350
Max. perm. mass moment of inertia [$\text{kgm}^2 \times 10^{-4}$]	6.5	13	50	100	120	200	350

1) The axis of rotation and the centre of the drive shaft are the point of reference for the forces.



 Note

If the swivel modules DRVS are used without a stop system or the mass moment of inertia is exceeded, external stops must be used.

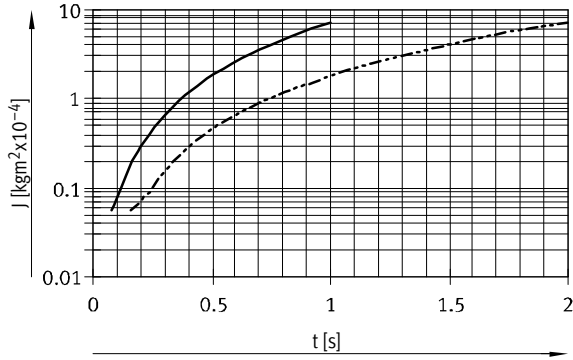
A minimum radius relative to the drive shaft (r_{\min}) must be observed. The stop force must not exceed the maximum force.

Semi-rotary drives DRVS

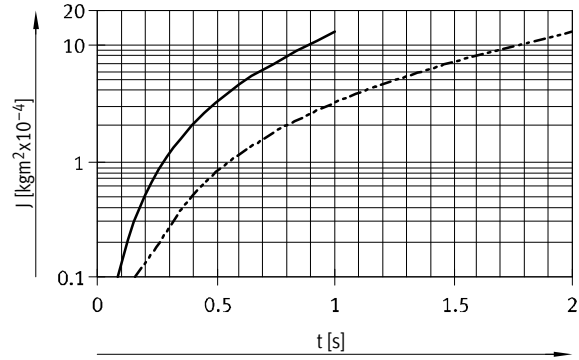
Technical data

Mass moment of inertia J as a function of swivel time t

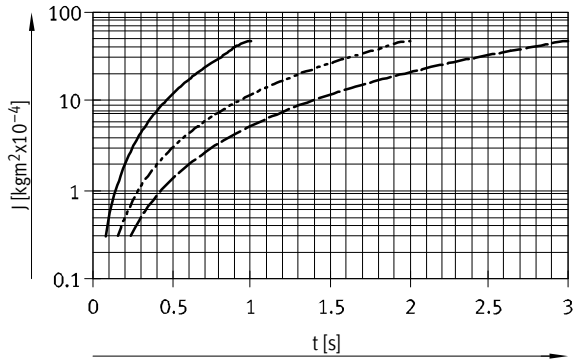
Size 6



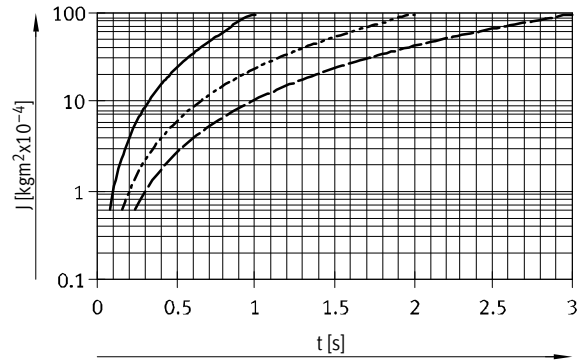
Size 8



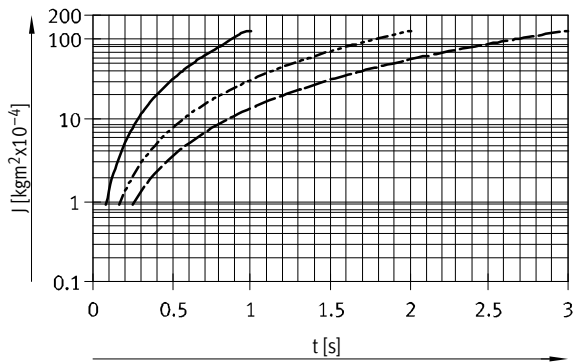
Size 12



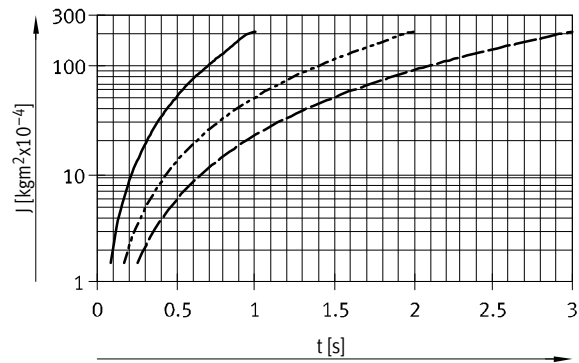
Size 16



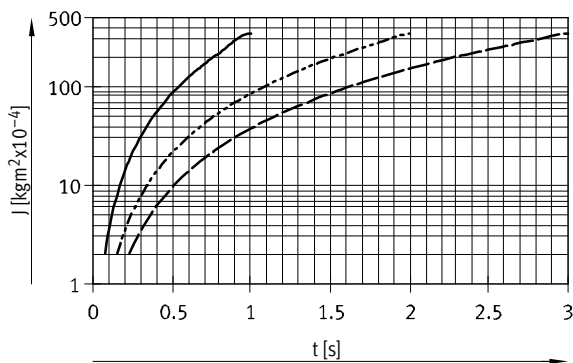
Size 25



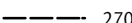


Size 32



Size 40



 90°
 180°
 270°

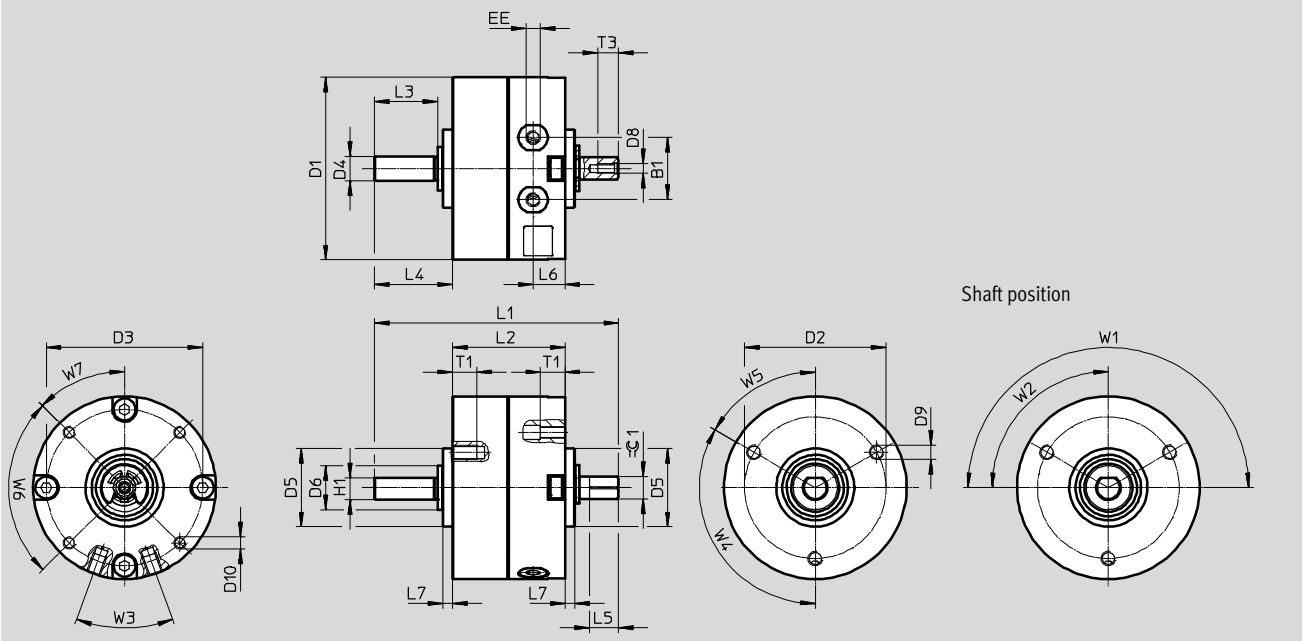
Semi-rotary drives DRVS

Technical data

Dimensions

Download CAD data → www.festo.com

Size 6/8



Size	B1	D1 ∅ ±0.2	D2 ∅ ±0.1	D3 ∅ ±0.1	D4 ∅ g7	D5 ∅ F8	D6 ∅	D8	D9
6	10	29.4	24	25	4	14	8	M2	M3
8	12.8	37.4	29	32	5	16	9	M2	M3

Size	D10	EE	H1 -0.2	L1	L2	L3	L4	L5 -0.2	L6	L7
6	M2	M3	3.5	43	21	10	13	5	6	2
8	M2.5	M3	4.5	50	23	13	16	6	6.5	2

Size	T1 +0.5	T3 +0.5	W1 +5°	W2 +5°	W3	W4	W5	W6	W7	≈ 1
6	5	3.5	180°	90°	40°	120°	60°	90°	45°	3
8	5	4.3								3.5

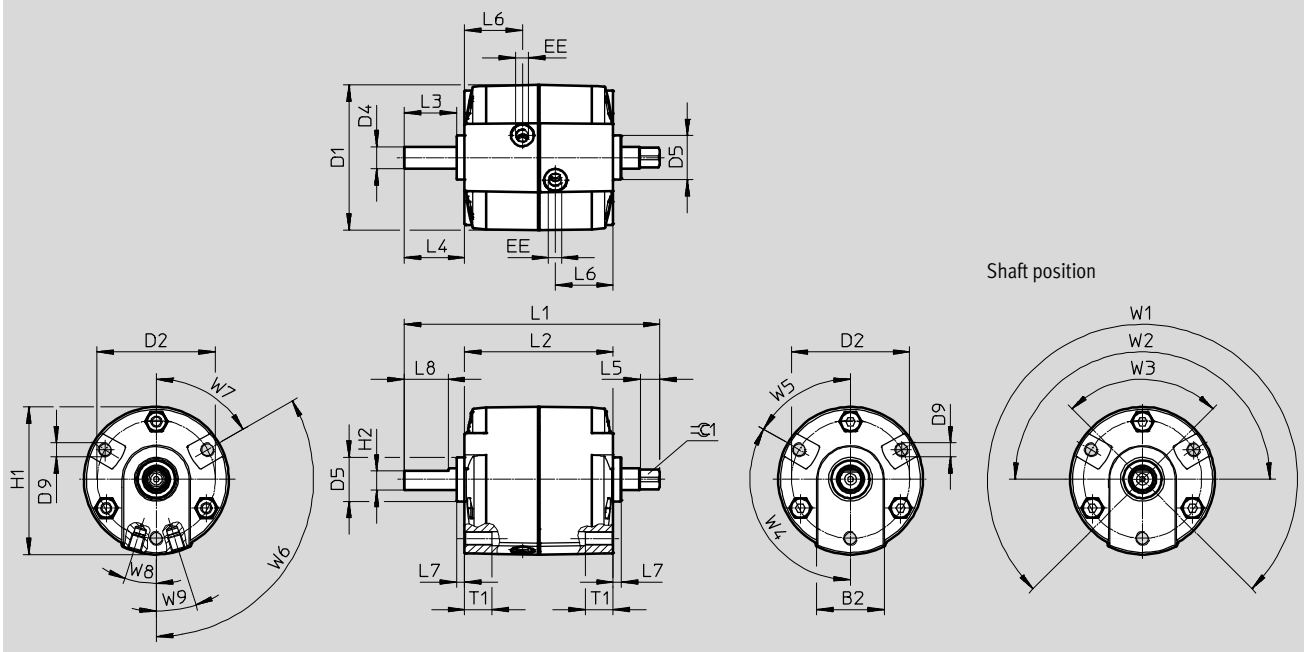
Semi-rotary drives DRVS

Technical data

Dimensions

Download CAD data → www.festo.com

Size 12/16



Size	B2	D1 ∅	D2 ∅ ±0.2	D4 ∅ g7	D5 ∅ -0.1	D9	EE	H1
12	24	45.5	36	6	14	M4	M5	46.3
16	24.5	52.7	43	8	16	M5	M5	53.7

Size	H2 ±0.1	L1	L2 +0.6/-0.2	L3	L4	L5	L6	L7 +0.1/-0.1	L8 +0.4	T1
12	5	73+0.2/-0.1	40.5	17	20+0.4/-0.6	9±0.1	14.8	3	14	8
16	7	93+0.2/-0.2	54	19	22+0.4/-0.7	7.2+0.1	21	3	16	10

Size	W1 +7°	W2 +7°	W3 +7°	W4	W5	W6	W7	W8 19.5°	W9 19.5°	⊙ 1 4.5 _{h11}
12	270°	180°	90°	120°	60°	120°	60°	17.5°	17.5°	6-0.1
16										

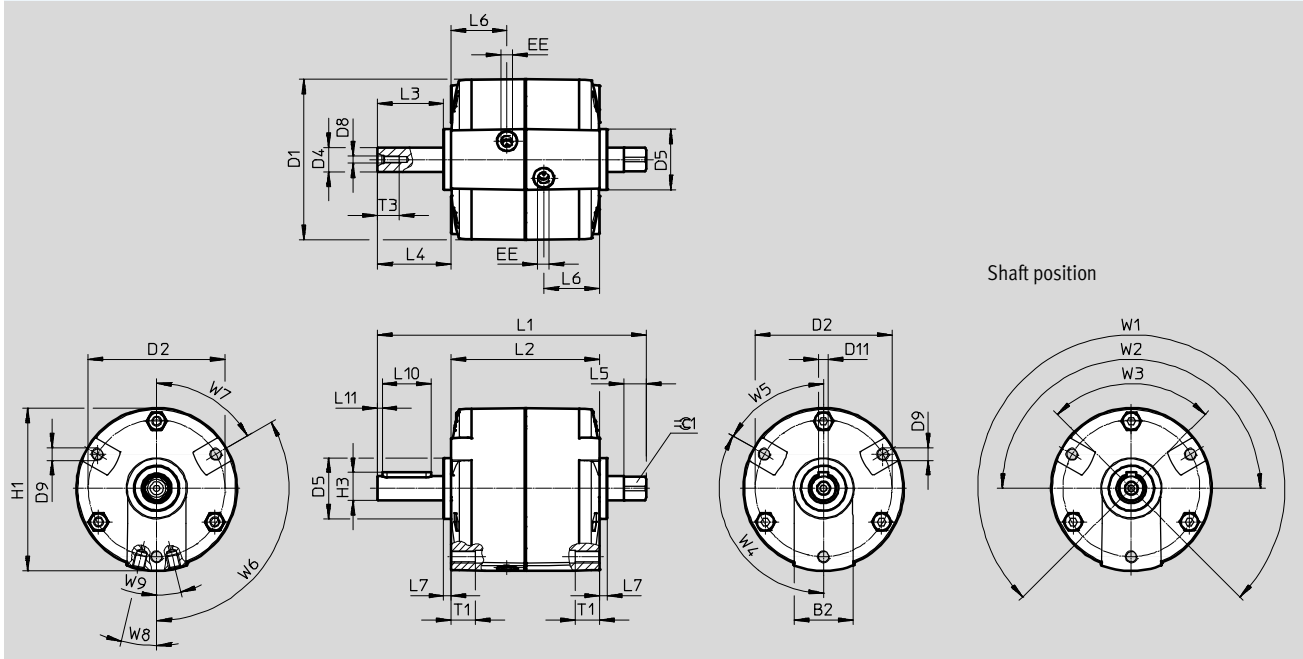
Semi-rotary drives DRVS

Technical data

Dimensions

Download CAD data → www.festo.com

Size 25



Size	B2	D1	D2	D4	D5	D8	D9	D11
		∅	∅	∅	∅			N9
			±0.2	g7	-0.1			
25	24	65.7	56	10	25	M3	M5	4

Size	EE	H1	H3	L1	L2	L3	L4	L5
			-0.2	+0.2/-0.3	+0.3/-0.2		+0.3/-0.4	
25	M5	66.7	11.5	110.2	61	27.1	30.1	9.2

Size	L6	L7	L10	L11	T1	T3	W1	W2
		+0.1/-0.1	+0.1			+3	+7°	+7°
25	23	3	20	2	10	9	270°	180°

Size	W3	W4	W5	W6	W7	W8	W9	⊖ 1	Feather key ¹⁾
	+7°							-0.1	
25	90°	120°	60°	120°	60°	13°	13°	8	A4x4x20

1) Included in the scope of delivery.

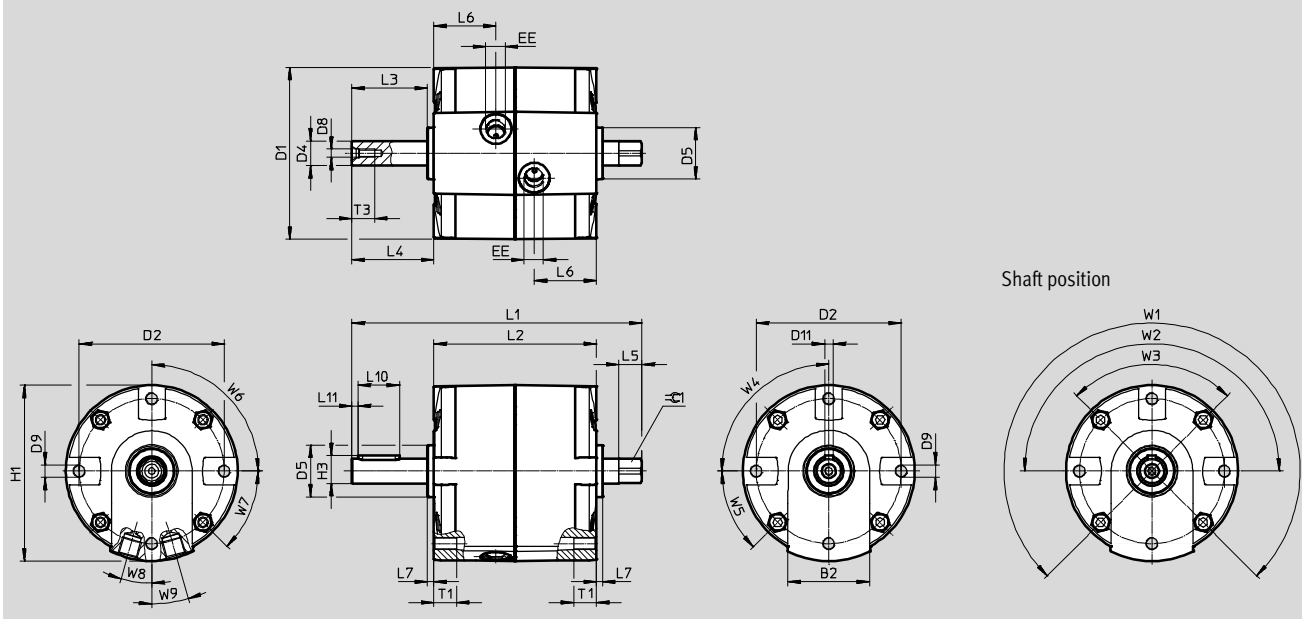
Semi-rotary drives DRVS

Technical data

Dimensions

Download CAD data → www.festo.com

Size 32/40



Size	B2	D1 ∅	D2 ∅ ±0.2	D4 ∅ g7	D5 ∅ -0.1	D8	D9	D11 N9
32	39	83	70	12	25	M4	M6	4
40	42	100.1	87	17	30	M5	M8	5

Size	EE	H1	H3 -0.2	L1 +0.2/-0.3	L2	L3	L4 +0.3/-0.6	L5
32	G1/8	85	13.5	140	78.5+0.5/-0.1	36.5	39.5	11.2
40	G1/8	102.6	19	170	93+0.4	50.5	53.5	16+0.3

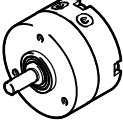
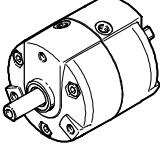
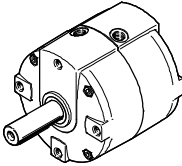
Size	L6	L7	L10	L11	T1	T3 +3	W1 +7°	W2 +7°
32	30	3+0.1/-0.2	20+0.1	3	11	11	270°	180°
40	37	3+0.2	36.1+0.3	5	13+3	13		

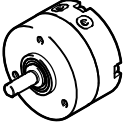
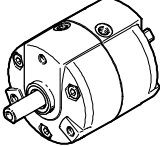
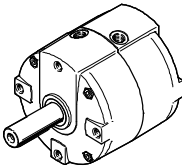
Size	W3 +7°	W4	W5	W6	W7	W8	W9	∠ 1 H11	Feather key to DIN 6885 ¹⁾
32	90°	90°	45°	90°	45°	16°	16°	10	A4x4x20
40						14.5°	14.5°	13	A5x5x36

1) Included in the scope of delivery.

Semi-rotary drives DRVS

Technical data

Ordering data				
	Size	Swivel angle	Without ATEX certification	
			Part No.	Type
	6	90°	★ 1845706	DRVS-6-90-P
		180°	★ 1845707	DRVS-6-180-P
	8	90°	★ 1845708	DRVS-8-90-P
		180°	★ 1845709	DRVS-8-180-P
	12	90°	★ 1845710	DRVS-12-90-P
		180°	★ 1845711	DRVS-12-180-P
		270°	★ 1845712	DRVS-12-270-P
	16	90°	★ 1845713	DRVS-16-90-P
		180°	★ 1845714	DRVS-16-180-P
		270°	★ 1845715	DRVS-16-270-P
	25	90°	★ 1845716	DRVS-25-90-P
		180°	★ 1845717	DRVS-25-180-P
		270°	★ 1845718	DRVS-25-270-P
	32	90°	★ 1845719	DRVS-32-90-P
		180°	★ 1845720	DRVS-32-180-P
		270°	★ 1845721	DRVS-32-270-P
	40	90°	★ 1845722	DRVS-40-90-P
		180°	★ 1845723	DRVS-40-180-P
		270°	★ 1845724	DRVS-40-270-P

Ordering data				
	Size	Swivel angle	With ATEX certification	
			Part No.	Type
	6	90°	2536483	DRVS-6-90-P-EX4
		180°	2536484	DRVS-6-180-P-EX4
	8	90°	2536485	DRVS-8-90-P-EX4
		180°	2536486	DRVS-8-180-P-EX4
	12	90°	2536487	DRVS-12-90-P-EX4
		180°	2536488	DRVS-12-180-P-EX4
		270°	2536489	DRVS-12-270-P-EX4
	16	90°	2536490	DRVS-16-90-P-EX4
		180°	2536491	DRVS-16-180-P-EX4
		270°	2536492	DRVS-16-270-P-EX4
	25	90°	2536493	DRVS-25-90-P-EX4
		180°	2536494	DRVS-25-180-P-EX4
		270°	2536495	DRVS-25-270-P-EX4
	32	90°	2536496	DRVS-32-90-P-EX4
		180°	2536497	DRVS-32-180-P-EX4
		270°	2536498	DRVS-32-270-P-EX4
	40	90°	2536499	DRVS-40-90-P-EX4
		180°	2536500	DRVS-40-180-P-EX4
		270°	2536501	DRVS-40-270-P-EX4

Festo core product range

- ★ Generally ready for shipping ex works in 24 hours
- ☆ Generally ready for shipping ex works in 5 days

Semi-rotary drives DRVS

Accessories

Foot mounting DAMH

Material:

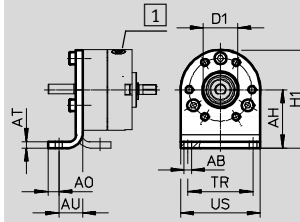
Galvanised steel

RoHS-compliant

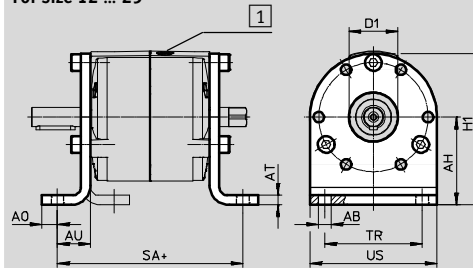
Foot mountings can only be mounted on the front with size 6 and 8.



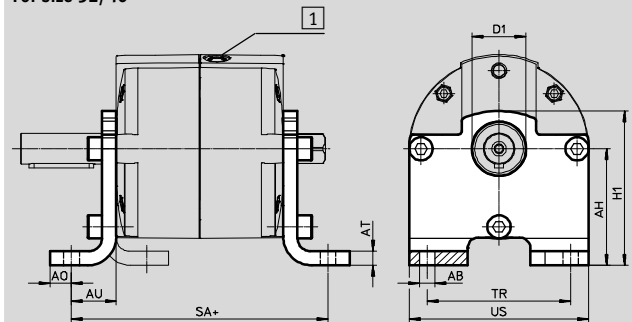
For size 6/8



For size 12 ... 25



For size 32/40

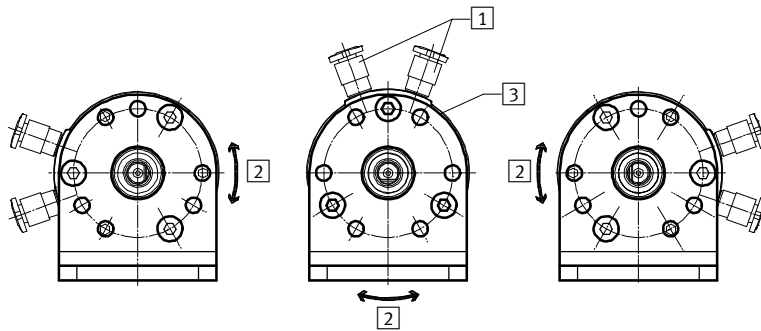


1 Supply ports

Mounting variants in combination with supply ports

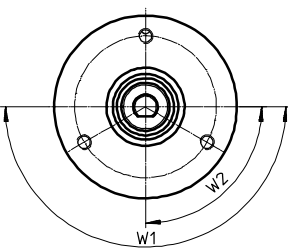
Three mounting variants are possible in combination with the foot mounting DAMH and supply ports 1.

The mid-position of the swivel angle is then in position 2.

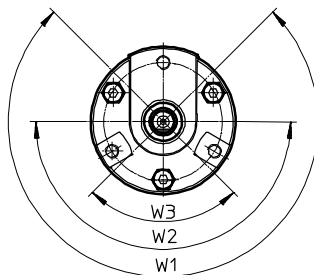


Shaft position in standard position 3 (position swivel angle)

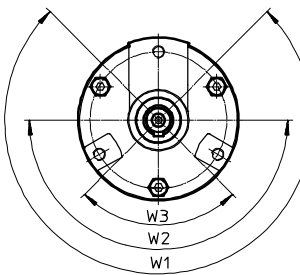
Size 6/8



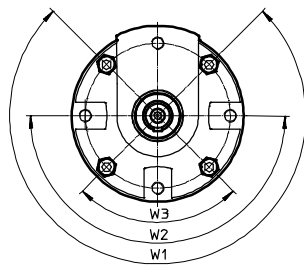
Size 12/16



Size 25



Size 32/40



Semi-rotary drives DRVS

Accessories

Dimensions and ordering data							
For size	AB ∅ H13	AH	AO	AT	AU	D1 ∅	H1
6	3.5	22 ^{+0.2}	4	3	11	14 ^{+0.05}	36.8 ^{+0.5/-0.3}
8	3.5	27 ^{+0.2}	5	3	11	16 ^{+0.05}	45.3 ^{±0.4}
12	5.5	30 ^{+0.2}	6	4	14	14 ^{H10}	52 ^{+0.5/-0.3}
16	5.5	35 ^{±0.25}	7	4	15	16 ^{H10}	61 ^{+0.5/-0.3}
25	6.5	45 ^{±0.25}	8	5	17	25 ^{H10}	77.5 ^{+0.5/-0.3}
32	8.8	55 ^{±0.3}	11	6	21	25 ^{H10}	73 ^{±0.5}
40	8.8	65 ^{±0.3}	12	8	25	30 ^{H10}	86 ^{±0.5}

For size	SA	TR	US	Weight ¹⁾ [g]	Part No.	Type ²⁾
6	–	20	29.6 ^{+0.3/-0.2}	27	3371840	DAMH-Q12-6
8	–	30	36.6 ^{±0.3}	40	3371841	DAMH-Q12-8
12	68.5	30	44 ^{-0.5}	79	3371842	DAMH-Q12-12
16	84	40	52 ^{-0.5}	111	3371843	DAMH-Q12-16
25	95	50	65 ^{-0.5}	203	3371844	DAMH-Q12-25
32	122.5	60	81.5 ^{-0.5}	287	3371845	DAMH-Q12-32
40	143	80	100 ^{±0.3}	529	3371846	DAMH-Q12-40

1) For one foot mounting

2) Suitable for ATEX areas

Semi-rotary drives DRVS

Accessories

Flange mounting DAMF

Materials:

Galvanised steel

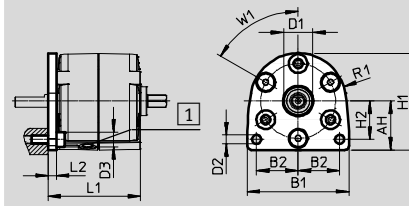
RoHS-compliant

Mounting variants in combination with supply ports:

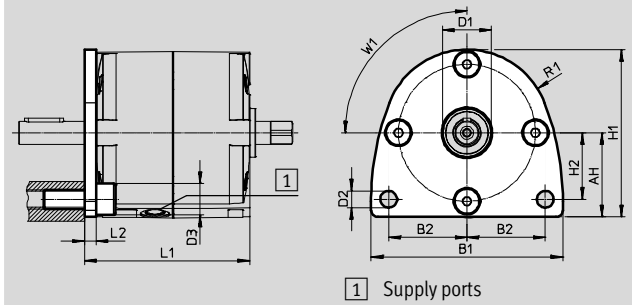
- For sizes 12 ... 25, possible every 60°
- For sizes 32/40, possible every 90°



For size 12 ... 25



For size 32/40



Dimensions and ordering data								
For size	AH	B1	B2	D1 ∅ H10	D2 ∅ H13	D3 ∅ Max.	H1	H2
12	23.5±0.2	49±0.4	20	14	4.4	8.5	46.5+0.4/-0.3	18.5
16	28±0.2	59±0.4	23	16	5.4	8.5	56±0.4	20.5
25	34.5±0.2	74±0.4	30	25	6.5	10	69±0.4	23
32	43±0.2	98±0.5	40	25	8.5	16	85.5+0.5/-0.4	34
40	53+0.3/-0.2	120±0.5	50	30	8.5	18	106+0.5/-0.3	40

For size	L1	L2	R1	W1	Weight [g]	Part No.	Type ¹⁾
12	44.5	4	23	60°	54	4965018	DAMF-Q12-12
16	58	4	28	60°	80	4965019	DAMF-Q12-16
25	66	5	34.5	60°	147	4965020	DAMF-Q12-25
32	84.5	6	42.5	90°	305	4965021	DAMF-Q12-32
40	99	6	53	90°	472	4965022	DAMF-Q12-40

1) Suitable for ATEX areas

Semi-rotary drives DRVS

Accessories

Push-on flange FWSR/DARF

Materials:

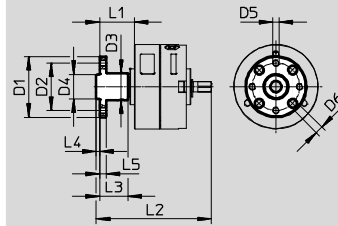
Flange: Anodised wrought aluminium alloy

Screws: Galvanised steel

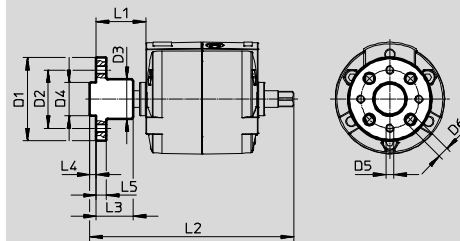
RoHS-compliant



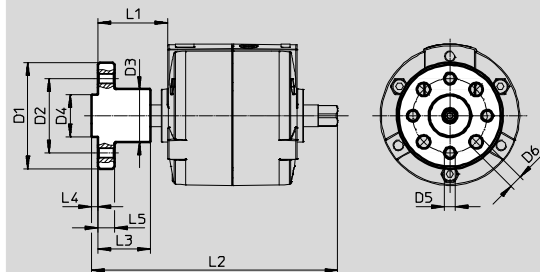
For size 6/8



For size 12/16



For size 25 ... 40



Dimensions and ordering data							
For size	D1 Ø	D2 Ø	D3 Ø +0.4	D4 Ø	D5	D6 Ø H13	L1
6	23	16	10	8 _{g7}	M3	3.4	13.5±0.7
8	27	21	12	11 _{g7}	M3	3.4	15.5±0.7
12	35 _{-0.5}	25	16	14 _{f8}	M3	3.4	21+0.5/-0.7
16	40 _{-0.5}	28	19	16 _{f8}	M4	4.5	23+0.5/-0.8
25	50 _{-0.5}	35	25	20 _{f8}	M5	5.5	33+0.4/-0.5
32	60 _{-0.5}	45	25	28 _{f8}	M6	6.5	42.6+0.4/-0.7
40	70 _{-0.5}	54	30	36 _{f8}	M8	9	57.1+0.4/-0.7

For size	L2	L3	L4	L5	Weight [g]	Part No.	Type ¹⁾
6	45	10.5	1.5 _{-0.2}	3	6	185948	FWSR-6
8	51	12.5	1.5 _{-0.2}	3	8	185949	FWSR-8
12	77	16	3 _{-0.1}	3	15	4886221	DARF-Q12-12
16	97	18	3 _{-0.1}	5	25	4886222	DARF-Q12-16
25	116.1	24.9	3 _{-0.1}	8	60	4886223	DARF-Q12-25
32	147.1	26.1	4 _{-0.1}	10	92	4886224	DARF-Q12-32
40	178.6	44.6	5 _{-0.1}	11	155	4886225	DARF-Q12-40

1) Suitable for ATEX areas

Semi-rotary drives DRVS

Accessories

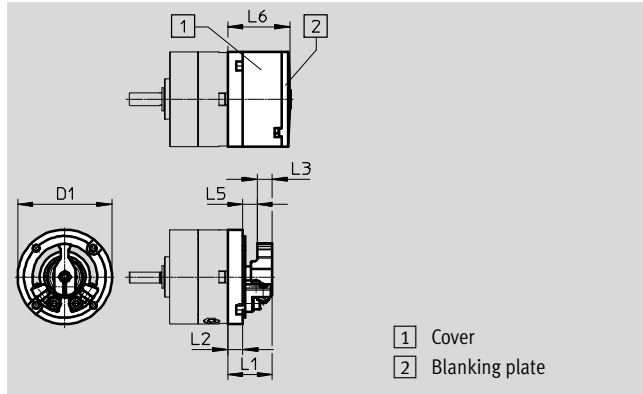
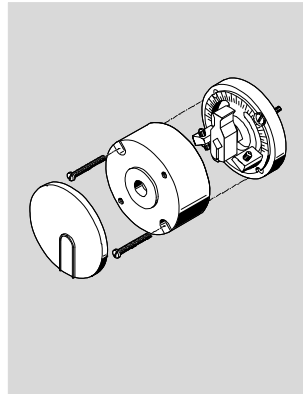
Stop kit KSM

Material:

Housing: Anodised aluminium
Stops: High-alloy stainless steel
Free of copper and PTFE

Description:

For adjusting the swivel angle



Dimensions and ordering data						
For size	D1 ∅	L1	L2	L3	L5	L6
	±0.2	+0.4	+0.3			+0.2/-0.6
6	29.4	11.2	3.2	5	2.5	17.8
8	37.4	17	6	6	5.7	24.9

For size	Swivel angle [°]	Precision adjustment [°]	Weight [g]	Part No.	Type ¹⁾
6	0 ... 180	-5 ... +1	30	175833	KSM-6
8	0 ... 180	-5 ... +1	70	175834	KSM-8

1) Suitable for ATEX areas

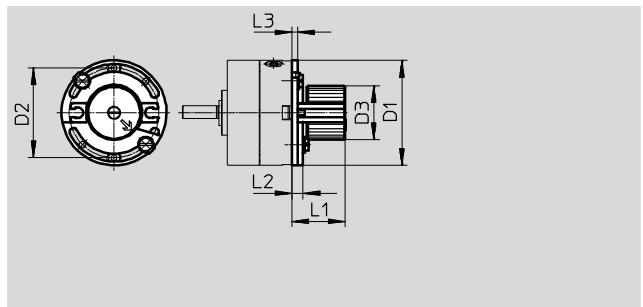
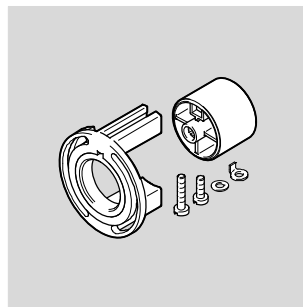
Mounting kit WSM

Material:

Bracket, magnet holder: Polyamide
Rail in bracket: Aluminium

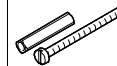
Description:

- For sensing the swivel angle
- For mounting the proximity sensor SME/SMT-10



Dimensions and ordering data							
For size	D1 ∅	D2 ∅	D3 ∅	L1	L2	L3	Part No. Type
	±0.2	±0.2		±1			
6	29.4	25	17.3	19.5	4	2	173205 WSM-6-SME-10
8	37.4	32	19.3	19.5	4	2	173206 WSM-8-SME-10

Ordering data – Adapter kit

	For size	Description	Part No.	Type
	6	For attaching mounting kit WSM to stop kit KSM	3617044	DADP-AK-Q1-6
	8		3617045	DADP-AK-Q1-8

Semi-rotary drives DRVS

Accessories

Position sensor SRBS

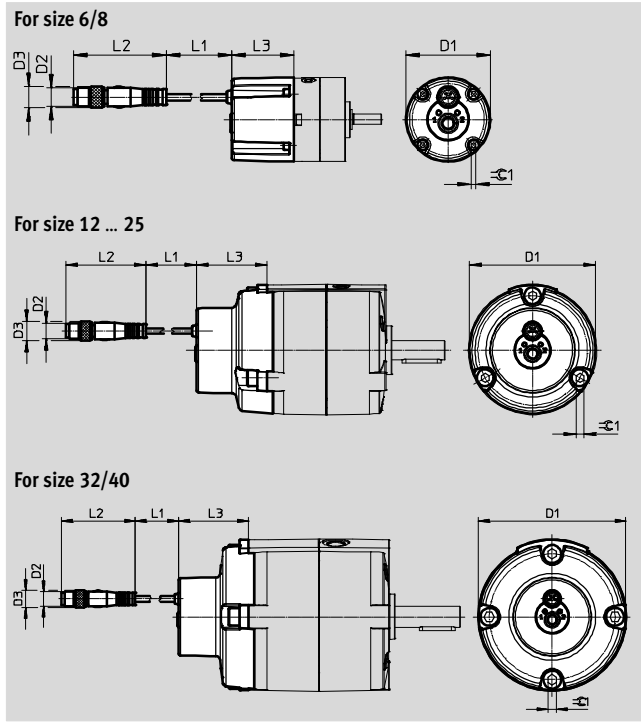
Material:

Housing: Reinforced PA, nickel-plated brass

RoHS-compliant

Description:

- Sturdy, non-contacting and enclosed position detection with long service life
- For sensing the end positions
- Simple and reliable operation using one button
- Only one connecting cable required
→ Page 23



Dimensions and ordering data							Technical data → Internet: srbs	
For size	D1 ∅	D2	D3 ∅	L1	L2	L3	⌀ 1	
6	29.4	M8x1, (Plug connector 4-pin)	9.6	300	41.1	25.4	1.5	
8	32					27.4	2	
12	44.6					29.4	3	
16	51.6					33.9	4	
25	64.5					36	4	
32	81.3					38.9	5	
40	98.3					40.4	6	

For size	Sensing range [°]	Repetition accuracy [°]	Number of switching outputs	Switching output	Switching element	Weight [g]	Part No.	Type
6	0 ... 270	≤ 1	2	PNP/NPN	N/O contact and N/C contact	25	★ 2619969	SRBS-Q12-6-E270-EP-1-S-M8
8						30	★ 2619972	SRBS-Q12-8-E270-EP-1-S-M8
12						42	★ 2393546	SRBS-Q12-12-E270-EP-1-S-M8
16						55	★ 2393547	SRBS-Q12-16-E270-EP-1-S-M8
25						60	★ 2393548	SRBS-Q12-25-E270-EP-1-S-M8
32						81	★ 2393549	SRBS-Q12-32-E270-EP-1-S-M8
40						120	★ 2393550	SRBS-Q12-40-E270-EP-1-S-M8

Festo core product range

- ★ Generally ready for shipping ex works in 24 hours
- ☆ Generally ready for shipping ex works in 5 days

Semi-rotary drives DRVS

Accessories


Stop kit DADP-ES

Material:

- Disc: Anodised aluminium
- Lever: Nickel-plated beryllium bronze
- Stop: DADP-12: Nickel-plated beryllium bronze,
- DADP-16 ... 40: Stainless steel
- RoHS-compliant

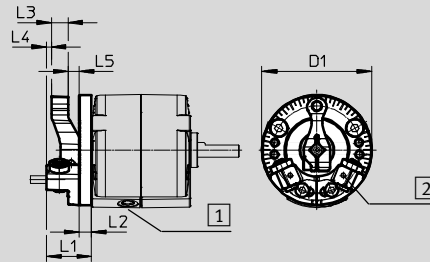
Description:

- For adjusting the swivel angle (precision adjustment via thread)
- With flexible cushioning components for noise reduction

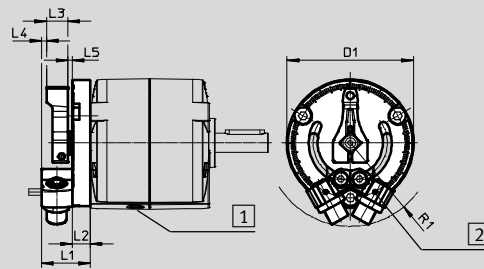
 **Note**
Permissible mass moment of inertia
→ Basic drive



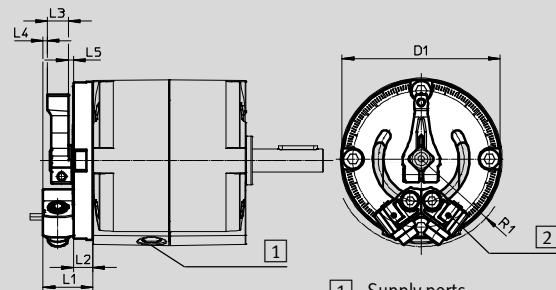
For size 12



For size 16/25



For size 32/40



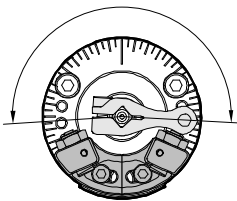
- 1 Supply ports
- 2 Mounting thread for sensor bracket

Optimal swivel motion:

For a balanced swivel motion it is recommended to position the stops symmetrically to the mid-position.

Size 12

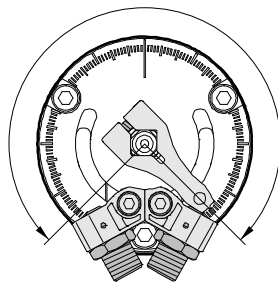
0 ... 190°



Size 16 ... 40

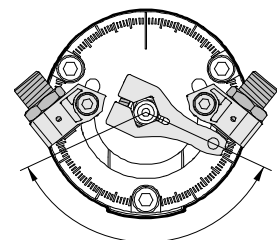
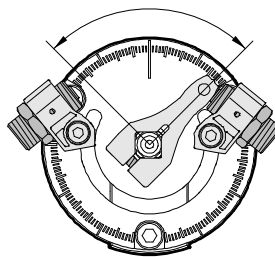
Mounting variant 90 ... 270°

Max. 270°



Mounting variant 0 ... 130°

Min. 90°



Semi-rotary drives DRVS

Accessories

Dimensions and ordering data							
For size	D1 ∅	L1	L2	L3	L4	L5	R1
12	45	18.5	5	6.8	2	4.7	–
16	51.7	21.5	9	8.5	2.3	1.7	34
25	64.6	24.8	9.2	10.8	2.5	2.3	43.5
32	81	25.6	10	10.8	2.2	2.6	45.5
40	100	32	12	13.7	3.3	3	58

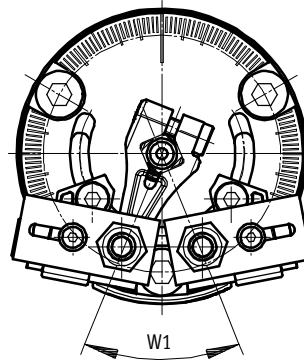
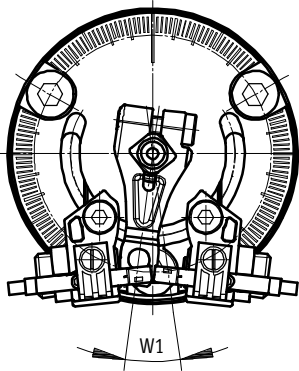
For size	Swivel angle [°]	Precision adjustment [°]	Weight [g]	Part No.	Type ¹⁾
12	0 ... 190	–6	60	2536502	DADP-ES-Q12-12
16	0 ... 270	–6	110	2536503	DADP-ES-Q12-16
25	0 ... 270	–6	180	2536504	DADP-ES-Q12-25
32	0 ... 270	–6	250	2536505	DADP-ES-Q12-32
40	0 ... 270	–6	450	2536506	DADP-ES-Q12-40

1) Suitable for ATEX areas

Minimum swivel angle W1 in combination with stop kit DADP-ES and attached proximity sensors

With proximity sensor SME-10/SMT-10

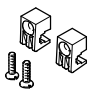

With proximity sensor SIEN-M5/SIEN-M8



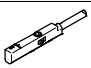
Stop kit	Proximity sensor	
	SME-10/SMT-10	SIEN-M5/SIEN-M8
DADP-ES-Q12-12	15°	60°
DADP-ES-Q12-16	15°	45°
DADP-ES-Q12-25	15°	20°
DADP-ES-Q12-32	15°	20°
DADP-ES-Q12-40	15°	15°

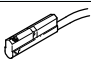
Semi-rotary drives DRVS

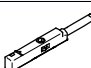
Accessories

Ordering data – Sensor bracket					
	For size	Description	Part No.	Type	PU ¹⁾
	12 ... 40	<ul style="list-style-type: none"> For sensing the swivel angle For mounting the proximity sensor SME/SMT-10 	550661	SL-DSM-B	2
	12 ... 40	<ul style="list-style-type: none"> For sensing the swivel angle For mounting the proximity sensor SIEN-M5 	1130882	SL-DSM-S-M5-B	2
		<ul style="list-style-type: none"> For sensing the swivel angle For mounting the proximity sensor SIEN-M8 	1132360	SL-DSM-S-M8-B	

1) Packaging unit

Proximity sensor for size 6 ... 40						
Ordering data – Proximity sensors for C-slot, magneto-resistive					Technical data → Internet: smt	
	Type of mounting	Switching output	Electrical connection, outlet direction	Cable length [m]	Part No.	Type
N/O contact						
	For size 6, 8: With mounting kit WSM-...-SME-10 For size 12 ... 40: Mounted on the DRVS using sensor bracket SL-DSM-B	PNP	Cable, 3-wire, in-line	2.5	★ 551373	SMT-10M-PS-24V-E-2,5-L-OE
			Plug connector M8x1, 3-pin, in-line	0.3	★ 551375	SMT-10M-PS-24V-E-0,3-L-M8D

Ordering data – Proximity sensor for C-slot, magnetic reed						Technical data → Internet: sme	
	Type of mounting	Switching output	Electrical connection, outlet direction	Cable length [m]	Part No.	Type	
N/O contact							
	For size 6, 8: With mounting kit WSM-...-SME-10 For size 12 ... 40: With sensor bracket SL-DSM-B	Contacting	Cable, 3-wire, in-line	2.5	173210	SME-10-KL-LED-24	
			Plug connector M8x1, 3-pin, in-line	0.3	173212	SME-10-SL-LED-24	

Proximity sensor for size 12 ... 40						
Ordering data – Proximity sensor for C-slot, magnetic reed					Technical data → Internet: sme	
	Type of mounting	Switching output	Electrical connection, outlet direction	Cable length [m]	Part No.	Type
N/O contact						
	With sensor bracket SL-DSM-B	Contacting	Cable, 3-wire, in-line	2.5	★ 551365	SME-10M-DS-24V-E-2,5-L-OE
			Plug connector M8x1, 3-pin, in-line	0.3	★ 551367	SME-10M-DS-24V-E-0,3-L-M8D

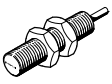
Festo core product range

- ★ Generally ready for shipping ex works in 24 hours
- ☆ Generally ready for shipping ex works in 5 days



Semi-rotary drives DRVS

Accessories

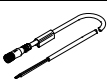
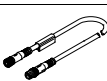
Inductive proximity sensor for size 12 ... 40

Ordering data – Proximity sensor, inductive					Technical data → Internet: sien	
	Type of mounting	Thread	Contact	Connection	Part No.	Type
	With sensor bracket SL-DSM-S	M5	N/O contact	Cable, 2.5 m	★ 150370	SIEN-M5B-PS-K-L
				Plug connector	★ 150371	SIEN-M5B-PS-S-L
		M8	N/O contact	Cable, 2.5 m	★ 150386	SIEN-M8B-PS-K-L
				Plug connector	★ 150387	SIEN-M8B-PS-S-L



Ordering data – Connecting cables

Ordering data – Connecting cables				Technical data → Internet: nebu	
	Electrical connection, left	Electrical connection, right	Cable length [m]	Part No.	Type
	Straight socket, M8x1, 3-pin	Cable, open end, 3-wire	2.5	★ 541333	NEBU-M8G3-K-2.5-LE3
			5	★ 541334	NEBU-M8G3-K-5-LE3
	Angled socket, M8x1, 3-pin	Cable, open end, 3-wire	2.5	★ 541338	NEBU-M8W3-K-2.5-LE3
			5	★ 541341	NEBU-M8W3-K-5-LE3

Connecting cables for position sensor SRBS

Accessories – Connecting cables				Technical data → Internet: nebu	
	Electrical connection, left	Electrical connection, right	Cable length [m]	Part No.	Type
	Straight socket, M8x1, 4-pin	Cable, open end, 4-wire	2.5	541342	NEBU-M8G4-K-2.5-LE4
			5	541343	NEBU-M8G4-K-5-LE4
	Straight socket, M8x1, 4-pin	Straight plug connector, M8x1, 4-pin	2.5	554035	NEBU-M8G4-K-2.5-M8G4

Ordering data – One-way flow control valves

Ordering data – One-way flow control valves					Technical data → Internet: grla	
	For size	Connection		Material	Part No.	Type
		Thread	For tubing O.D.			
For exhaust air						
	6, 8	M3	3	Metal design	175041	GRLA-M3-QS-3
			3		★ 193137	GRLA-M5-QS-3-D
	12, 16, 25	M5	4		★ 193138	GRLA-M5-QS-4-D
3			★ 193142		GRLA-1/8-QS-3-D	
4			★ 193143		GRLA-1/8-QS-4-D	
	32, 40	G1/8	6		★ 193144	GRLA-1/8QS-6-D
			8	★ 193145	GRLA-1/8-QS-8-D	

Festo core product range

★ Generally ready for shipping ex works in 24 hours

☆ Generally ready for shipping ex works in 5 days