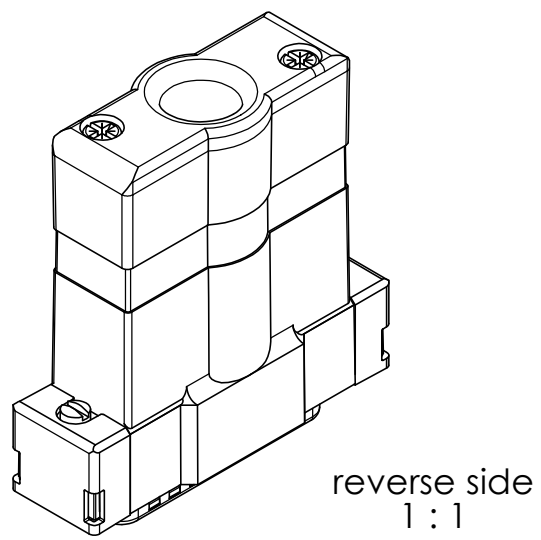
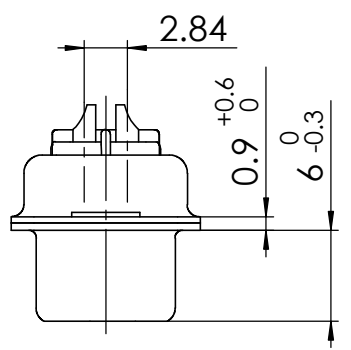
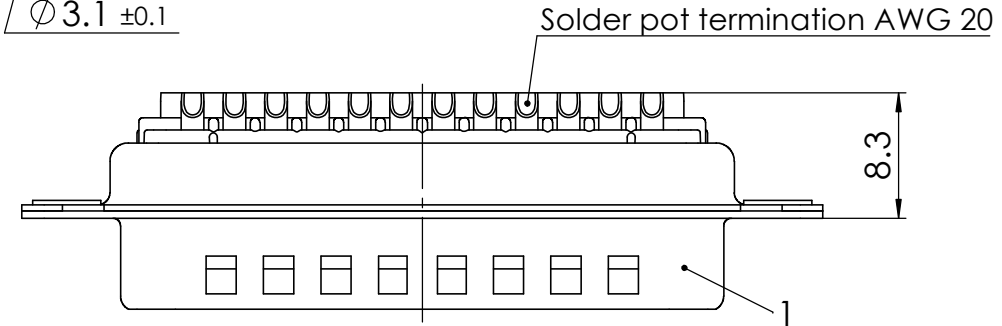
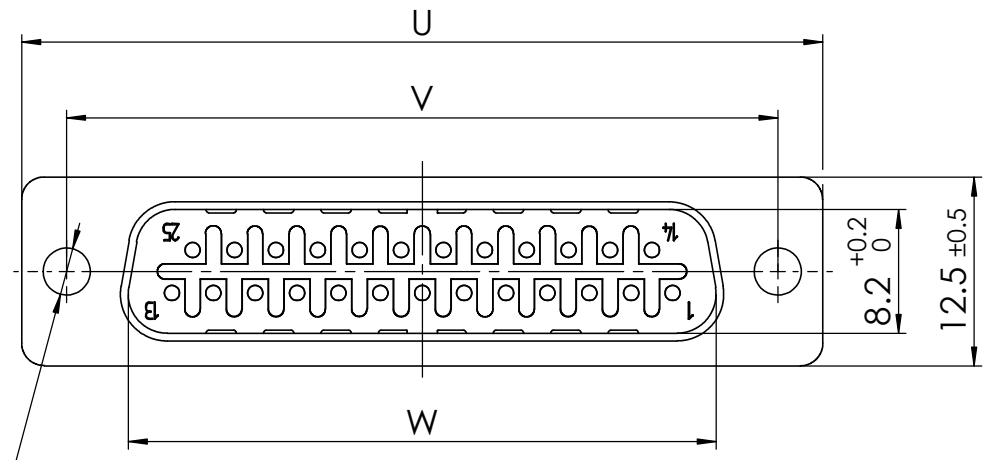
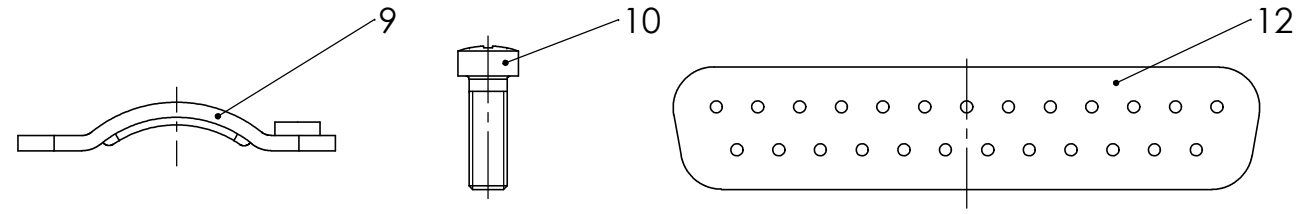


1	2	3	4			5			6		
Material-No.	Order-No.	Shell Size / for No. of Contacts	A ±0.3	B ±0.1	C ±0.3	D min - max	E ±0.3	∅F min - max	U ±0.4	V ±0.15	W +0.2
1731140387	FWH2-15P-3649	2 / 15	14.6	33.3	42	45.5 - 48	15.9	6 - 8	39.1	33.3	25.2
1731140393	FWH3-25P-3649	3 / 25	18.8	47.04	55.7	52.5 - 56.5	18.9	8 - 10.5	53	47.04	38.9

# FWHy-xxP-3649

e.g. FWH3-25P-3649

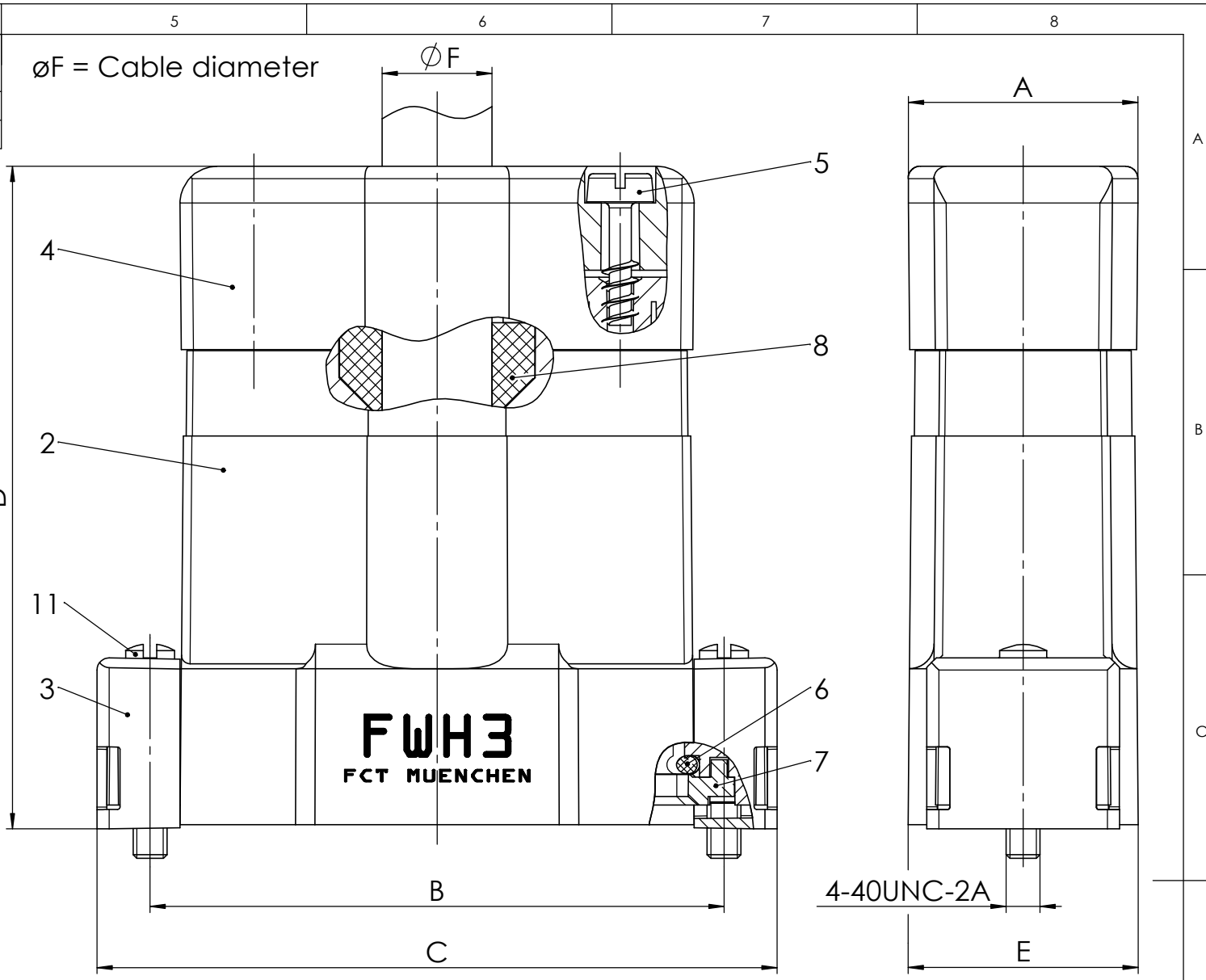
\*1) y for hood size 2 or 3  
\*2) xx No. of contacts 15 or 25



RoHS compliant by exemption

max. torque are 40 Nm  
Mounting instruction AM0324  
Parts-No. 3, 9, 10 and 12 not mounted

Protection standard IP67 according to DIN EN 60529



No.	St.	Part	Type Description / Material	Surface plating / Colour / Class
12	1	Front seal	Elastomer	black
11	2	Locking screw	FVS1/5 4-40 / Brass	nickel plated
10	2	Cable clamp screw	Steel	zinc plated
9	2	Cable clamp	Steel	zinc plated
8	1	Seal ring	Elastomer	black
7	1	Holding frame	PBT	black
6	1	O-ring seal	Elastomer	red
5	2	Shell screw	Stainless steel	blank
4	1	Hood cap	PC+ABS	black
3	2	Holding cap	PEI	black
2	1	Hood	FWHy / PC+ABS	black
1	1	Waterproof D-Sub Connector	FxxP-K700	

THIS DRAWING CONTAINS INFORMATION THAT IS PROPRIETARY TO MOLEX ELECTRONIC TECHNOLOGIES, LLC AND SHOULD NOT BE USED WITHOUT WRITTEN PERMISSION

SYMBOLS		DIMENSION UNITS		SCALE	MEASUREMENTS WITHOUT TOLERANCE ACC. TO ISO 2768-m		<b>molex</b>	
$\nabla = 0$ $\nabla = 0$ $\nabla = 0$ $\nabla = 0$ $\nabla = 0$ $\nabla = 0$ $\nabla = 0$ $\nabla = 0$ $\nabla = 0$ $\nabla = 0$		mm		2:1				
					CURRENT REVISION		FCT-Hood Connector Set waterproof	
					DRWN: DRAWN BY ameyerrichte 27-08-2019			
					APPR: APPR BY HStanisch 27-08-2019		PRODUCT CUSTOMER DRAWING	
					INITIAL REVISION			
					DRWN: DRAWN BY BWittek 28-02-2008		MATERIAL NUMBER see table REVISION 4	
					APPR: APPR BY ameyerrichte 05-12-2014			
					REPLACEMENT FOR:		DOCUMENT NUMBER FWHy-xxP-3649	
					THIRD ANGLE PROJECTION			
					DRAWING A3-SIZE		CUSTOMER GENERAL MARKET SHEET NUMBER 1 OF 1	

COMMENT: ALL RIGHTS ARE RESERVED BY US FOR THIS DRAWING. WITHOUT OUR PRIOR CONSENT, IT MAY NEITHER BE DUPLICATED NOR MADE AVAILABLE TO A THIRD PARTY. AND IT ALSO MAY NOT BE IMPROPERLY USED BY THE RECEIVER, OR A THIRD PARTY.