

GN 187.5 | Toothed clamping elements

Stainless steel



- 1
- 2
- 3
- 4
- 5
- 6
- 7
- 8
- 9
- 10
- 11
- 12
- 13
- 14
- 15
- 16
- 17
- 18

MATERIAL

Cast AISI CF-8 stainless steel, sandblasted matte finish.

STANDARD EXECUTIONS

- **GN 187.5-A-NI**: with unthreaded stud (for welding).
- **GN 187.5-B-NI**: with stud with threaded hole.
- **GN 187.5-C-NI**: with threaded stud.
- **GN 187.5-DH-NI**: with horizontal fastening flange.
- **GN 187.5-E-NI**: toothed plate (for welding).

FEATURES AND APPLICATIONS

GN 187.5 toothed elements are used for the assembly of two parts at a certain angle.

They can be installed in combination with the clamping kit GN 187.6, facilitating adjustments to the positioning of the individual toothed elements according to the needs of the type of application.

Further possible uses in combination with toothed elements GN 187.4.

ACCESSORIES ON REQUEST

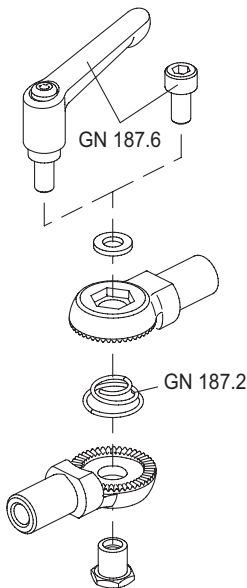
GN 187.4: toothed elements (see page -).

GN 187.2: push springs (see page 952).

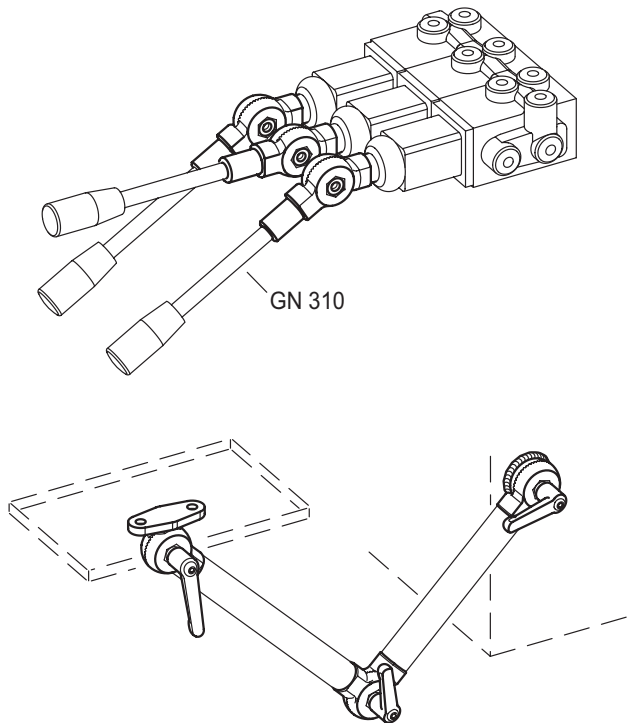
GN 187.6: clamping kit (see page -).



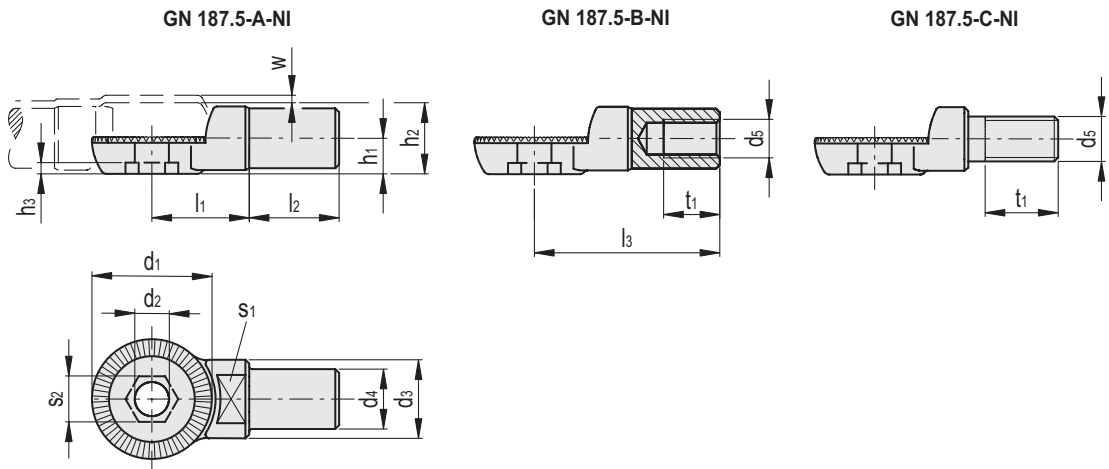
Assembly instructions



Application examples



Standard machine parts



GN 187.5-A-NI

INOX STAINLESS STEEL

Code	Description	d1	d2	d3	d4	l1	l2	h1	h2	h3	s1	s2	Teeth no.	wmin	⚖️
GN.31261	GN 187.5-27-48-A-NI	27	9	18	13	21	20	8	16	3	14	12	48	0.8	69
GN.31267	GN 187.5-27-60-A-NI	27	9	18	13	21	20	8	16	3	14	12	60	0.8	57
GN.31273	GN 187.5-32-48-A-NI	32	9	21	16	26	24	9.5	19	3	17	12	48	0.8	103
GN.31279	GN 187.5-32-60-A-NI	32	9	21	16	26	24	9.5	19	3	17	12	60	0.8	103
GN.31285	GN 187.5-40-48-A-NI	40	11	27	20	31.5	32	12	24	4	22	14	48	1	206
GN.31291	GN 187.5-40-60-A-NI	40	11	27	20	31.5	32	12	24	4	22	14	60	1	206

GN 187.5-B-NI

INOX STAINLESS STEEL

Code	Description	d1	d2	d3	d4	d5	l1	l3	h1	h2	h3	s1	s2	t1	Teeth no.	wmin	⚖️
GN.31262	GN 187.5-27-48-B-NI	27	9	18	13	M8	21	40.5	8	16	3	14	12	12	48	0.8	51
GN.31268	GN 187.5-27-60-B-NI	27	9	18	13	M8	21	40.5	8	16	3	14	12	12	60	0.8	50
GN.31274	GN 187.5-32-48-B-NI	32	9	21	16	M10	26	49.5	9.5	19	3	17	12	15	48	0.8	92
GN.31280	GN 187.5-32-60-B-NI	32	9	21	16	M10	26	49.5	9.5	19	3	17	12	15	60	0.8	93
GN.31286	GN 187.5-40-48-B-NI	40	11	27	20	M12	31.5	63	12	24	4	22	14	18	48	1	186
GN.31292	GN 187.5-40-60-B-NI	40	11	27	20	M12	31.5	63	12	24	4	22	14	18	60	1	187

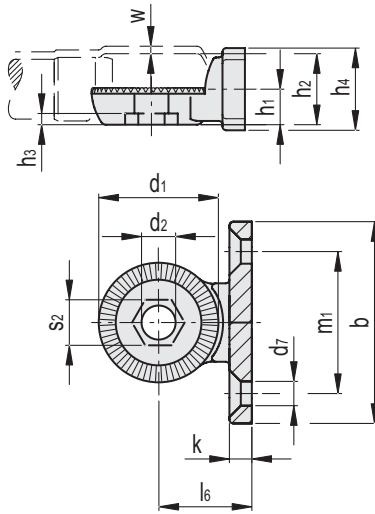
GN 187.5-C-NI

INOX STAINLESS STEEL

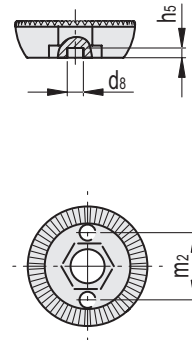
Code	Description	d1	d2	d3	d5	l1	l2	h1	h2	h3	s1	s2	t1	Teeth no.	wmin	⚖️
GN.31263	GN 187.5-27-48-C-NI	27	9	18	M10	21	20	8	16	3	14	12	17	48	0.8	46
GN.31269	GN 187.5-27-60-C-NI	27	9	18	M10	21	20	8	16	3	14	12	17	60	0.8	46
GN.31275	GN 187.5-32-48-C-NI	32	9	21	M12	25	24	9.5	19	3	17	12	20	48	0.8	82
GN.31281	GN 187.5-32-60-C-NI	32	9	21	M12	25	24	9.5	19	3	17	12	20	60	0.8	83
GN.31287	GN 187.5-40-48-C-NI	40	11	27	M16	31	32	12	24	4	22	14	26	48	1	181
GN.31293	GN 187.5-40-60-C-NI	40	11	27	M16	31	32	12	24	4	22	14	26	60	1	181

- 1
- 2
- 3
- 4
- 5
- 6
- 7
- 8
- 9
- 10
- 11
- 12
- 13
- 14
- 15
- 16
- 17
- 18

GN 187.5-DH-NI



GN 187.5-E-NI



GN 187.5-DH-NI

INOX STAINLESS STEEL

Code	Description	d1	d2	d7	b	l6	h1	h2	h3	h4	k	s2	m1	Teeth no.	wmin	
GN.31264	GN 187.5-27-48-DH-NI	27	9	5.3	46	21	8	16	3	20	5	12	32	48	0.8	52
GN.31270	GN 187.5-27-60-DH-NI	27	9	5.3	46	21	8	16	3	20	5	12	32	60	0.8	52
GN.31276	GN 187.5-32-48-DH-NI	32	9	6.5	54	25	9.5	19	3	22	6	12	38	48	0.8	87
GN.31282	GN 187.5-32-60-DH-NI	32	9	6.5	54	25	9.5	19	3	22	6	12	38	60	0.8	87
GN.31288	GN 187.5-40-48-DH-NI	40	11	8.5	70	30.5	12	24	4	30	7	14	48	48	1	174
GN.31294	GN 187.5-40-60-DH-NI	40	11	8.5	70	30.5	12	24	4	30	7	14	48	60	1	174

GN 187.5-E-NI

INOX STAINLESS STEEL

Code	Description	d1	d2	d8	h1	h2	h3	h5	s2	m2	Teeth no.	wmin	
GN.31265	GN 187.5-27-48-E-NI	27	9	2.5	8	16	3	1.5	12	17	48	0.8	24
GN.31271	GN 187.5-27-60-E-NI	27	9	2.5	8	16	3	1.5	12	17	60	0.8	22
GN.31277	GN 187.5-32-48-E-NI	32	9	3	9.5	19	3	2	12	20	48	0.8	46
GN.31283	GN 187.5-32-60-E-NI	32	9	3	9.5	19	3	2	12	20	60	0.8	42
GN.31289	GN 187.5-40-48-E-NI	40	11	4	12	24	4	2.5	14	24	48	1	81
GN.31295	GN 187.5-40-60-E-NI	40	11	4	12	24	4	2.5	14	24	60	1	82

Standard machine parts