

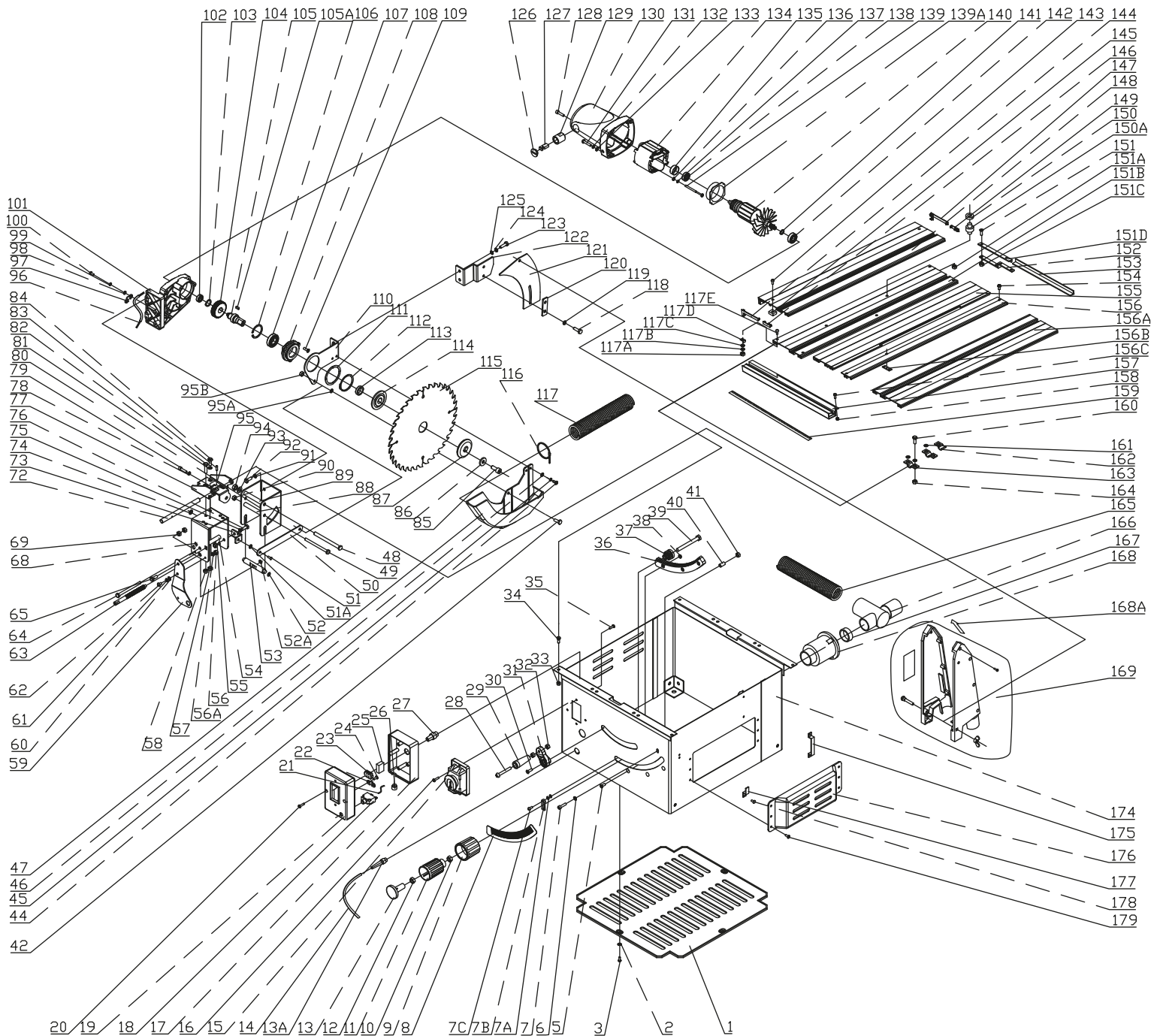


SPARE PARTS DRAWING SHEET FOR

230V 250mm Sliding Table Saw

Stock No.99258

Part No.BTS256A



Helpline: (023) 8049 4344. Sales Desk: (023) 8049 4333. General Enquiries: (023) 8026 6355.

DRAPER TOOLS LTD, HURSLEY ROAD, CHANDLER'S FORD, EASTLEIGH, HANTS. SO53 1YF. U.K website: www.drapertools.com e-mail: sales@drapertools.com

RDKC1119

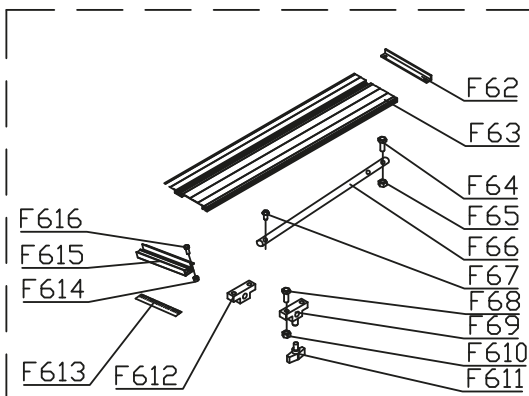
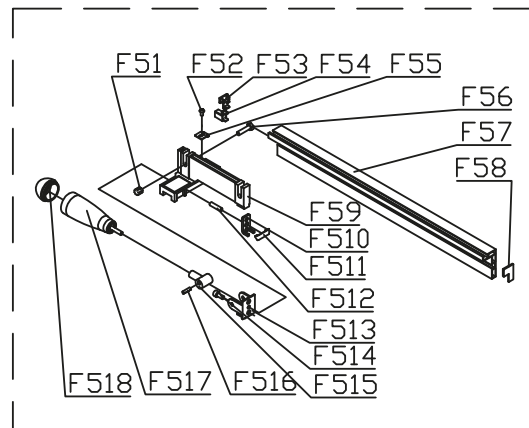
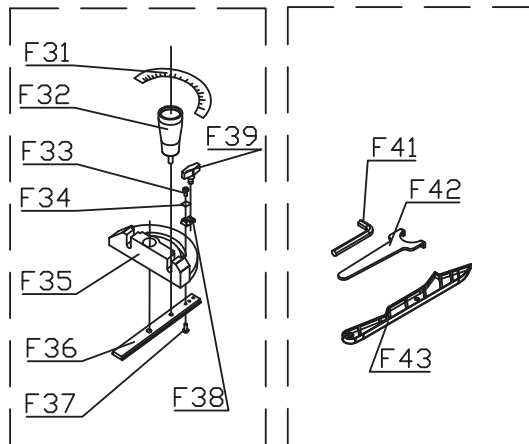


SPARE PARTS DRAWING SHEET FOR

230V 250mm Sliding Table Saw

Stock No.99258

Part No.BTS256A



Helpline: (023) 8049 4344. **Sales Desk:** (023) 8049 4333. **General Enquiries:** (023) 8026 6355.

DRAPER TOOLS LTD, HURSLEY ROAD, CHANDLER'S FORD, EASTLEIGH, HANTS. SO53 1YF. U.K website: www.drapertools.com e-mail: sales@drapertools.com

RDKC1119



SPARE PARTS LISTING SHEET FOR

230V 250mm Sliding Table Saw

Stock No.99258

Part No.BTS256A

KEY No.	PART No.	STOCK No.	DESCRIPTION
1	YBTS256-01	82849	Box bottom cover
2	YBTS256-02	82850	Washer
3	YBTS256-03	82851	Screw m4x10
5	YBTS256-05	82852	Screw m4x14
6	YBTS256-06	82853	Washer (18x1.2X6.5)
7	YBTS256-07	82854	Screw m6x25
7A	YBTS256-07A	82855	Washer
7B	YBTS256-07B	82856	Angle pointer
7C	YBTS256-07C	82857	Screw m4x10
8	YBTS256-08	82858	Angle scale
9	YBTS256-09	82859	Angle adjust handle
10	YBTS256-10	82860	Lock nut m8
11	YBTS256-11	82861	Angle lock handle
12	YBTS256-12	82862	Nut m8(13)
13	YBTS256-13	82863	Handle cover
13A	YBTS256-13A	82864	Cable locker
14	YBTS256-14	82867	Cable
15	YBTS256-15	82868	Switch
16	YBTS256-16	82871	Screw st 4x40
17	YBTS256-17	82873	Switch base
18	YBTS256-18	82875	Over-load protector
19	YBTS256-19	82876	Switch base cover
20	YBTS256-20	82877	Screw st4x16
21	YBTS256-21	82878	Wire
22	YBTS256-22	82879	Cable press board
23	YBTS256-23	82880	Wire connection
24	YBTS256-24	82881	Screw st4x16
25	YBTS256-25	82882	Capacitor
26	YBTS256-26	82883	Cable bush
27	YBTS256-27	82884	Cable locker
28	YBTS256-28	82885	Screw m6x45
29	YBTS256-29	82886	Rocker handle
30	YBTS256-30	82887	Screw m5x16
31	YBTS256-31	82888	Rocker
32	YBTS256-32	82889	Nut m6
33	YBTS256-33	82890	Nut m6

KEY No.	PART No.	STOCK No.	DESCRIPTION
34	YBTS256-34	82891	Bolt m6
34A	YBTS256A-34A	99323	Angle ruler base (NOT SHOWN)
35	YBTS256-35	82892	Screw st4x14
36	YBTS256-36	82893	Tooth orbit
37	YBTS256-37	82894	Gear
38	YBTS256-38	82895	Nut m4
39	YBTS256-39	82896	Bolt m8x75
40	YBTS256-40	82897	45 Lock pole
41	YBTS256-41	82900	Nut 6
42	YBTS256-42	82901	Bolt m6x16
44	YBTS256-44	82902	Screw m5x10
45	YBTS256-45	82903	Spring washer 5
46	YBTS256-46	82904	Flat washer 5
47	YBTS256-47	82905	Inner guard
48	YBTS256-48	82906	Support board a bolt
49	YBTS256-49	82907	Bolt m6x80
50	YBTS256-50	82908	Connection bar
51	YBTS256-51	82909	Lock pin
51A	YBTS256-51A	82910	Spring washer 8
52	YBTS256-52	82911	Flat washer 8
52A	YBTS256-52A	82912	Flat washer 10
53	YBTS256-53	82913	Bolt
54	YBTS256-54	82914	Lock pole 1
55	YBTS256-55	82915	Nut m6
56	YBTS256-56	82916	Nut m6
56A	YBTS256-56A	82918	Flat washer 6
57	YBTS256-57	82919	Lock nut m6
58	YBTS256-58	82920	Nut m6
59	YBTS256-59	82921	Turn board
60	YBTS256-60	82922	Flat washer 5
61	YBTS256-61	82923	Spring washer 5
62	YBTS256-62	82924	Screw m5x10
63	YBTS256-63	82925	Up and down adjust bolt
64	YBTS256-64	82926	Bolt m6x80
65	YBTS256-65	82927	Bolt m6x16
68	YBTS256-68	82928	Support board b

Helpline: (023) 8049 4344. Sales Desk: (023) 8049 4333. General Enquiries: (023) 8026 6355.

DRAPER TOOLS LTD, HURSLEY ROAD, CHANDLER'S FORD, EASTLEIGH, HANTS. SO53 1YF. U.K website: www.drapertools.com e-mail: sales@drapertools.com



SPARE PARTS LISTING SHEET FOR

230V 250mm Sliding Table Saw

Stock No.99258

Part No.BTS256A

KEY No.	PART No.	STOCK No.	DESCRIPTION
69	YBTS256-69	82929	Nut m10
72	YBTS256-72	82930	Return shaft
73	YBTS256-73	82931	Lock board
74	YBTS256-74	82932	Lock washer
75	YBTS256-75	82933	Spring washer 6
76	YBTS256-76	82934	Bolt m6x16
77	YBTS256-77	82935	Supprt board c
78	YBTS256-78	82936	Spring washer 5
79	YBTS256-79	82937	Screw m5x20
80	YBTS256-80	82938	Support board a
81	YBTS256-81	82939	Spring washer 6
82	YBTS256-82	82940	Bolt m6x40
83	YBTS256-83	82941	Lock pin 4x13
84	YBTS256-84	82942	Bolt m6x16
85	YBTS256-85	82943	Screw m8x20
86	YBTS256-86	82944	Washer
87	YBTS256-87	82945	Blade flange
88	YBTS256-88	82946	Lock pole1
89	YBTS256-89	82947	Lock pole2
90	YBTS256-90	82948	Nut m6
91	YBTS256-91	82952	Spring washer 6
92	YBTS256-92	82953	Bolt m6x16
93	YBTS256-93	82954	Washer 8
94	YBTS256-94	82955	Nut m8
95	YBTS256-95	82956	Support washer
95A	YBTS256-95A	82958	Washer 6
95B	YBTS256-95B	82959	Nut m6
96	YBTS256-96	82960	Motor cable
97	YBTS256-97	82965	Cable press sheet
98	YBTS256-98	82967	Flat washer 4
99	YBTS256-99	82969	Spring washer 4
100	YBTS256-100	82971	Screw m4x16
101	YBTS256-101	82974	Gear box
102	YBTS256-102	82976	Bearing 698-2z
103	YBTS256-103	82978	Lock washer 15
104	YBTS256-104	82987	Gear

KEY No.	PART No.	STOCK No.	DESCRIPTION
105	YBTS256-105	82988	Gear shaft
105A	YBTS256-105A	82989	Key
106	YBTS256-106	82993	Lock washer 35
107	YBTS256-107	82995	Bearing 6003-z
108	YBTS256-108	82996	Bearing base
109	YBTS256-109	82997	Screw m5x16
110	YBTS256-110	82998	Return sheet
111	YBTS256-111	82999	Spring washer
112	YBTS256-112	83000	Lock washer 45
113	YBTS256-113	83001	Adjust washer
114	YBTS256-114	83002	Blade flange
115			Blade
116	YBTS256-116	83003	Tie band
117	YBTS256-117	83004	Soft tube
117A	YBTS256-117A	83005	Lock nut m5
117B	YBTS256-117B	83006	Flat washer 5
117C	YBTS256-117C	83007	Spring washer 5
117D	YBTS256-117D	83009	Slide table locker
117E	YBTS256-117E	83011	Screw m5x16
118	YBTS256-118	83012	Bolt m6x12
119	YBTS256-119	83013	Spring washer 6
120	YBTS256-120	83014	Riving knife lock sheet
121	YBTS256-121	83015	Riving knife
122	YBTS256-122	83016	Adjust board
123	YBTS256-123	83017	Bolt m6x12
124	YBTS256-124	83018	Spring washer 6
125	YBTS256-125	83019	Flat washer 6
125A	YBTS256A-125A	99324	Stator spring (NOT SHOWN)
126	YBTS256-126	83020	Carbon brush cover
127	YBTS256-127	83021	Carbon brush
128	YBTS256-128	83022	Screw m4
129	YBTS256A-129A	99327	Carbon brush holder
130	YBTS256-130	83024	Housing
131	YBTS256-131	83025	Screw m5x25
132	YBTS256-132	83026	Spring washer 5
133	YBTS256-133	83027	Flat washer

Helpline: (023) 8049 4344. Sales Desk: (023) 8049 4333. General Enquiries: (023) 8026 6355.



SPARE PARTS LISTING SHEET FOR 230V 250mm Sliding Table Saw

Stock No.99258

Part No.BTS256A

KEY No.	PART No.	STOCK No.	DESCRIPTION
134	YBTS256-134	83029	Stator
135	YBTS256-135	83030	Rubber bearing base
136	YBTS256-136	83031	Flat washer
137	YBTS256-137	83032	Spring washer
138	YBTS256-138	83034	Bearing 627-z
139	YBTS256-139	83035	Screw m4x60
139A	YBTS256-139A	83037	Wind-proof ring
140	YBTS256-140	83038	Rotor
141	YBTS256-141	83039	Lock washer 10
142	YBTS256-142	83040	Bearing 6000-z
143	YBTS256-143	83041	Screw st 4x10
144	YBTS256-144	83042	Slide table cover 2
145	YBTS256-145	83043	Sliding lock block
146	YBTS256-146	83045	Slide table cover 4
147	YBTS256-147	83046	Slide table cover 1
148	YBTS256-148	83047	Left slide table
149	YBTS256-149	83048	Slide table cover 3
150	YBTS256-150	83049	Bearing 607-2z
150A	YBTS256-150A	83050	Eccentric shaft
151	YBTS256-151	83051	Screw m5 x18
151A	YBTS256-151A	83053	Nut m6
151B	YBTS256-151B	83054	Left lower table
151C	YBTS256-151C	83056	Nut m5
151D	YBTS256-151D	83057	Back connection 2
152	YBTS256-152	83058	Back support sheet
153	YBTS256-153	83060	Back connection 1
154	YBTS256-154	83062	Screw m5x16
154A	YBTS256-154A	99322	Left table 3 (NOT SHOWN)
155	YBTS256-155	83063	Middle table
156	YBTS256-156	83064	Middle table 2
156A	YBTS256-156A	83065	Right table
156B	YBTS256-156B	83068	Middle table support
156C	YBTS256-156C	83069	Bolt m6x12
157	YBTS256-157	83071	Slide table connection
158	YBTS256-158	83072	Nut m6
159	YBTS256-159	83073	Table scale

KEY No.	PART No.	STOCK No.	DESCRIPTION
160	YBTS256-160	83076	Bolt m6x12
161	YBTS256-161	83078	Flat washer 6
162	YBTS256-162	83080	Pressure board b
163	YBTS256-163	83082	Pressure board a
164	YBTS256-164	83083	Lock nut m6
165	YBTS256-165	83084	Vac tube
166	YBTS256-166	83085	Adaptor
167	YBTS256-167	83087	Seal ring
168	YBTS256-168	83088	Dust tube connection
168A	YBTS256-168A	83091	Arrow lable
169	YBTS256-169	83093	Table blade guard assembly
174	YBTS256-174	83104	Steel box
175	YBTS256-175	83105	Push stick lock b
176	YBTS256-176	83107	Cover
177	YBTS256-177	83108	Push stick lock a
178	YBTS256-178	83109	Rivet
179	YBTS256-179	83110	Screw st4x10 & fence frame
180	YBTS256-180	83111	Mitre gauge + rail
41	YBTS256-F41	83113	Hex key 6mm
F42	YBTS256-F42	83115	Fork spanner
F43	YBTS256-F43	83116	Push stick
F51	YBTS256-F51	83119	Knob
F52	YBTS256-F52	83120	Screw m4x6
F53	YBTS256-F53	83121	Fence cover a
F54	YBTS256-F54	83122	Fence cover c
F55	YBTS256-F55	83123	Fence pointer
F56	YBTS256-F56	83124	Bolt m6x25
F57	YBTS256-F57	83125	Fence
F58	YBTS256-F58	83126	Fence cover b
F59	YBTS256-F59	83127	Fence base
F510	YBTS256-F510	83128	Fence lock fork
F511	YBTS256-F511	83129	Fence lock sheet
F512	YBTS256-F512	83131	Pin φ6x20
F513	YBTS256-F513	83132	Eccentric frame
F514	YBTS256-F514	83134	Screw m6x12
F515	YBTS256-F515	83136	Eccent wheel

Helpline: (023) 8049 4344. Sales Desk: (023) 8049 4333. General Enquiries: (023) 8026 6355.

DRAPER TOOLS LTD, HURSLEY ROAD, CHANDLER'S FORD, EASTLEIGH, HANTS. SO53 1YF. U.K website: www.drapertools.com e-mail: sales@drapertools.com



SPARE PARTS LISTING SHEET FOR
230V 250mm
Sliding Table Saw

Stock No.99258

Part No.BTS256A

KEY No.	PART No.	STOCK No.	DESCRIPTION
F516	YBTS256-F516	83137	Spring pin ϕ 5x25
F517	YBTS256-F517	83138	Angle fence handle
F518	YBTS256-F518	83139	Handle cover
F62	YBTS256-F62	83140	Back table connection
F63	YBTS256-F63	83141	Right extension table
F64	YBTS256-F64	83142	Bolt m6x22
F65	YBTS256-F65	83143	Nut m6
F66	YBTS256-F66	83144	Extension bar
F67	YBTS256-F67	83145	Screw m5x8
F68	YBTS256-F68	83146	Bolt m6x16

KEY	PART No.	STOCK No.	DESCRIPTION
F69	YBTS256-F69	83147	Slide bar base a
F610	YBTS256-F610	83149	Lock nut m6
F611	YBTS256-F611	83150	Knob m6x20
F612	YBTS256-F612	83152	Slide bar base b
F613	YBTS256-F613	83153	Scale
F614	YBTS256-F614	83154	Lock nut m6
F615	YBTS256-F615	83155	Front connection
F616	YBTS256-F616	83156	Bolt m6x12

Helpline: (023) 8049 4344. **Sales Desk:** (023) 8049 4333. **General Enquiries:** (023) 8026 6355.

DRAPER TOOLS LTD, HURSLEY ROAD, CHANDLER'S FORD, EASTLEIGH, HANTS. SO53 1YF. U.K website: www.drapertools.com e-mail: sales@drapertools.com