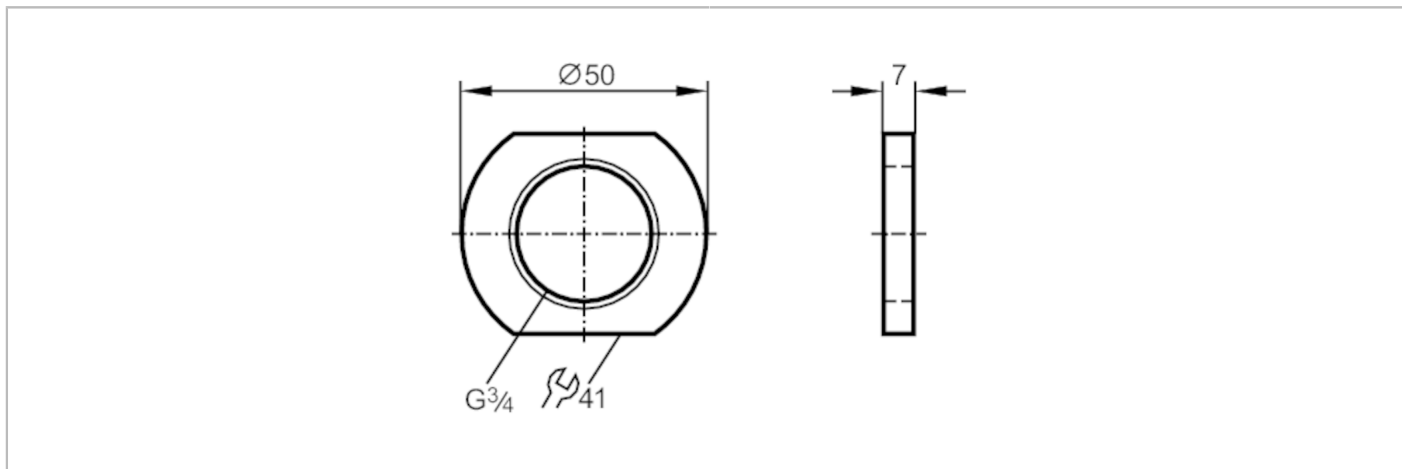


E43902



Lock nut for mounting adapter

LOCK NUT G3/4",POM



Application	
Design	for mounting adapters
Operating conditions	
Ambient temperature [°C]	-25...80
Mechanical data	
Weight [g]	13.4
External diameter [mm]	50
Materials	POM
Remarks	
Pack quantity	1 pcs.