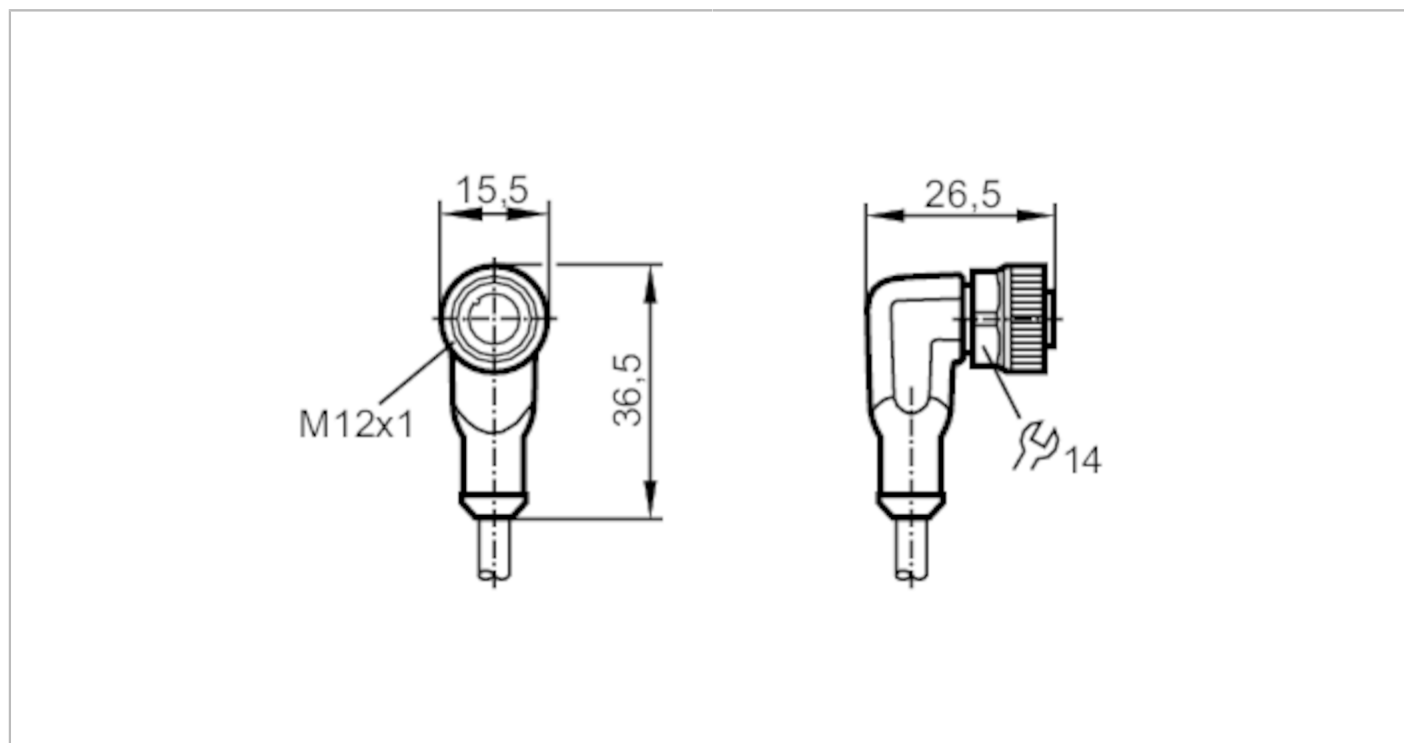


EVC02E



PNP/NPN inverter module

Converter PNP-NPN SIGNAL PIN 2



| Application | |
|---|--|
| Special feature | Halogen-free; Gold-plated contacts; Drag chain suitability |
| Compatible with paint | yes |
| Electrical data | |
| Operating voltage tolerance [%] | 10 |
| Operating voltage [V] | < 24 DC |
| Protection class | II |
| Max. current load total [A] | 0.1 |
| Outputs | |
| Max. voltage drop switching output DC [V] | 2 |
| Operating conditions | |
| Ambient temperature [°C] | -25...60 |
| Ambient temperature (moving) [°C] | -25...60 |
| Protection | IP 65; IP 67; IP 68; IP 69K |

EVC02E



PNP/NPN inverter module

Converter PNP-NPN SIGNAL PIN 2

| Mechanical data | | |
|------------------------|----------------------------------|--|
| Weight [g] | 180.1 | |
| Dimensions [mm] | 26.5 x 15.5 x 36.5 | |
| Materials | housing: TPU black; Sealing: FKM | |
| Material nut | brass, nickel-plated | |
| Drag chain suitability | yes | |
| Drag chain suitability | bending radius for flexible use | min. 10 x cable diameter |
| | travel speed | max. 3.3 m/s for a horizontal travel length of 5 m and max. acceleration of 5 m/s ² |
| | bending cycles | > 5 Mio. |
| | torsional strain | ± 180 °/m |
| | | |

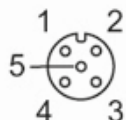
| Remarks | |
|---------------|---|
| Remarks | for sensors to IEC 60947-5-2 with normally closed operation |
| Notes | Please see the technical note under "Downloads" |
| Pack quantity | 1 pcs. |

Electrical connection

Cable: 5 m, PUR, Halogen-free, black, Ø 4.3 mm; 4 x 0.34 mm² (42 x Ø 0.1 mm)

Electrical connection - socket

Connector: 1 x M12, angled; Locking: brass, nickel-plated; Contacts: gold-plated; Tightening torque: 0.6...1.5 Nm



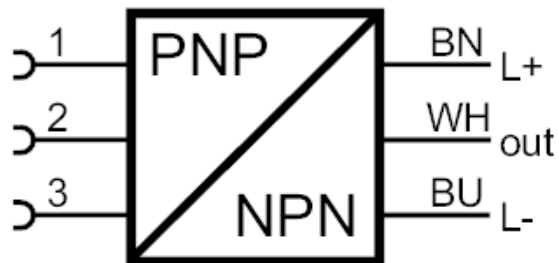
EVC02E



PNP/NPN inverter module

Converter PNP-NPN SIGNAL PIN 2

Connection



Core colours :

| | |
|------|-------|
| BK = | black |
| BN = | brown |
| BU = | blue |
| WH = | white |