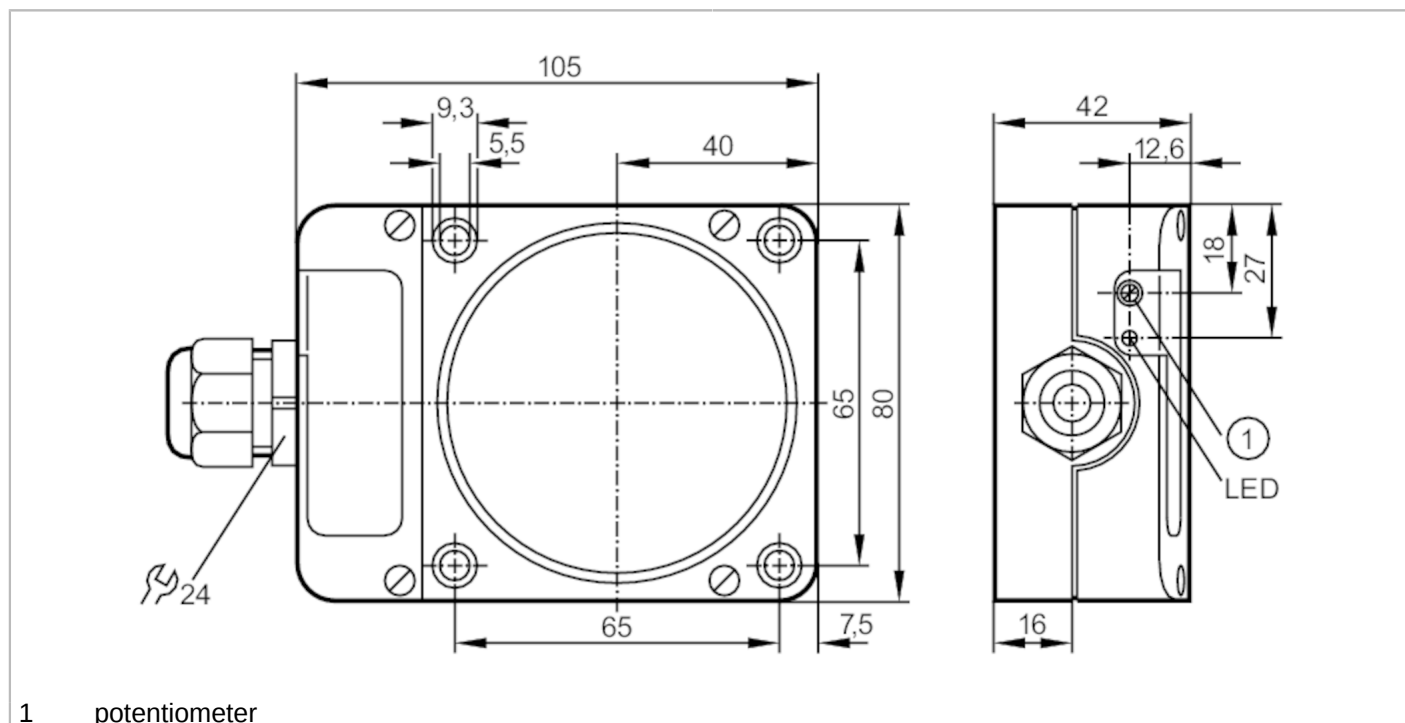


ID002A



Inductive sensor

IDE2060-FBOA/3D



1 potentiometer



Product characteristics

Output function		normally open / normally closed; (selectable)
Sensing range	[mm]	60
Housing		rectangular
Dimensions	[mm]	105 x 80 x 42

Electrical data


Operating voltage	[V]	20...250 AC/DC
Protection class		II
Reverse polarity protection		no

ID002A



Inductive sensor

IDE2060-FBOA/3D

Outputs		
Output function		normally open / normally closed; (selectable)
Max. voltage drop switching output DC [V]		6
Max. voltage drop switching output AC [V]		6.5
Minimum load current [mA]		5
Max. leakage current [mA]		2.5 (250 V AC) / 1.3 (110 V AC) / 0.8 (24 V DC)
Permanent current rating of switching output AC [mA]		200
Permanent current rating of switching output DC [mA]		100
Short-time current rating of switching output [mA]		2200; (20 ms / 0,5 Hz)
Switching frequency AC [Hz]		4
Switching frequency DC [Hz]		4
Notes on switching frequency		only for resistive loads; 2 Hz for utilisation category AC-140
Short-circuit proof		no
Overload protection		no
Detection zone		
Sensing range [mm]		60
Sensing range adjustable		yes
Factory setting sensing range [mm]		60
Real sensing range Sr [mm]		60 ± 10 %
Operating distance [mm]		0...48.6
Accuracy / deviations		
Correction factor		steel: 1 / stainless steel: 0.7 / brass: 0.4 / aluminium: 0.3 / copper: 0.2
Hysteresis [% of Sr]		1...15
Switch point drift [% of Sr]		-10...10
Operating conditions		
Ambient temperature [°C]		-20...60
Protection		IP 65
Tests / approvals		
ATEX marking		 II 3D Ex tc IIIC T90°C Dc X IP65
EMC		EN 60947-5-2
MTTF [years]		454
Mechanical data		
Weight [g]		510
Housing		rectangular
Mounting		non-flush mountable
Dimensions [mm]		105 x 80 x 42
Materials		PPE modified; PA
Tightening torque [Nm]		housing screws: 0,9 Nm; screws: 4 Nm
Displays / operating elements		
Display	switching status	1 x LED, yellow

ID002A



Inductive sensor

IDE2060-FBOA/3D

Electrical connection

Required protection	miniature fuse to IEC60127-2 sheet 1; ≤ 2 A; fast acting; Place the fuse outside the hazardous area.
---------------------	---

Accessories

Accessories (supplied)	screwdriver: 1
------------------------	----------------

Remarks

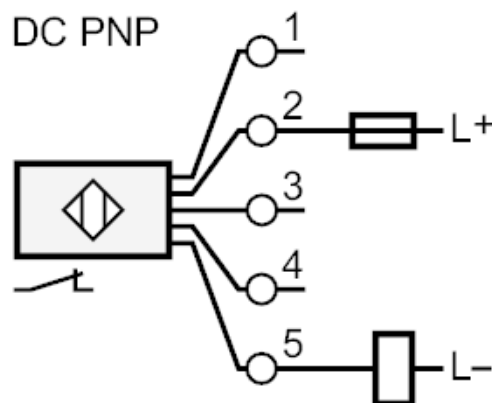
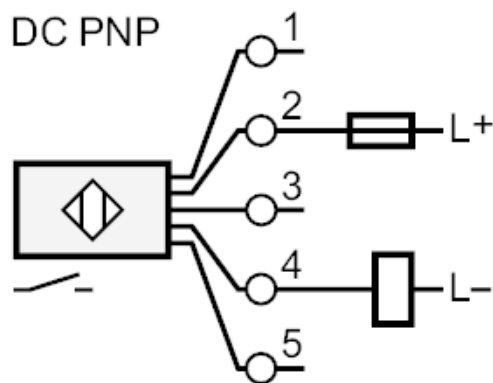
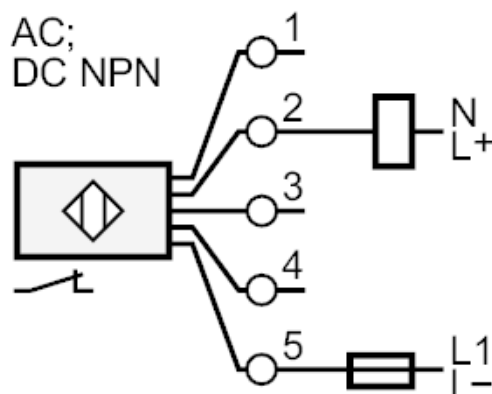
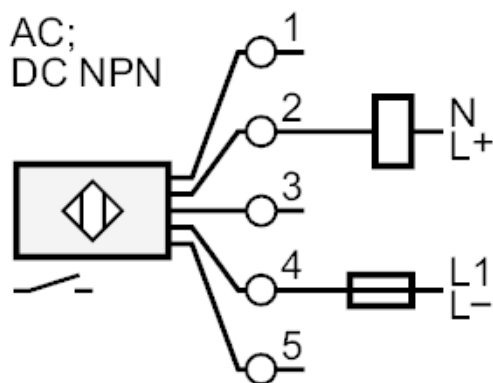
Remarks	Recommendation: Check the safe functioning of the unit after a short circuit.
---------	---

Pack quantity	1 pcs.
---------------	--------

Electrical connection

terminals: 0.34...2.5 mm²; Cable sheath: \varnothing 5...9 mm; Cable gland: M20 X 1.5

Connection



Note miniature fuse to IEC60127-2 sheet 1 ≤ 2 A fast acting
Place the fuse outside the hazardous area.