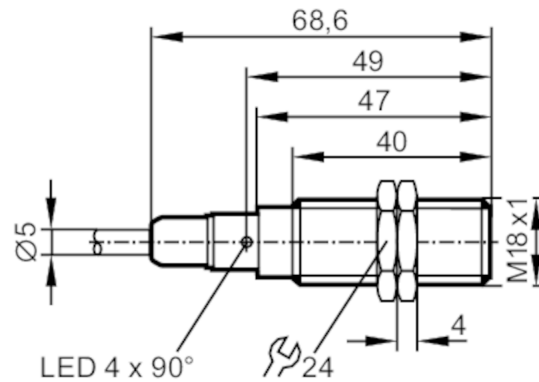


OGE302



Through-beam sensor receiver

OGE-DPKG/6M



Product characteristics

Type of light	red light
Housing	threaded type
Dimensions [mm]	M18 x 1 / L = 68.6

Application

Function principle	Through-beam sensor
--------------------	---------------------

Electrical data

Operating voltage [V]	10...36 DC
Current consumption [mA]	10
Protection class	II
Reverse polarity protection	yes
Type of light	red light

Outputs

Electrical design	PNP
Output function	dark-on mode
Max. voltage drop switching output DC [V]	2.5
Permanent current rating of switching output DC [mA]	150; (200 (...60 °C))
Switching frequency DC [Hz]	1000
Short-circuit protection	yes
Type of short-circuit protection	pulsed
Overload protection	yes

Detection zone

Transmitter / receiver	receiver
Range [m]	< 20
Range adjustable	no

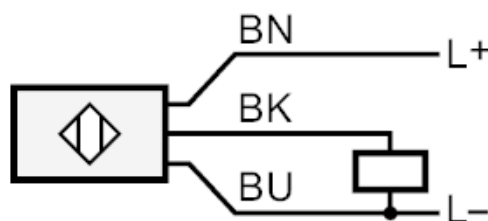
OGE302



Through-beam sensor receiver

OGE-DPKG/6M

Operating conditions		
Ambient temperature	[°C]	-25...80
Protection		IP 65; IP 67; IP 68; IP 69K
Tests / approvals		
EMC		EN 60947-5-2
MTTF	[years]	1112
Mechanical data		
Weight	[g]	275.5
Housing		threaded type
Dimensions	[mm]	M18 x 1 / L = 68.6
Thread designation		M18 x 1
Materials		housing: stainless steel (1.4404 / 316L); Sealing: EPDM
Lens material		PMMA
Displays / operating elements		
Display	switching status	1 x LED, yellow
Accessories		
Accessories (supplied)		lock nuts: 2 x
Remarks		
Remarks		operating voltage "supply class 2" according to cULus
Pack quantity		1 pcs.
Electrical connection		
Cable: 6 m, PVC; 3 x 0.34 mm ²		
Connection		



Core colours :

- BK = black
- BN = brown
- BU = blue



Through-beam sensor receiver

OGE-DPKG/6M

Diagrams and graphs

excess gain graph

