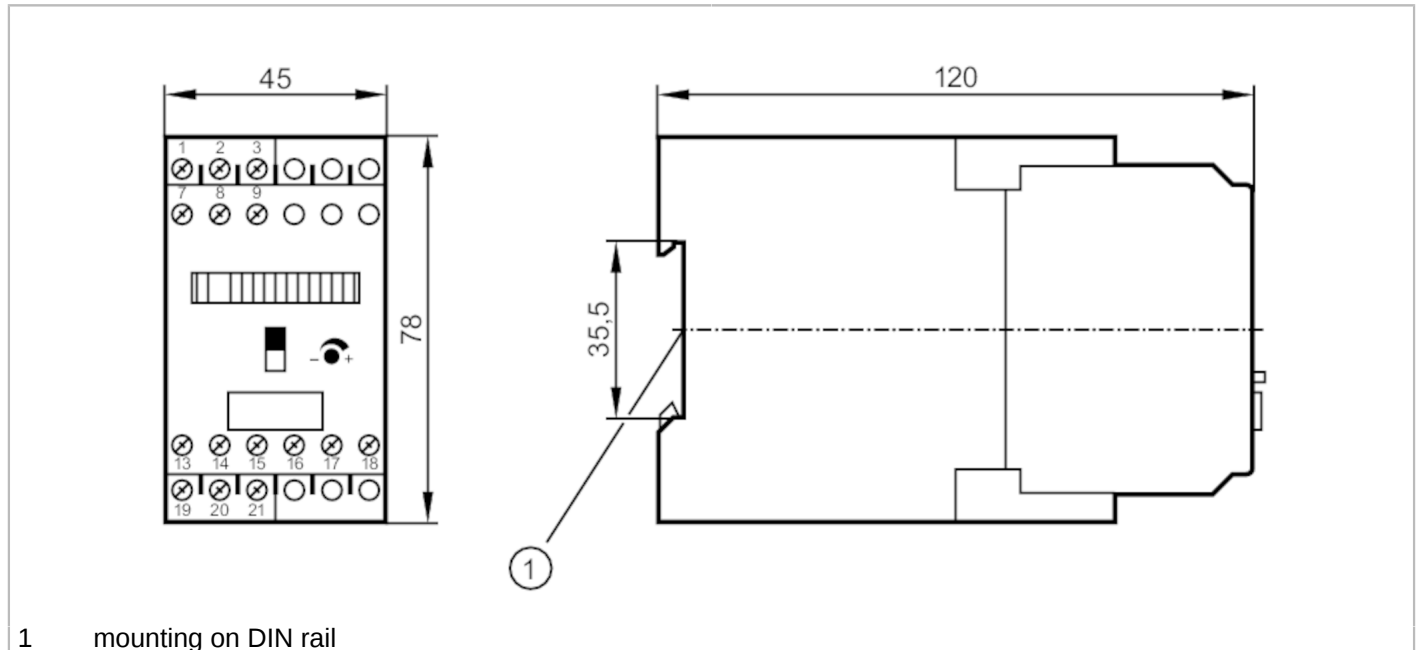


SN2303



Control monitor for flow sensors

VS2000/200VAC/EXII/1G




Application	
Application	Flow monitoring; Wire monitoring
Electrical data	
Frequency AC	[Hz] 47...63
Operating voltage tolerance	[%] -10...10
Operating voltage	[V] < 200 AC
Max. power consumption	[VA] 5
Reverse polarity protection	no
Power-on delay time	[s] 30
Number of channels	1
Outputs	
Electrical design	relay
Contact rating	4 A (250 V AC cos phi > 0,7) ; 0,2 A (250 V DC); 4 A (24 V DC)
Switching function flow monitoring	relay energised when flow is present
Switching function wire break monitoring	relay de-energised in case of wire break
Short-circuit proof	no
Overload protection	no
Software / programming	
Adjustment of the switch point	potentiometer
Selection liquids / gases	slide switch

SN2303



Control monitor for flow sensors

VS2000/200VAC/EXI/1G

Operating conditions		
Ambient temperature	[°C]	-20...60
Storage temperature	[°C]	-20...85
Protection		IP 40
Protection rating terminals		IP 20
Tests / approvals		
Approval		PTB 01 ATEX 2075; TIIS TC16593
ATEX marking		 II (1) G [Ex ia Ga] IIC
MTTF	[years]	248
Mechanical data		
Weight	[g]	542.5
Housing		housing for DIN rail mounting
Dimensions	[mm]	78 x 45 x 120
Materials		plastics
Displays / operating elements		
Display	function	11 x LED
	switching status	LED, red
Electrical connection		
Required protection		miniature fuse to IEC60127-2 sheet 1; ≤ 5 A; fast acting; Place the fuse outside the hazardous area.
Remarks		
Remarks		Caution The control monitor must be mounted outside the hazardous area. Recommendation Check the safe functioning of the unit after a short circuit.
Pack quantity		1 pcs.

SN2303



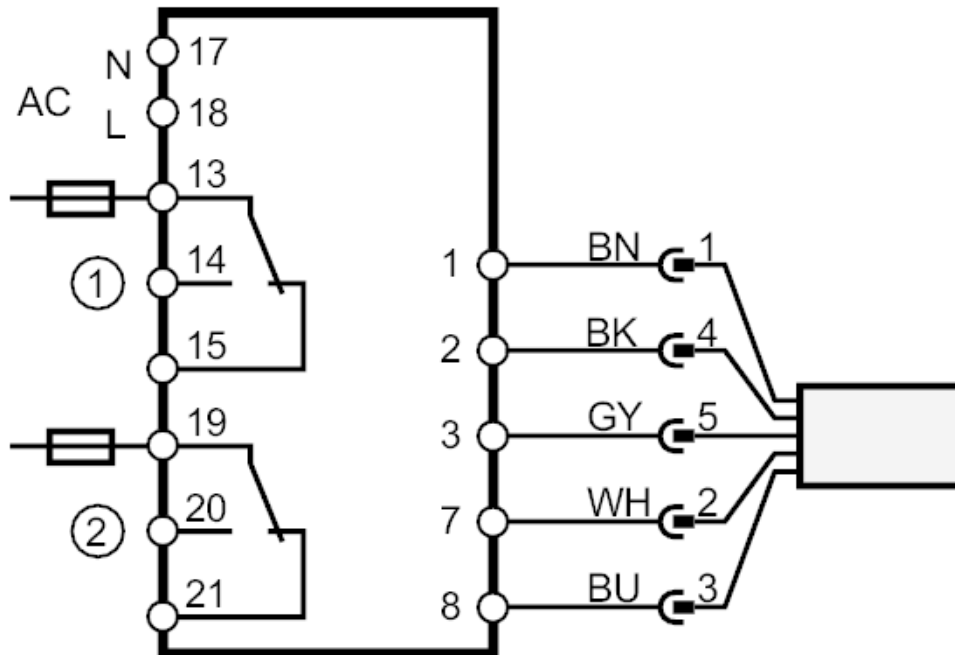
Control monitor for flow sensors

VS2000/200VAC/EXI/1G

Electrical connection

terminals: 15 x ...2.5 mm²

Connection



1 Flow monitoring

2 Wire monitoring

Note miniature fuse to IEC60127-2 sheet 1 \leq 5 A fast acting

Place the fuse outside the hazardous area.

Core colours :

BN = brown

BU = blue

BK = black

WH = white

GY = grey

SN2303



Control monitor for flow sensors

VS2000/200VAC/EXI/1G

Other data

Maximum values for control circuit

in protection rating intrinsic safety	[EEx ia] IIC	[EEx ia] IIB	[EEx ib] IIC	[EEx ib] IIB
Voltage [V]	15.8	15.8	15.8	15.8
Current [mA]	92	92	92	92
Power [mW]	680	680	680	680
External inductance [mH]	1	1	1	1
External capacitance [μ F]	0.185	1.6	0.185	1.6