

MOSA M12 MALE 90° FIELD-WIREABLE (IDC)3-pol. 0.25...0.5mm²

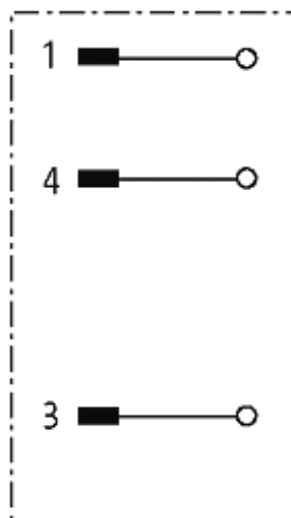
Male 90°

3-pole

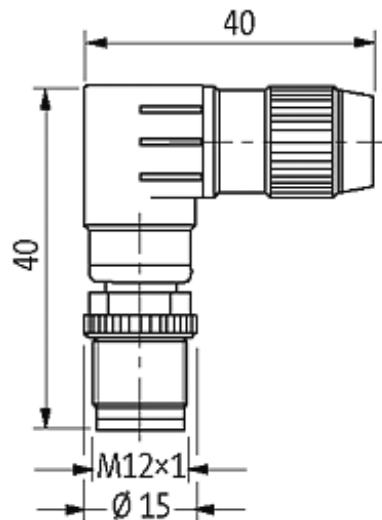
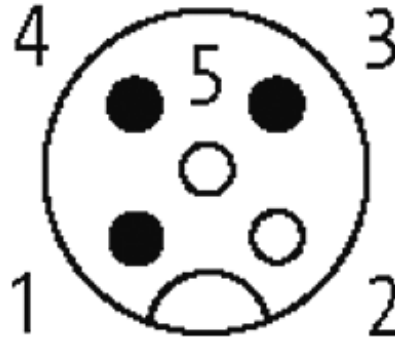
Connection cross section: 0.25...0.5 mm²

Art.-No. 7005 - M12 Lite - (plastic hexagonal screw) on request

The resistance to aggressive media should be individually tested for your application.
Further details on request.

[Link to Product](#)**Illustration**

Male



Product may differ from Image

Approvals



Form

12541

Technical Data

Operating voltage	max. 32 V AC/DC
Operating current per contact	max. 4 A
Connection cross section	0.25...0.5 mm ² (conductor diameter min. 0.1 mm)
Sealing range (cable diameter)	4...5.1 mm
Wire isolation	PVC, PP, TPE
Outer wire diameter	1.2...1.6 mm
Locking of parts	Screw thread M12 × 1 mm (recommended torque 0.6 Nm) self-

Locking of ports	securing
Protection	IP67 inserted and tightened (EN 60529)

General data

Temperature range	-25...+85 °C
Dimensions H × W × D	40×40×15 mm

Commercial data

country of origin	DE
customs tariff number	85369010
minimum order quantity	1