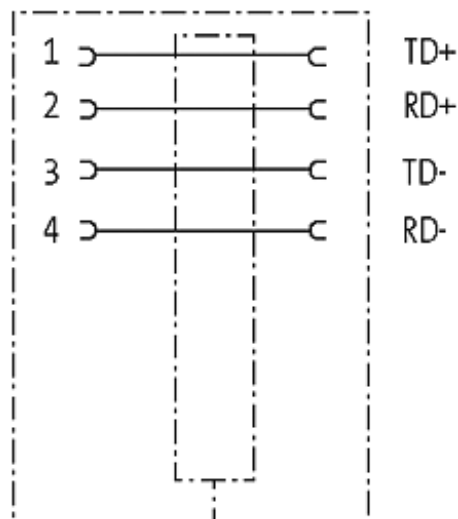


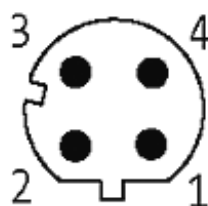
M12 GENDER-CHANGER,FEMALE/FEMALE 4 POLE D CODED

For Ethernet

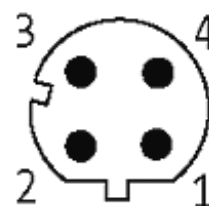
Control cabinet entry system M12
M12 (female/female)
D-coded, 4-pole, shielded, CAT 5

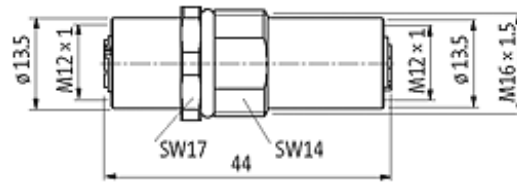
[Link to Product](#)**Illustration**

Female



Female





Product may differ from Image

More Info



Technical Data

Operating voltage	max. 60 V AC/DC
Operating current per contact	max. 4 A
Locking of ports	Screw thread M12 × 1 mm (recommended torque 0.6 Nm) self-securing
Protection	IP67 inserted and tightened (EN 60529)

General data

Temperature range	-25...+85 °C
-------------------	--------------

Commercial data

country of origin	DE
customs tariff number	85369010
minimum order quantity	1