



SILIZED FUSE LINK 500V F.SEMICONDUCTOR PROTECTION EXTRA FAST, SIZE DIVH P.T.1 1/4 INCH., 100A

Figure similar

Model		
product brand name		SENTRON
Product designation		DIAZED fuse
Design of the product		for semiconductor protection
Design of the fuse link		SILIZED fuse link, DIAZED design
General technical data		
Tripping characteristic class		quick-acting (FE)
Size of fuse system / acc. to DIN EN 60269-1		DIV
Operating class of the fuse link		gR
circuit-breaker / Design		5SD5
Protection class		
Protection class IP		IP20, with connected conductors
Switching capacity		
Switching capacity current		
<ul style="list-style-type: none"> for DC / acc. to IEC 60947-2 / Rated value 	kA	8
<ul style="list-style-type: none"> acc. to IEC 60947-2 / Rated value 	kA	50
Dissipation		
Active power loss		
<ul style="list-style-type: none"> for rated value of the current / with AC / in hot operating state / per pole 	W	41.5
Electricity		
Current / with AC / Rated value	A	100
Appearance		

Color coding of the fuse link		others
-------------------------------	--	--------

Product details

Product description		Using screw adapter or adapter sleeves
---------------------	--	--

Mechanical Design

mounting position		Any, preferably vertical
-------------------	--	--------------------------

Environmental conditions

Ambient temperature		
• minimum	°C	-5
• maximum	°C	40
• during storage / Note		Air humidity 90% at 20 °C

General Product Approval	Declaration of Conformity	Test Certificates	other
---------------------------------	----------------------------------	--------------------------	--------------



[Type Test Certificates/Test Report](#)

[Environmental Confirmations](#)

Further information

Information- and Downloadcenter (Catalogs, Brochures,...)

<http://www.siemens.com/lowvoltage/catalogs>

Industry Mall (Online ordering system)

<https://eb.automation.siemens.com/mall/en/WW/Catalog/Product/5SD520>

Service&Support (Manuals, Certificates, Characteristics, FAQs,...)

<http://support.automation.siemens.com/WW/view/en/5SD520/all>

Image database (product images, 2D dimension drawings, 3D models, device circuit diagrams, ...)

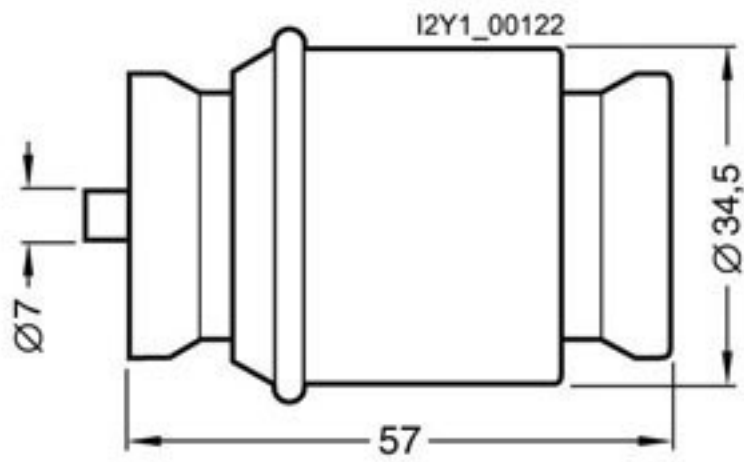
http://www.automation.siemens.com/bilddb/cax_en.aspx?mlfb=5SD520

CAX-Online-Generator

<http://www.siemens.com/cax>

Tender specifications

<http://ausschreibungstexte.siemens.com/tiplv>



last modified:

11.03.2015