

Technical Description SENSEVAL-SHT4XV1

Evaluation Board for SHT4x Temperature and Humidity Sensor

-
- Evaluation board with SHT4x RHT sensor
- Compatible with the STMicroelectronics DIL 24 socket
- Supported by the STEVAL-MKI109V3 Motherboard
- Compatible with STM32Nucleo boards and STM32Cube Software
- 1.08 V to 3.6 V supply voltage and ultra-low power consumption



Product Summary

The evaluation kit for the SHT4x RHT enables easy sensor evaluation and facilitated prototyping.

The SHT40 Evaluation Board is compatible with the STMicroelectronics DIL 24 socket and is supported by the STEVAL-MKI109V3 motherboard. The Evaluation Board is also compatible with the STM32Nucleo boards from STMicroelectronics.

This technical description is limited to the SENSEVAL-SHT4XV1 evaluation board. For more information on the SHT4x specifications and the interfacing consult the [SHT4x datasheet](#).

SHT4x is a digital sensor platform for measuring relative humidity and temperature at different accuracy classes. Its I2C interface provides several preconfigured I2C addresses and maintains an ultra-low power budget. The power-trimmed internal heater can be used at three heating levels thus enabling sensor operation in demanding environments. The four-pin dual-flat-no-leads package is suitable for surface mount technology (SMT) processing and comprises an optional on-package patented PTFE membrane or a removable protection cap.

Table of Contents

1	Hardware Interface Specification	2
1.1	Sensor detailed Pinout	2
1.2	DIL24 Pinout	2
2	Sensirion Nucleo I ² C SHT4X Driver	3
2.1	Example I ² C SHT4X Driver	3
2.2	Connecting the Evaluation board to the Nucleo F103RB	3
2.3	Using the SENSEVAL-SHT4XV1 with a DIL24 compatible STM32NUCLEO expansion board	3

1 Hardware Interface Specification

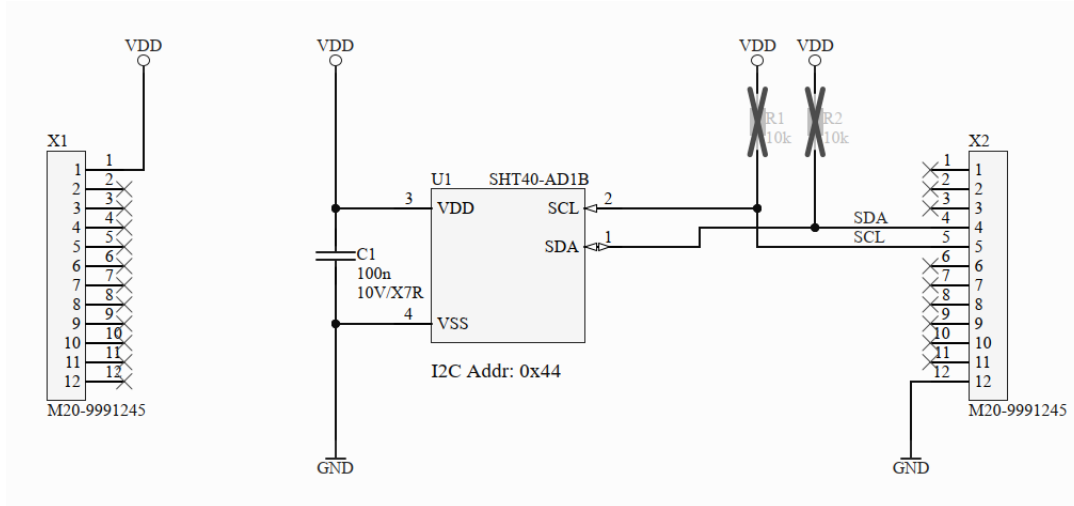


Figure 1: Schematic Diagram of the SENSEVAL-SHT4XV1

1.1 Sensor detailed Pinout

Pin	Name	Comment
1	SDA	I2C serial data input / output
2	SCL	I2C serial clock input
3	VDD	Power supply (positive supply)
4	GND	Ground (negative supply)

Table 1: Sensor pin assignment.

1.2 DIL24 Pinout

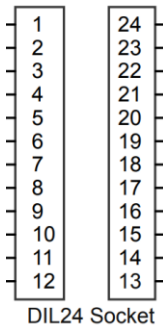


Figure 2: DIL24 Socket Circuit Diagram

Pin	Name	Comment
1	VDD	Power supply (positive supply)
13	GND	Ground (negative supply)
20	SCL	I2C serial clock input
21	SDA	I2C serial data input / output

Table 2: DIL 24 pin assignment. Unused pins are omitted from the table

2 Sensirion Nucleo I²C SHT4X Driver

2.1 Example I²C SHT4X Driver

An example of the I²C SHT4X Driver for the STM32 Nucleo Cube can be found on Sensirion's GitHub repository: [Sensirion/nucleo-i2c-sht4x: SHT4x driver for STs Nucleo F103RB board with the X-NUCLEO-IKS02A1 shield \(github.com\)](https://github.com/Sensirion/nucleo-i2c-sht4x)

2.2 Connecting the Evaluation board to the Nucleo F103RB

To connect the SENSEVAL-SHT4XV1 to the Nucleo F103RB board please use a jumper wire set (not included with the evaluation board). Table 3 shows the connection between the evaluation board Pins and the Nucleo F103RB board pins

Nucleo F103RB board	SENSEVAL-SHT4XV1	SHT4x
1	Pin +3v3	VDD
13	Pin GND	GND
20	Pin PB_8	SCL
21	Pin PB_9	SDA

Table 3: SENSEVAL- SHT4XV1 to Nucleo F103RB board Pin assignment

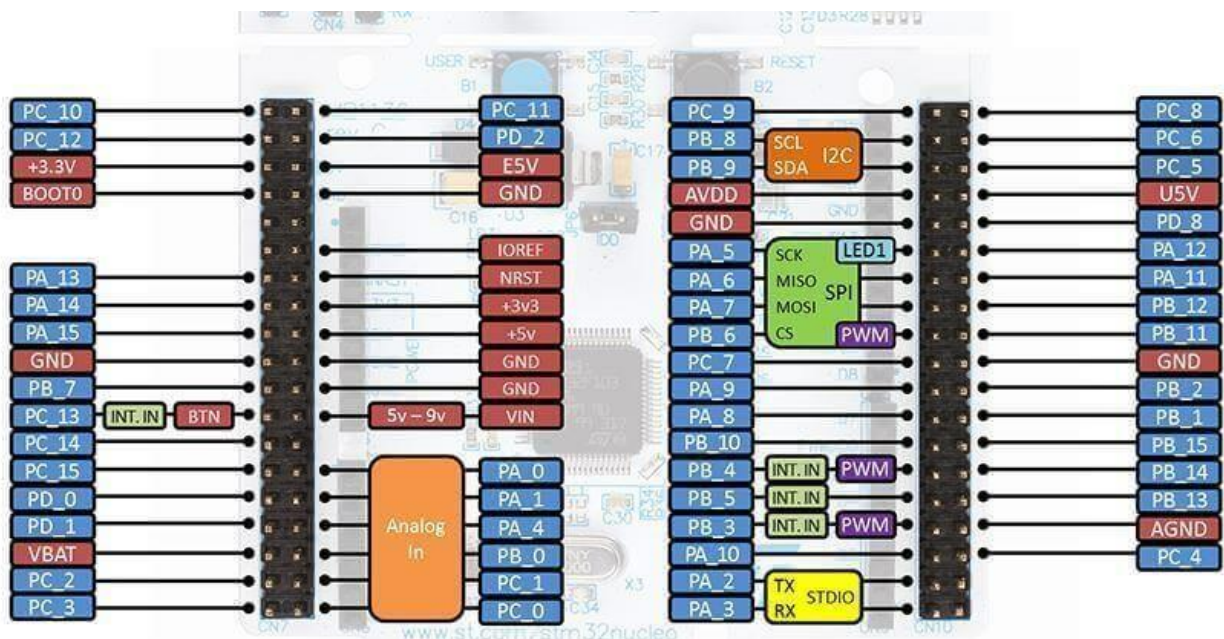


Figure 3: Nucleo F103RB Pinout diagram

Note: The Nucleo board does not contain internal pull-ups. Either you have a breakout board for your sensor that has pull-ups, or you have to add pull-ups by our own. The provided setup assumes that ~5K pull-ups are installed. As the required pull-ups heavily depend on your actual hardware setup (e.g. length wires), it's a good thing to check the signals SCL and SDA with an oscilloscope.

2.3 Using the SENSEVAL-SHT4XV1 with a DIL24 compatible STM32NUCLEO expansion board

The following STM32Nucleo expansion boards are compatible with the SENSEVAL-SHT4XV1:

- X-NUCLEO-IKS01A2
- X-NUCLEO-IKS01A3
- X-NUCLEO-IKS02A1

Figure 4, shows a picture of the SENSEVAL-SHT4XV1 mounted on the X-NUCLEO-IKS02A1 expansion board with the Nucleo F103RB board:

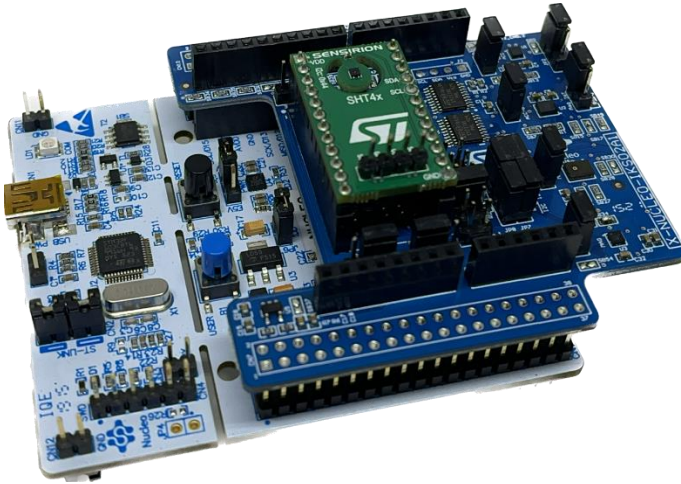


Figure 4: the SENSEVAL-SHT4XV1 mounted on the X-NUCLEO-IKS02A1 expansion board with the Nucleo F103RB board

3 Revision History

Date	Version	Page(s)	Changes
November 2022	1	All	Initial version

Important Notices

Warning, Personal Injury

Do not use this product as safety or emergency stop devices or in any other application where failure of the product could result in personal injury. Do not use this product for applications other than its intended and authorized use. Before installing, handling, using or servicing this product, please consult the data sheet and application notes. Failure to comply with these instructions could result in death or serious injury.

If the Buyer shall purchase or use SENSIRION products for any unintended or unauthorized application, Buyer shall defend, indemnify and hold harmless SENSIRION and its officers, employees, subsidiaries, affiliates and distributors against all claims, costs, damages and expenses, and reasonable attorney fees arising out of, directly or indirectly, any claim of personal injury or death associated with such unintended or unauthorized use, even if SENSIRION shall be allegedly negligent with respect to the design or the manufacture of the product.

ESD Precautions

The inherent design of this component causes it to be sensitive to electrostatic discharge (ESD). To prevent ESD-induced damage and/or degradation, take customary and statutory ESD precautions when handling this product.

See application note "ESD, Latchup and EMC" for more information.

Warranty

SENSIRION warrants solely to the original purchaser of this product for a period of 12 months (one year) from the date of delivery that this product shall be of the quality, material and workmanship defined in SENSIRION's published specifications of the product. Within such period, if proven to be defective, SENSIRION shall repair and/or replace this product, in SENSIRION's discretion, free of charge to the Buyer, provided that:

- notice in writing describing the defects shall be given to SENSIRION within fourteen (14) days after their appearance;
- such defects shall be found, to SENSIRION's reasonable satisfaction, to have arisen from SENSIRION's faulty design, material, or workmanship;

- the defective product shall be returned to SENSIRION's factory at the Buyer's expense; and
- the warranty period for any repaired or replaced product shall be limited to the unexpired portion of the original period.

This warranty does not apply to any equipment which has not been installed and used within the specifications recommended by SENSIRION for the intended and proper use of the equipment. EXCEPT FOR THE WARRANTIES EXPRESSLY SET FORTH HEREIN, SENSIRION MAKES NO WARRANTIES, EITHER EXPRESS OR IMPLIED, WITH RESPECT TO THE PRODUCT. ANY AND ALL WARRANTIES, INCLUDING WITHOUT LIMITATION, WARRANTIES OF MERCHANTABILITY OR FITNESS FOR A PARTICULAR PURPOSE, ARE EXPRESSLY EXCLUDED AND DECLINED. SENSIRION is only liable for defects of this product arising under the conditions of operation provided for in the data sheet and proper use of the goods. SENSIRION explicitly disclaims all warranties, express or implied, for any period during which the goods are operated or stored not in accordance with the technical specifications.

SENSIRION does not assume any liability arising out of any application or use of any product or circuit and specifically disclaims any and all liability, including without limitation consequential or incidental damages. All operating parameters, including without limitation recommended parameters, must be validated for each customer's applications by customer's technical experts. Recommended parameters can and do vary in different applications.

SENSIRION reserves the right, without further notice, (i) to change the product specifications and/or the information in this document and (ii) to improve reliability, functions and design of this product.

Copyright © 2021, by SENSIRION.
CMOSens® is a trademark of Sensirion
All rights reserved

Headquarters and Subsidiaries

SENSIRION AG
Laubisruestr. 50
CH-8712 Staefa ZH
Switzerland

phone: +41 44 306 40 00
fax: +41 44 306 40 30
info@sensirion.com
www.sensirion.com

Sensirion Taiwan Co. Ltd.
phone: +41 44 306 40 00
info@sensirion.com

Sensirion Inc. USA
phone: +1 312 690 5858
info-us@sensirion.com
www.sensirion.com

Sensirion Japan Co. Ltd.
phone: +81 3 3444 4940
info-jp@sensirion.com
www.sensirion.co.jp

To find your local representative, please visit www.sensirion.com/contact

Sensirion Korea Co. Ltd.
phone: +82 31 337 7700~3
info-kr@sensirion.com
www.sensirion.co.kr

Sensirion China Co. Ltd.
phone: +86 755 8252 1501
info-cn@sensirion.com
www.sensirion.com.cn/