

Full Metal Hoods

MHDM+Screw Type Connector

TECHNICAL SPECIFICATIONS

D-Sub Hood:

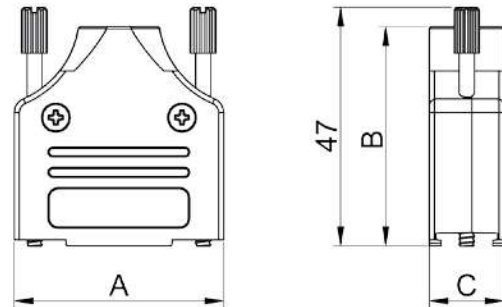
Material:	Zinc, Nickel Plated
Operating Temperature:	-40°C to +120°C
Cable Entry:	Top Entry
Thumbscrews:	UNC 4-40 (Standard)
Cable O.D:	Up to 13mm

D-Sub Screw Connector:

Insulator:	Glass filled TP, UL94 V-0
Shell:	Steel, Tin Plated
Contact pins:	Machined Brass pins 15µ" Gold plated over Ni.
AWG Wire Size:	AWG 18
Contact Plating:	Gold flash over Nickel
Operating Temperature:	-55°C to +85°C
Withstanding voltage:	>1000V Rms to 50 Hz for 1 minute
Current Rating:	7.5A
Insulator resistance:	>5000MΩ min.

Features:

- Available in sizes 9-15-25
- 360° EMI Shielding
- Re-openable



Size MHDM	Dim A	Dim B	Dim C
9-way	32,2	41,3	15,4
15-way	40,6	43,3	15,4
25-way	54,5	49,5	15,4

Ordering information:

Screw Connector D-Sub Connector Kits

Size:	P/N - Kitted:	Description:
9-way	L17MHDM09+L717DE09PST	Screw type, 9-Male
15-way	L17MHDM15+L717DA15PST	Screw type, 15-Male
25-way	L17MHDM25+L717DB25PST	Screw type, 25-Male

Size:	P/N - Kitted:	Description:
9-way	L17MHDM09+L77DE09SST	Screw type, 9-Female
15-way	L17MHDM15+L77DA15SST	Screw type, 15-Female
25-way	L17MHDM25+L77DB25SST	Screw type, 25-Female