

Rocker Switch

Single Pole

CR Series



Features

- Rugged design rated for 20 A UL (16 A VDE)
- Washable option available
- Two-color actuator available
- RoHS Compliant
- Lighted and non-lighted versions
- Minimum 100,000 operations mechanical life

Standard Parts¹

North America and Europe

CRE22F2BBALE	CRE22F2BBULE	CRE22F2PBBNE	CRE22F4FBBNE	CRE22F2BBBNE
CRE22F2FBBNE	CRE22F4BBBNE	CRE23F2BBBNE	CRE22F2BBGLE	CRE22F2FBRNE
CRE22F4DBBNE	CRE24F2HBBNE	CRE22F2BBRLE		

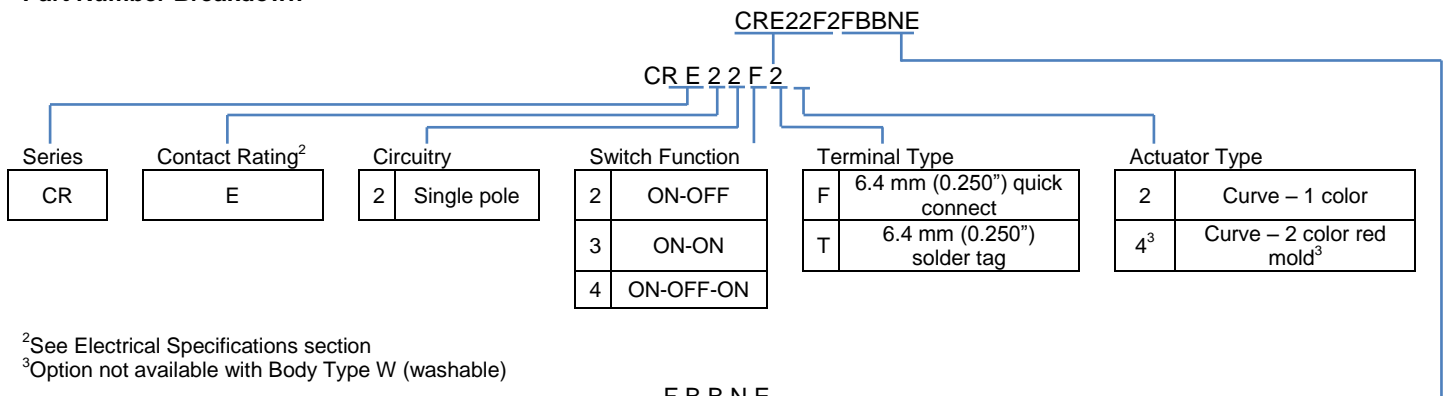
Europe

CRE22F2BBAEE	CRE22F2BBGEE	CRE22F2BBREE
--------------	--------------	--------------

¹The part number configuration matrix below provides details to the part numbers above.

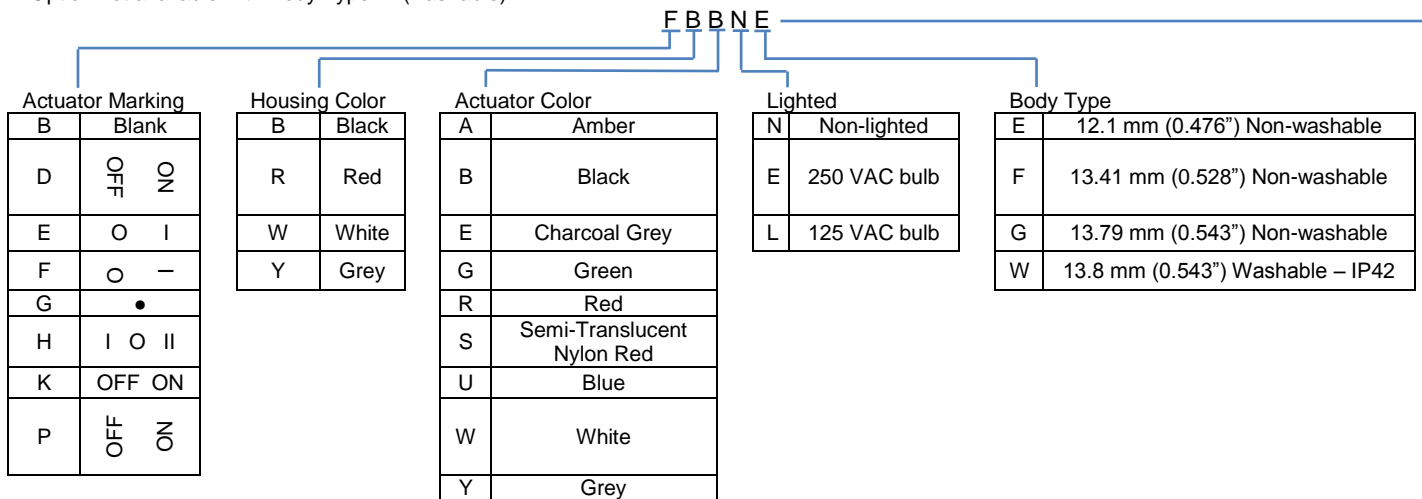
For configurable part numbers that are not listed above or for custom part numbers, contact the factory or your distributor.

Part Number Breakdown



²See Electrical Specifications section

³Option not available with Body Type W (washable)



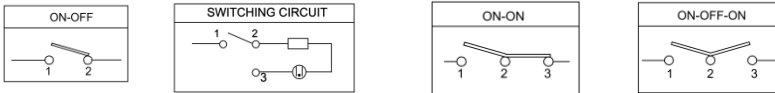
Electrical Specifications

Inrush Rating	24 A			
Dielectric Strength	1000 VAC for 1 minute			
Insulation Resistance	100 MΩ min at 500 VDC			
Initial Contact Resistance	0.020 Ω max			
Switch Function:	EN61058-1:	UL Gen Purpose 1054:	UL HP:	VDC ₄ :
2 and 3	16 (4) A 250 VAC T125/55	20 A 125 VAC / 16 A 250 VAC	¾ HP 250 VAC	20 A 14 VDC
4	16 (4) A 250 ~ μ T125/55	20 A 125 VAC / 16A 250 VAC	¾ HP 250 VAC	20 A 14 VDC
Electrical Life at Rated Load	VDE	UL		
Minimum Operations	10,000	6,000		
UL File No:	E23301			
4DC ratings not agency approved				

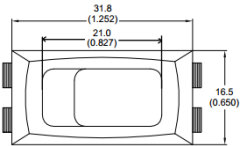
Material and Environmental Specifications

Actuator, non-lighted	Nylon 66 94V-2
Actuator, lighted	Polycarbonate
Base	Nylon 66 94V-2
Spring	Steel Wire
Contacts	Silver Alloy
Movable Arm	Silver-Plated Copper Alloy
Terminals	Tin-Plated Copper Alloy
Operating Temperature Range	-20 °C to +85 °C (-4 °F to +185 °F)

Circuitry and Switch Functions

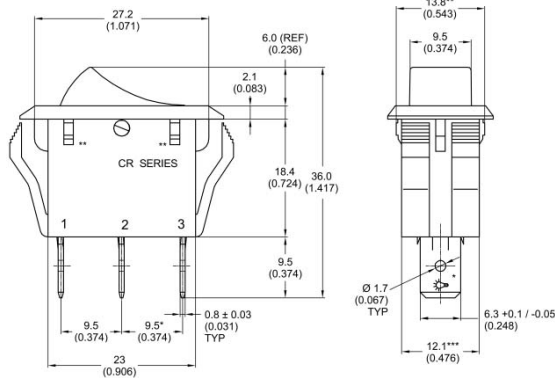


Dimensions mm (inches)



Recommended Panel Cut-Out Dimensions

Panel thickness	Body Type E	Body Type G	Body Type W
0.75 to 1.25 mm	28.6 +0.1/-0 x 12.2 +0.1/-0	28.6 +0.1/-0 x 13.9 +0.1/-0	28.6 +0.1/-0 x 13.9 +0.1/-0
1.25 to 2.00 mm	28.8 +0.1/-0 x 12.2 +0.1/-0	28.8 +0.1/-0 x 13.9 +0.1/-0	28.8 +0.1/-0 x 13.9 +0.1/-0
2.00 to 3.00 mm	29.2 +0.1/-0 x 12.2 +0.1/-0	29.2 +0.1/-0 x 13.9 +0.1/-0	29.2 +0.1/-0 x 13.9 +0.1/-0



* TERMINAL 3 NOT ON UNLIGHTED ON-OFF SWITCHES
 ** HOUSING RIBS NOT AVAILABLE ON BODY TYPE E
 *** BODY TYPES E, G, 12.8 (0.504) FOR BODY TYPE W
 ALL TOLERANCES ± 0.3 mm (0.012 in) UNLESS OTHERWISE SPECIFIED

