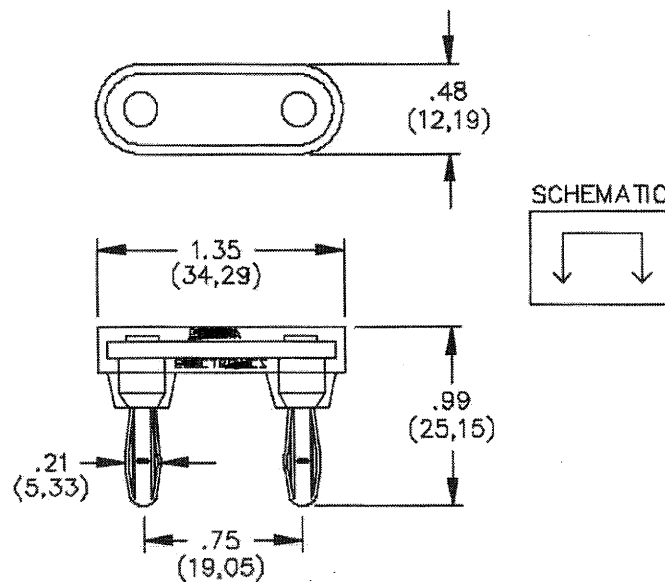


MUELLER®

MODEL: BU-P5145

Double Banana Shorting Bar



MATERIALS:

Body – Polypropylene

Banana Plugs – Nickel plated Beryllium copper

RATING:

15 Amps

Temperature: -70°C to 170°C