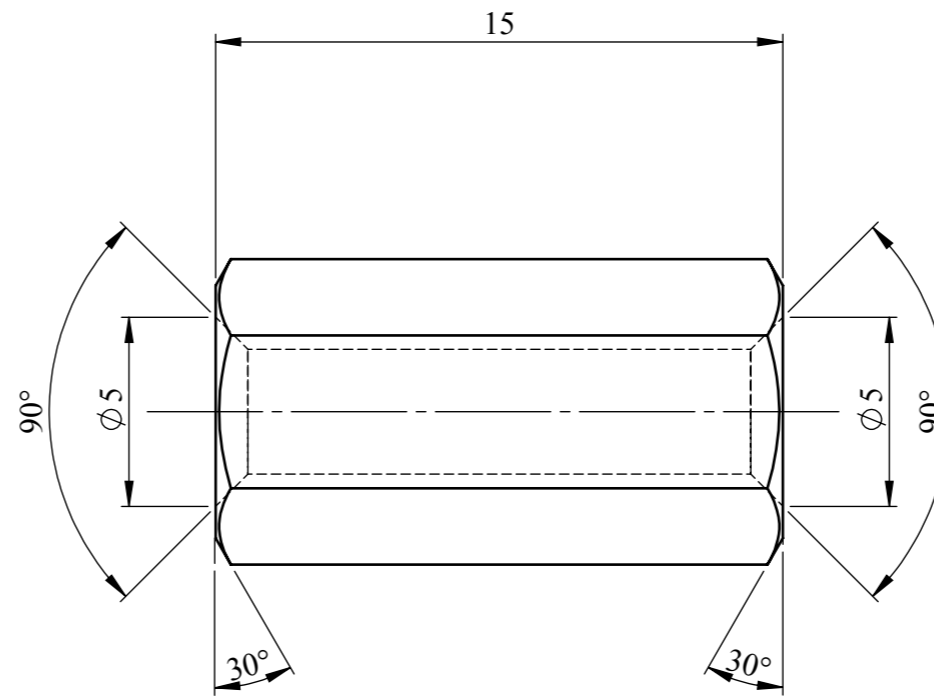
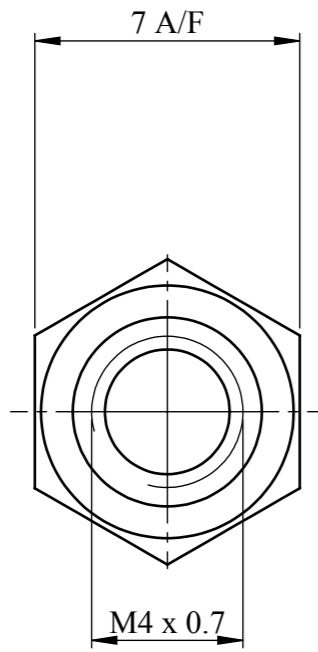


DEBUR AND BREAK SHARP EDGES

DO NOT SCALE DRAWING

REVISION



NOTES



DESIGN RIGHT. TR FASTENINGS LTD, 2003
 UNDER NO CIRCUMSTANCES MUST THIS
 DRAWING BE COPIED OR DISCLOSED,
 WITHOUT FIRST OBTAINING WRITTEN
 AUTHORITY.

UNLESS OTHERWISE SPECIFIED:
 DIMENSIONS ARE IN MILLIMETERS
 SURFACE FINISH:
 TOLERANCES:

ISO 2768 m	
NAME	DATE
DRAWN MARTIN ELLIOTT	01/12/15
CHK'D	
APPV'D	

CUSTOMER PART No

MATERIAL:

BRASS - CuZn39Pb3

HEAT TREATMENT

N/A

FINISH:

NICKEL PLATED E2E

TITLE:

M4 x 15 HEXAGON SPACE - F/F

DWG NO.

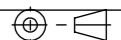
FAHSBFFM4-15-7

A

DRAWN - 01/12/15

A3

PROJECTION



SHEET 1 OF 1