

**PLEASE CHECK WWW.MOLEX.COM FOR LATEST PART INFORMATION**

**Part Number:** [0022057025](#)  
**Status:** **Active**  
**Overview:** [Mini-SPOX Wire-to-Board Connector System](#)  
**Description:** 2.50mm Pitch Mini-SPOX Wire-to-Board Header, Right-Angle, Shrouded, Friction Lock, 2 Circuits

**Documents:**

[3D Model](#) [Packaging Specification SPK-5268-001-001 \(PDF\)](#)  
[Drawing \(PDF\)](#) [RoHS Certificate of Compliance \(PDF\)](#)  
[Product Specification PS-5264-001-001 \(PDF\)](#)

**Agency Certification**

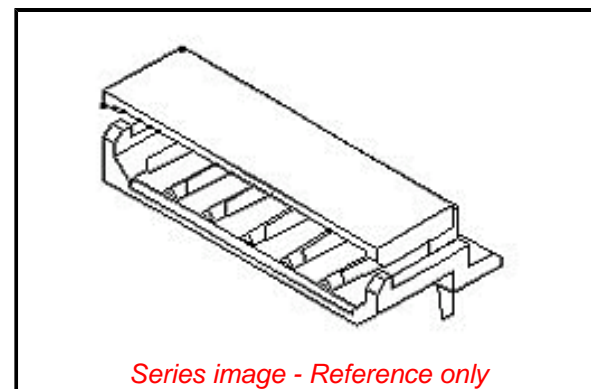
CSA LR19980  
 UL E29179

**General**

Product Family PCB Headers  
 Series [5268](#)  
 Application Signal, Wire-to-Board  
 Overview [Mini-SPOX Wire-to-Board Connector System](#)  
 Product Name Mini-SPOX  
 UPC 800753592759

**Physical**

Breakaway No  
 Circuits (Loaded) 2  
 Circuits (maximum) 2  
 Color - Resin Natural  
 Durability (mating cycles max) 30  
 First Mate / Last Break No  
 Flammability 94V-0  
 Glow-Wire Capable No  
 Guide to Mating Part No  
 Keying to Mating Part None  
 Lock to Mating Part Yes  
 Material - Plating Mating Tin  
 Material - Plating Termination Tin  
 Material - Resin Nylon  
 Net Weight 252.200/mg  
 Number of Rows 1  
 Orientation Right Angle  
 PC Tail Length 3.50mm  
 PCB Locator No  
 PCB Retention None  
 PCB Thickness - Recommended 1.60mm  
 Packaging Type Bag  
 Pitch - Mating Interface 2.50mm  
 Plating min - Mating 4.064µm  
 Plating min - Termination 4.064µm  
 Polarized to Mating Part Yes  
 Polarized to PCB No  
 Shrouded Fully  
 Stackable No  
 Surface Mount Compatible (SMC) No  
 Temperature Range - Operating -40° to +105°C  
 Termination Interface: Style Through Hole



Series image - Reference only

**EU ELV**

**Not Relevant**

**EU RoHS**

**Compliant**  
**REACH SVHC**

Not Contained Per -  
 ED/61/2018 (27 June  
 2018)

**Halogen-Free**  
**Status**

**Not Low-Halogen**

**Need more information on product  
 environmental compliance?**

Email [productcompliance@molex.com](mailto:productcompliance@molex.com)  
 Please visit the [Contact Us](#) section for any  
 non-product compliance questions.

China ROHS	Green Image
ELV	Not Relevant
Prop65	Compliant
RoHS Phthalates	Not Contained

**Search Parts in this Series**

[5268](#) Series

**Mates With**

[5264](#) Mini-SPOX Wire-to-Board Crimp  
 Housing

**Electrical**

Current - Maximum per Contact  
Voltage - Maximum

3.0A  
250V

**Material Info**

Engineering Number

5268-02A

**Reference - Drawing Numbers**

Packaging Specification  
Product Specification  
Sales Drawing

SPK-5268-001-001  
PS-5264-001-001  
SD-5268-NA

This document was generated on 09/10/2018

**PLEASE CHECK [WWW.MOLEX.COM](http://WWW.MOLEX.COM) FOR LATEST PART INFORMATION**