



Pushing Performance

HARTING Product Change Notification

PCN

Business Unit: Electric

PCN/19/016/C+N

Product range: Han / Han B

Date: 2019-04-25

Author: Gero Degner

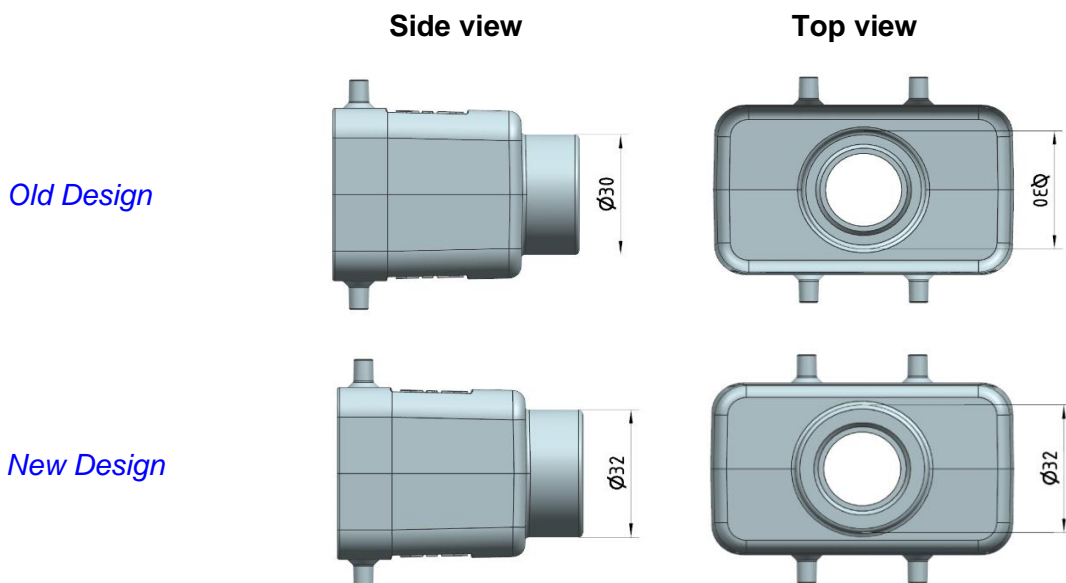
Title: Dimension change of Han 10B hood - External.docx

Details of Product Changes

1. Concerned part number (see also attachment):

09300101421	09370101421	19300101421YYC	19300101441
0930010142161	1930010142061	19308101421	19300101751
09300101421YYC	1930010142161	19300101431	19300101750ML
09300101431	1930010144060	19300101440	19302101441
09300101431YYC	1930010144160	19300101440YYC	19307101441
09300101441	19300101430	19300101730	19340030731
0930010144160	0937010142156	09628101421	19300101441YYC
09300101441YYC	19300101430YYC	09370101421YYC	1934003073100
09300101731	19340030420	19300101420	19628101421
09300101751	19307101421	19300101420YYC	19370101420YYC
09340030401	19340030421	1937010142031	19302101440
09340030404	09370101731	19300101750	19302101750
09340030701	19300101431YYC	1937010142056	19340030730
09340030703	19300101421	19628101420	19370101420

2. Description of changes / news:



The dimension of the socket will be changed from 30 mm to 32 mm. We implement the change to offer more bearing surface of M25 cable glands.



Pushing Performance

HARTING Product Change Notification

PCN

3. Impact on product specification:

The technical characteristics are not affected by these changes.

4. Scheduled date of implementation:

YYC parts: November 2019
non YYC parts: May 2019

5. Identification of change:

The partnumbers remain unaffected.