

MAKING THE RIGHT CONNECTIONS

Debox 11 – Product Code: DEKSB-011SL-BK

IP66/67 rated Junction Box with 8 x M20 threaded membrane entries and 2 non-threaded entries in base



Included

FEATURES

QUICK & EASY TO INSTALL

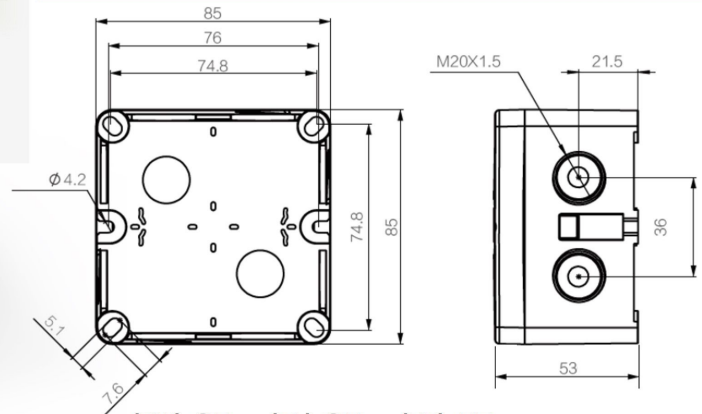
INTERNAL OR EXTERNAL USE

UNIQUE, ELONGATED, IN-SET FIXING LUGS

4 FIXING POSTS FOR PCB/MOUNTING PLATE

SUPPLIED WITH 5 x 3-WAY CONNECTORS
FITTING INTO MOULDED MOUNTINGS

Size (External Dimensions)
Material (Housing)
Material (Sealing Gaskets)
Rated Cross section
No. of Entries
Voltage
Current
IP Rating (Using membrane entry)
IP Rating (Using cable gland & threaded entry)
Cable Gland Size/Hylec Product Code
Temperature Minimum
Temperature Maximum
Glow Wire Test
Ø Cable diameter min
Ø Cable diameter max
Product Colour



(W) 85 x (D) 85 x (H) 53 mm
Polypropylene UL94-V0
TPE
4mm²
8 & 2 in Base
400V
32A
IP66
IP67
M20 / 50.620. PA/SW
-30°C
100°C
750°C
3mm
12mm
Black RAL9005