

RoHS
Compliant



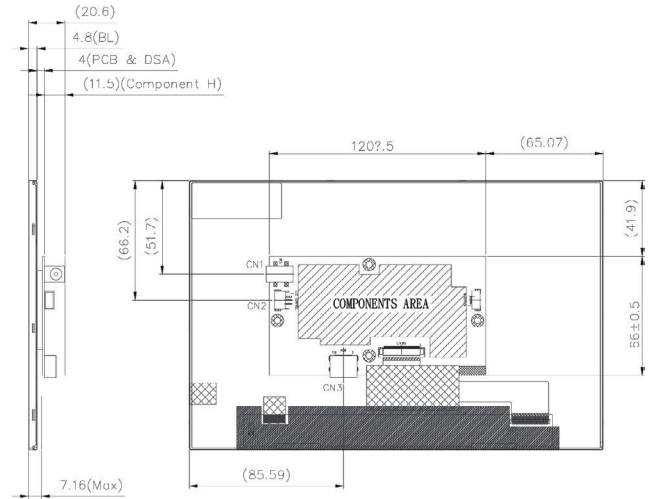
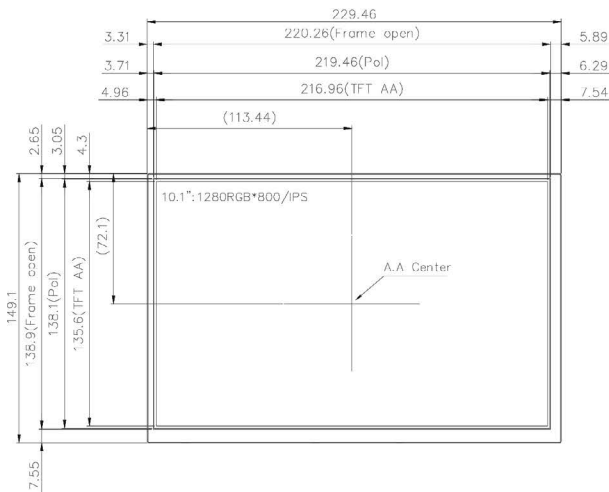
Description

MP010835 is a 10.1 (16:10) inch diagonally measured active display with high resolution WXGA 1280x800 display and high brightness. This model is composed of a TFT LCD panel, backlight system and HDMI interface . It is designed to make Raspberry Pi usage easy. You can simply use this TFT display with your Raspberry Pi, or also you can use this as computer display with any device which has HDMI output. This 10.1" TFT model comes in 1280x800 resolution that would be great for embedded computing usage too.

Features

No.	Item	Specification	Unit
1	Panel Size	10.1"	Inch
2	Number of Pixels	1280 (W) × RGB × 800 (H)	Pixels
3	Active Area	216.96 (W) × 135.6 (H)	mm
4	Pixel Pitch	0.1695 (W) × 0.1695 (H)	mm
5	Outline Dimension	229.46 (W) × 149.1 (H) × 20.6 (T)	mm
6	Number of Colours	16.7M	--
7	Display Mode	IPS / Normally Black / Transmissive	--
8	View Direction	Free direction	--
9	Display Format	RGB vertical stripe	--
10	Surface Treatment	HC	--
11	Contrast Ratio	900 (Typ.)	--
12	Luminance (cd/m ²)	1400 (Typ.)	cd/m ²
13	Video Input Interface	HDMI (Compliance HDMI V1.4)	--
14	Backlight	White LED	--
15	Operation Temperature	-30 to 80	°C
16	Storage Temperature	-30 to 80	°C
17	Weight	(285)	g

Mechanical Specification



Pin Description

Power Input(CN1) [DC JACK:SCD480CCS000B00GE or compatible]

Pin No.	Symbol	I/O	Function	Note
1	12V	P	Power Supply +12V	
2	GND	P	Ground	

Back-light Control(CN2) [WAFER P2.0mm:2001S-03-RTE or compatible]

Pin No.	Symbol	I/O	Function	Note
1	GND	P	Ground	
2	PWM	I	Back-light Dimming control (internal pull up to 3.3V)	*1
3	LED_EN	I	No connection. (internal control)	

*1: When PWM LED_EN not connected, back-light default is typical brightness.

HDMI (CN3) [HDMI A TYPE:PHD0911A2301E or compatible]

Pin No.	Symbol	I/O	Function
1	TMDS 2+	I	TMDS Data2+
2	GND	P	TMDS Data2 Shield
3	TMDS 2-	I	TMDS Data2-
4	TMDS 1+	I	TMDS Data1+
5	GND	P	TMDS Data1 Shield
6	TMDS 1-	I	TMDS Data1-
7	TMDS 0+	I	TMDS Data0+
8	GND	P	TMDS Data0 Shield
9	TMDS 0-	I	TMDS Data0-
10	TMDS CLK+	I	TMDS Clock+
11	GND	P	TMDS Clock Shield
12	TMDS CLK-	I	TMDS Clock-
13	N.C.	-	N.C.
14	N.C.	-	N.C.
15	DDC_SCL	I	IIC SCL to EDID ROM
16	DDC_SDA	I/O	IIC SDA to EDID ROM
17	GND	P	DDC/CEC Ground
18	HD_5V	P	+5V Power
19	HPD	O	Hot Plug Detect

Absolute Maximum Ratings

Electrical Absolute Rating

HDMI TFT LCD Module

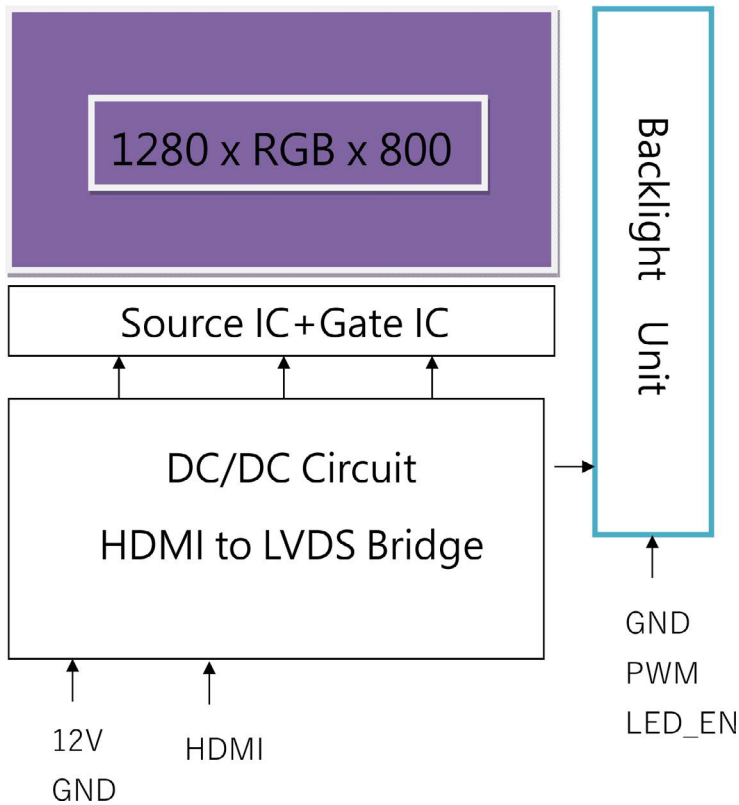
Item	Symbol	Values		Unit
		Min	Max.	
Power supply voltage	12V	10	14	V

Environment Absolute Rating

Item	Symbol	Values		Unit	Note
		Min	Max.		
Operating Temperature	Top	-30	80	°C	Ambient temperature
Storage Temperature	Tst				

Block Diagram

TFT LCD Module



Electrical Characteristics

HDMI TFT LCD Module

Item	Symbol	Values			Unit	Note
		Min	Typ.	Max.		
Supply Voltage	12V	11	12	13	V	
PWM frequency		100	-	10K	Hz	
PWM Duty		17	-	100	%	<17%=OFF
PWM Dimming Voltage	V _{PWM-IH}	3.3	-	8	V	
	V _{PWM-IL}	-	0.3	-		
LED Enable Control Voltage	V _{LED_EN-IH}	3.3	-	12		
	V _{LED_EN-IL}	-	-	0.5		
Supply Current	ICC(12V)	-	720	770	mA	
LED life time		50000	-	-	Hr	(1)

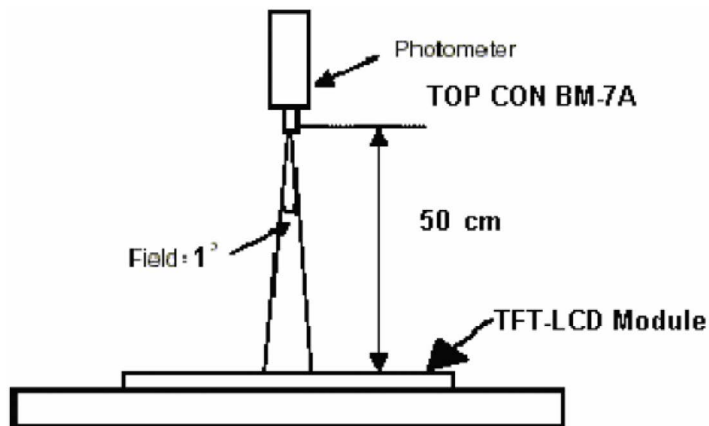
Note The "LED life time" is defined as the module brightness decrease to 50% original brightness that the ambient temperature is 25°C 60% RH.

Optical Characteristics

Item		Symbol	Condition	Min.	Typ.	Max.	Unit
Brightness		--	Note1, Note 3, ($\theta = 0^\circ$, Normal Viewing Angle)	1120	1400	--	cd/m ²
Uniformity		B-uni		75	80	-	%
Contrast Ratio		CR		700	900	--	--
NTSC				--	73		%
Response Time		Tr+Tf		--	25	35	ms
Colour Chromaticity	White	Wx	Center CR \geq 10	0.275	0.315	0.355	--
		Wy		0.31	0.35	0.390	
View angle	Horizontal	θ_{x+}	Center CR \geq 10	70	80	--	
		θ_{x-}					
	Vertical	θ_{Y+}					
		θ_{Y-}					

Note: The following optical specifications shall be measured in a darkroom or equivalent state (ambient luminance \leq 1 lux, and at room temperature). The operation temperature is $25^\circ\text{C} \pm 2^\circ\text{C}$. The measurement method is shown in Note1.

Note1: The method of optical measurement

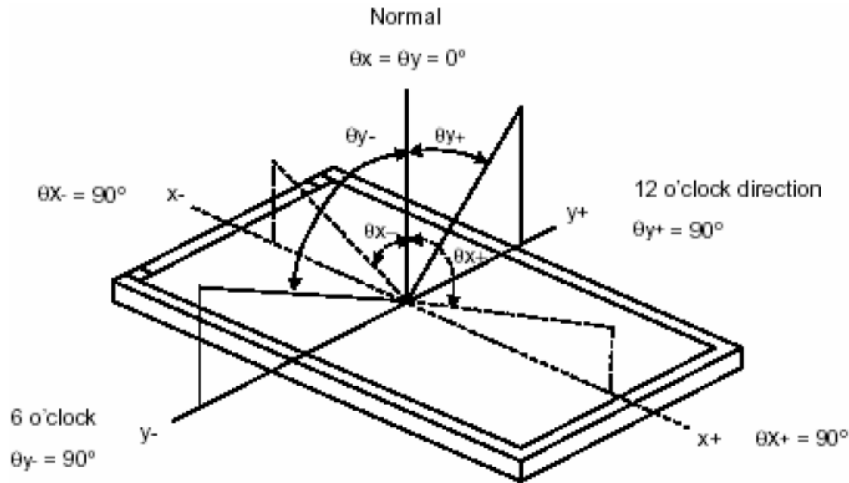


Note2: Measured at the center area of the panel and at the viewing angle of the $\theta_x = \theta_y = 0^\circ$

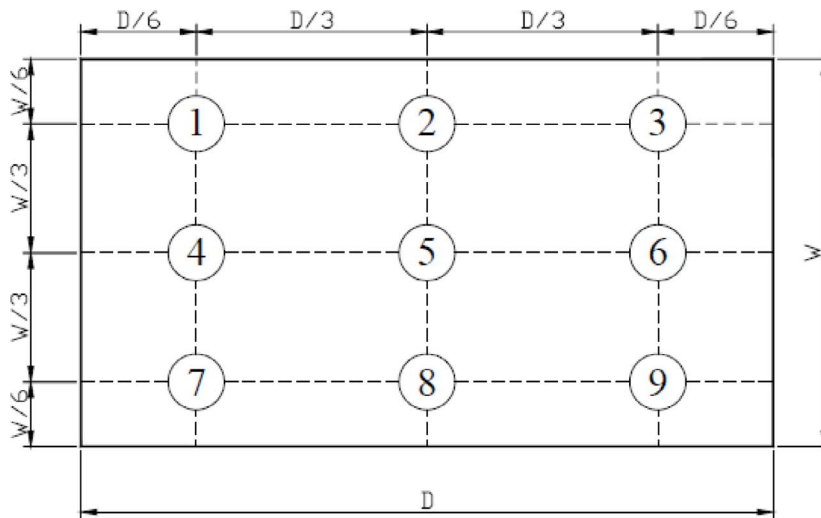
Note3: Definition of Contrast Ratio (CR):

CR = Luminance with all pixels in white state \div Luminance with all pixels in Black state

Definition of Viewing Angle



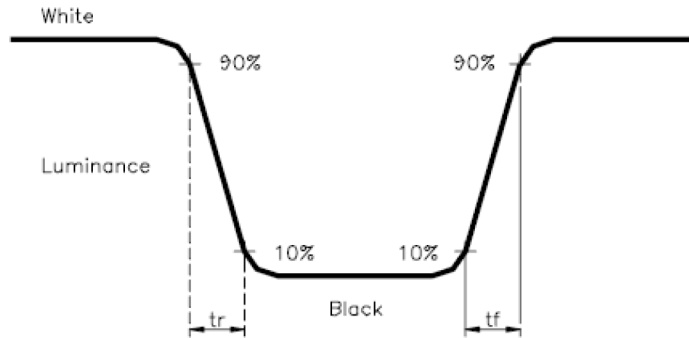
Definition of Brightness Uniformity (B-uni)



B-uni = (Minimum luminance of 9 points ÷ Maximum luminance of 9 points) × 100%

Note 6: Definition of Response Time:

The Response Time is set initially by defining the "Rising Time (Tr)" and the "Falling Time (Tf)" respectively. Tr and Tf are defined as following figure



Note 7: Definition of Chromaticity:

The color coordinates (Wx,Wy),(Rx,Ry),(Gx,Gy),and (Bx,By) are obtained with all pixels in the viewing field at white, red, green, and blue states, respectively.

Part Number Table

Description	Part Number
TFT LCD, 10.1", HDMI, 1280 × 800	MP010835

Important Notice : This data sheet and its contents (the "Information") belong to the members of the AVNET group of companies (the "Group") or are licensed to it. No licence is granted for the use of it other than for information purposes in connection with the products to which it relates. No licence of any intellectual property rights is granted. The Information is subject to change without notice and replaces all data sheets previously supplied. The Information supplied is believed to be accurate but the Group assumes no responsibility for its accuracy or completeness, any error in or omission from it or for any use made of it. Users of this data sheet should check for themselves the Information and the suitability of the products for their purpose and not make any assumptions based on information included or omitted. Liability for loss or damage resulting from any reliance on the Information or use of it (including liability resulting from negligence or where the Group was aware of the possibility of such loss or damage arising) is excluded. This will not operate to limit or restrict the Group's liability for death or personal injury resulting from its negligence. Multicomp Pro is the registered trademark of Premier Farnell Limited 2019.