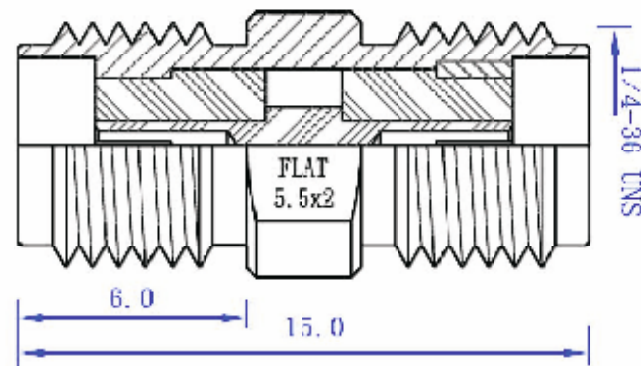


Datenblatt



Impedance	50Ω
Frequency range	0~15 GHz
Voltage rating	RG-55,58,141,142,223,303: 500; volts peak RG-122,174,188,316,375: 375 volts peak
VSWR (straight connectors)	RG-55 group: 1.15+0.011(GHz) RG-178 group: 1.20+0.251(GHz)
other (MIL-C-38012 cable connectors)	Contact resistance Center contact: 2.0 milliohm Body contact: 2.0 milliohm Insertion loss: 0.03√f(GHz) dB max Insulation resistance: 5000 megohms(minh)

NOTE: FINISH (PLATING THICKNESS IN MICRO-INCHES)

1. BRASS PER JIS-C3604
2. PH/BRONZE PER ASTM B196 UNS C17300
3. TEFLON PER ASTM D1457 AND ASTM D1719
4. CONNECTOR INTERFACE PER MIL-STD-348A
5. PART TO BE CLEAN AND FREE BURRS
6. NICKEL PL. 70 μ" THICK OVER COPPER STRIKE
7. GOLD PL. 1-8 μ" OVER NICKEL PL. 70 μ" THICK OVER COPPER STRIKE

3	Insulator	Teflon	White
2	Contact	PH/Bronze	Gold
1	Body	Brass	Gold
No	Description	Material	Finish